

COLANDER

Chair

Base finish:

Aluminium lacquered in same colour as seat

Body finish:

White polypropylene (PP01)
 Black polypropylene (PP03)
 Beige polypropylene (PP05)
 Red coral polypropylene (PP07)
 Grey basalt polypropylene (PP10)
 Light grey polypropylene (PP11)
 Zinc yellow polypropylene (PP12)
 Meadow green polypropylene (PP13)

Lips cushion cover finish:

A = COM (Customer fabric)
 B = Field 2

Note:

FEET:

Standard in hard plastic. On request we supply feet with felt insert for wooden floors.

For info on fabric composition, see inside cover.

For COM/COL orders, see inside cover.

Lips cushion consumption: 0,55 ml (H. 140 cm).

STACKABILITY:

- Up to 10 pcs.
 - On cart up to 12 pcs.

Reinforced packaging, see inside cover.

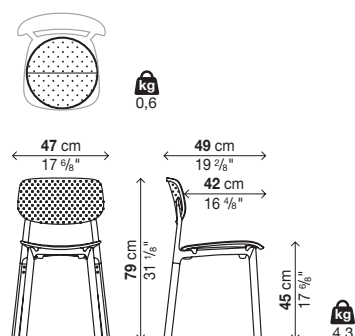
Code	Base	Body										pack	m ³	Kg
		Polypropylene												
05CLN01	Lacquered aluminium in same colour as seat											1	0,35	

4 chairs in each package (Kg. 20,7) / 3 (Kg. 16,4) / 2 (Kg. 12,1) / 1 chair (Kg. 7,8)

Optionals

Code	Description	Cover											pack	m ³	Kg	
		A	B	C	D	E	F	G	H	L1	L2	L3				
20LIR01	LIPS-R removable cushion (not removable cover)			-	-	-	-	-	-	-	-	-	-	1	0,01	1
02PIE02	Set of felt feet													-	-	-
20CAR03	Chair cart (black lacquered steel)													1	0,12	19

LIPS-R (20LIR01)



COLANDER

Stool

Base finish:

Aluminium lacquered in same colour as seat

Body finish:

White polypropylene (PP01)
 Black polypropylene (PP03)
 Beige polypropylene (PP05)
 Red coral polypropylene (PP07)
 Grey basalt polypropylene (PP10)
 Light grey polypropylene (PP11)
 Zinc yellow polypropylene (PP12)
 Meadow green polypropylene (PP13)

Lips cushion cover finish:

A = COM (Customer fabric)
 B = Field 2

Note:

FEET:

Standard in hard plastic. On request we supply feet with felt insert for wooden floors.

For info on fabric composition, see inside cover.

For COM/COL orders, see inside cover.

Lips cushion consumption: 0,55 ml (H. 140 cm).

STACKABILITY:

- Up to 6 pcs.

Reinforced packaging, see inside cover.

Low stool (seat height 66 cm)

Code	Base	Body										pack	m ³	Kg
		Polypropylene												
05CLN11	Lacquered aluminium in same colour as seat											1	0,36	

2 stools in each package (Kg.15) / 1 stool (Kg.9,5)

High stool (seat height 76 cm)

Code	Base	Body										pack	m ³	Kg
		Polypropylene												
05CLN12	Lacquered aluminium in same colour as seat											1	0,44	

2 stools in each package (Kg.15,4) / 1 stool (Kg.9,7)

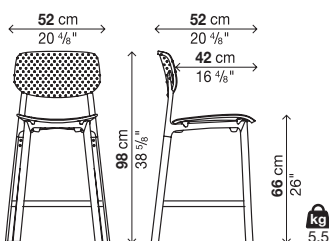
Optionals

Code	Description	Cover											pack	m ³	Kg		
		A	B	C	D	E	F	G	H	L1	L2	L3					
20LIR01	LIPS-R removable cushion (not removable cover)			-	-	-	-	-	-	-	-	-	-	-	1	0,01	1
02PIE02	Set of felt feet														-	-	-

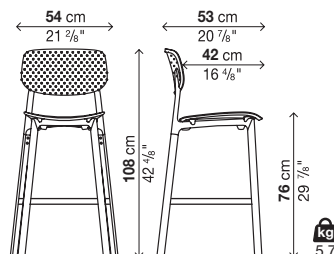
LIPS-R (20LIR01)



05CLN11



05CLN12



COLANDER WOOD

Chair

Base finish:

White lacquered aluminium (colour reference "White polypropylene PP01")
 Black lacquered aluminium (colour reference "Black polypropylene PPO3")

Body finish:

Wood, european oak effect
 Wood, walnut effect
 Wood, black oak effect

Lips cushion cover finish:

A = COM (Customer fabric)
 B = Field 2

Note:

FEET:
 Standard in hard plastic. On request we supply feet with felt insert for wooden floors.

For info on fabric composition, see inside cover.

For COM/COL orders, see inside cover.

Lips cushion consumption: 0,55 ml (H. 140 cm).

STACKABILITY:

- Up to 4 pcs.
 - On cart up to 4 pcs.

Reinforced packaging, see inside cover.

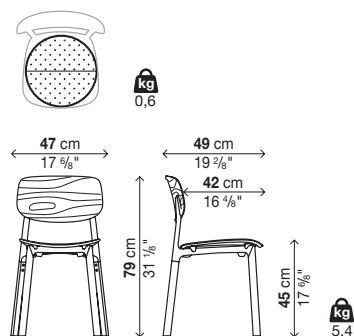
Code	Base	Body			pack	m ³	Kg
		European oak	Walnut	Black oak			
05CLN31	Lacquered aluminium				1	0,35	

4 chairs in each package (Kg. 25,1) / 3 (Kg. 19,7) / 2 (Kg. 14,3) / 1 chair (Kg. 8,9)

Optionals

Code	Description	Cover										pack	m ³	Kg	
		A	B	C	D	E	F	G	H	L1	L2				L3
20LIR01	LIPS-R removable cushion (not removable cover)			-	-	-	-	-	-	-	-	-	1	0,01	1
02PIE02	Set of felt feet												-	-	-
20CAR03	Chair cart (black lacquered steel)												1	0,12	19

LIPS-R (20LIR01)



COLANDER WOOD

Stool

Base finish:

White lacquered aluminium (colour reference "White polypropylene PP01")

Black lacquered aluminium (colour reference "Black polypropylene PP03")

Body finish:

Wood, european oak effect

Wood, walnut effect

Wood, black oak effect

Lips cushion cover finish:

A = COM (Customer fabric)

B = Field 2

Note:

FEET:

Standard in hard plastic. On request we supply feet with felt insert for wooden floors.

For info on fabric composition, see inside cover.

For COM/COL orders, see inside cover.

Lips cushion consumption: 0,55 ml (H. 140 cm).

STACKABILITY:

- Up to 4 pcs.

Reinforced packaging, see inside cover.

Low stool (seat height 66 cm)

Code	Base	Body			pack	m ³	Kg
		European oak	Walnut	Black oak			
05CLN42	Lacquered aluminium				1	0,36	

2 stools in each package (Kg. 17) / 1 stool (Kg. 10,5)

High stool (seat height 76 cm)

Code	Base	Seat and back			pack	m ³	Kg
		European oak	Walnut	Black oak			
05CLN43	Lacquered aluminium				1	0,44	

2 stools in each package (Kg. 17,4) / 1 stool (Kg. 10,7)

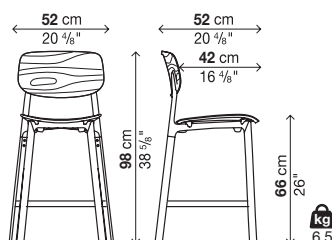
Optionals

Code	Description	Cover											pack	m ³	Kg
		A	B	C	D	E	F	G	H	L1	L2	L3			
20LIR01	LIPS-R removable cushion (not removable cover)			-	-	-	-	-	-	-	-	-	1	0,01	1
02PIE02	Set of felt feet												-	-	-

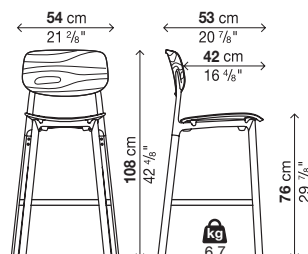
LIPS-R (20LIR01)



05CLN42



05CLN43



COLANDER PADDED

Chair

Base finish:

White lacquered aluminium (colour reference "White polypropylene PP01")
 Black lacquered aluminium (colour reference "Black polypropylene PP03")
 Beige lacquered aluminium (colour reference "Beige polypropylene PP05")
 Coral red lacquered aluminium (colour reference "Coral red polypropylene PP07")
 Basalt grey lacquered aluminium (colour reference "Basalt grey polypropylene PP10")
 Light grey lacquered aluminium (colour reference "Light grey polypropylene PP11")
 Zinc yellow lacquered aluminium (colour reference "Zinc yellow polypropylene PP12")
 Meadow green lacquered aluminium (colour reference "Meadow green polypropylene PP13")

Finish of cover:

A = Valencia (synthetic leather)
 B = Field 2, COM (Customer fabric)
 C = Merit, COL (Customer leather)
 D = Clara 2, Patio, Regal, Remix 2
 E = Curmi, Hero, Melange Nap
 F = Canvas 2, Scuba, Steelcut trio 3
 G = Divina Melange 3, Hallingdal 65
 H = Twill Weave

Note:

Seat upholstered in NON-REMOVABLE fabric.

For info on fabric composition, see inside cover.

For COM/COL orders, see inside cover.

COM consumption: 0,6 ml (H. 140 cm).
 COL consumption: 0,8 mq.

FEET:

Standard in hard plastic. On request we supply feet with felt insert for wooden floors.

Seat NOT stackable.

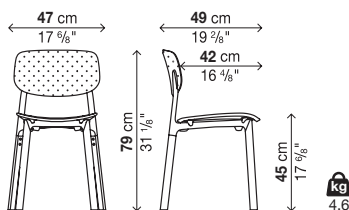
Reinforced packaging, see inside cover.

Code	Base	Cover											pack	m ³	Kg		
		A	B	C	D	E	F	G	H	L1	L2	L3					
05CLN04	Lacquered aluminium												-	-	-	1	0,21

2 chairs in each package (Kg. 12,2) / 1 chair (Kg. 7,6)

Optionals

Code	Description	pack	m ³	Kg
02PIE02	Set of felt feet	-	-	-



COLANDER PADDED

Stool

Base finish:

- White lacquered aluminium (colour reference "White polypropylene PP01")
- Black lacquered aluminium (colour reference "Black polypropylene PP03")
- Beige lacquered aluminium (colour reference "Beige polypropylene PP05")
- Coral red lacquered aluminium (colour reference "Coral red polypropylene PP07")
- Basalt grey lacquered aluminium (colour reference "Basalt grey polypropylene PP10")
- Light grey lacquered aluminium (colour reference "Light grey polypropylene PP11")
- Zinc yellow lacquered aluminium (colour reference "Zinc yellow polypropylene PP12")
- Meadow green lacquered aluminium (colour reference "Meadow green polypropylene PP13")

Finish of cover:

- A = Valencia (synthetic leather)
- B = Field 2, COM (Customer fabric)
- C = Merit, COL (Customer leather)
- D = Clara 2, Patio, Regal, Remix 2
- E = Curmi, Hero, Melange Nap
- F = Canvas 2, Scuba, Steelcut trio 3
- G = Divina Melange 3, Hallingdal 65
- H = Twill Weave

Note:

Seat upholstered in NON-REMOVABLE fabric.

For info on fabric composition, see inside cover.

For COM/COL orders, see inside cover.

COM consumption: 0,6 ml (H. 140 cm).
COL consumption: 0,8 mq.

FEET:

Standard in hard plastic. On request we supply feet with felt insert for wooden floors.

Seat NOT stackable.

Reinforced packaging, see inside cover.

Low stool (seat height 66 cm)

Code	Base	Cover											pack	m ³	Kg			
		A	B	C	D	E	F	G	H	L1	L2	L3						
05CLN13	Lacquered aluminium												-	-	-	1	0,44	9,7

1 stool in each package

High stool (seat height 76 cm)

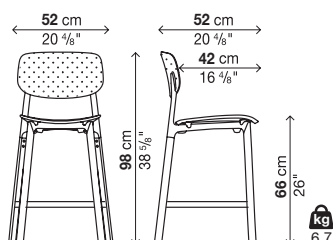
Code	Base	Cover											pack	m ³	Kg			
		A	B	C	D	E	F	G	H	L1	L2	L3						
05CLN14	Lacquered aluminium												-	-	-	1	0,44	10

1 stool in each package

Optionals

Code	Description	pack	m ³	Kg
02PIE02	Set of felt feet	-	-	-

05CLN13



05CLN14

