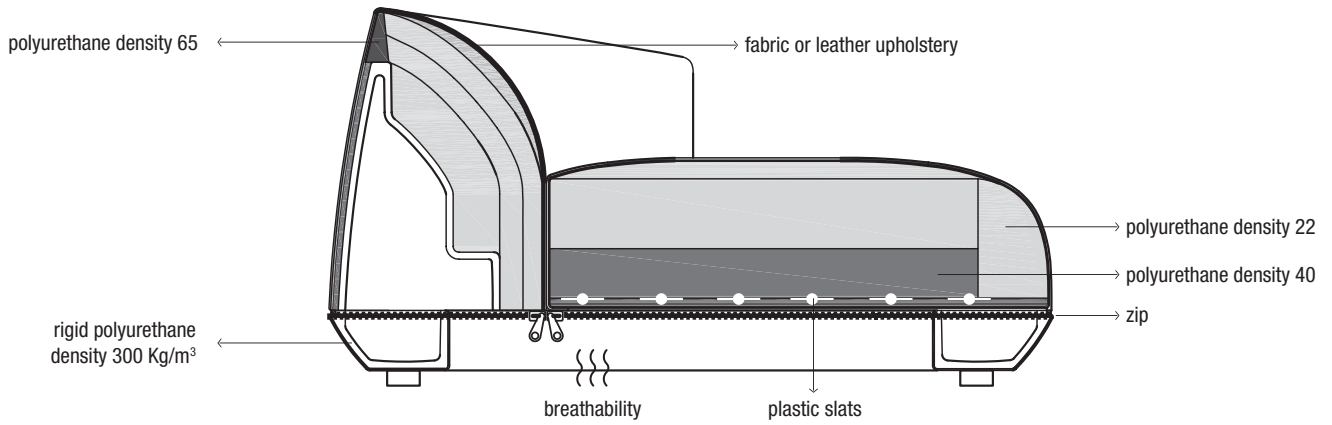


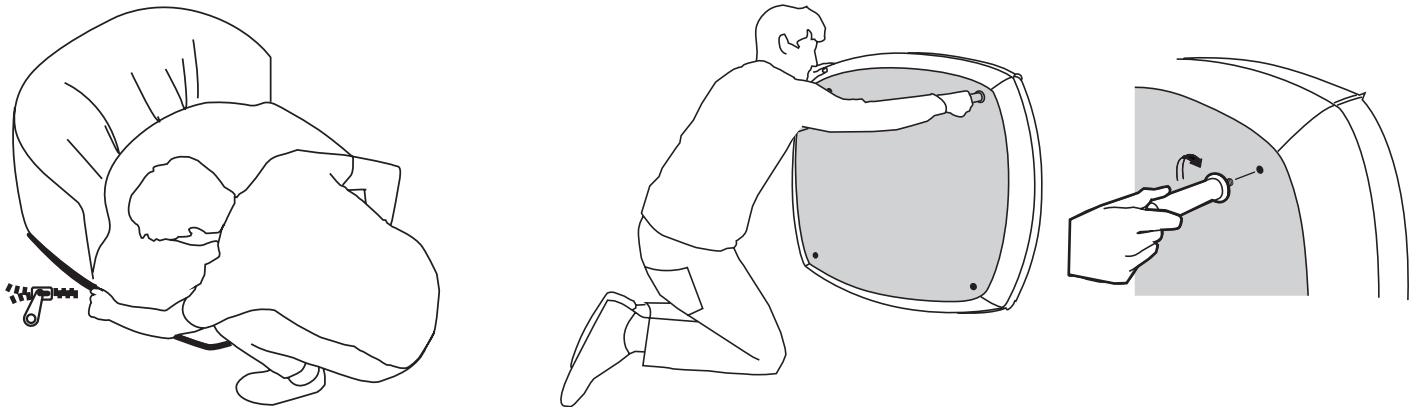
BRIONI

Info

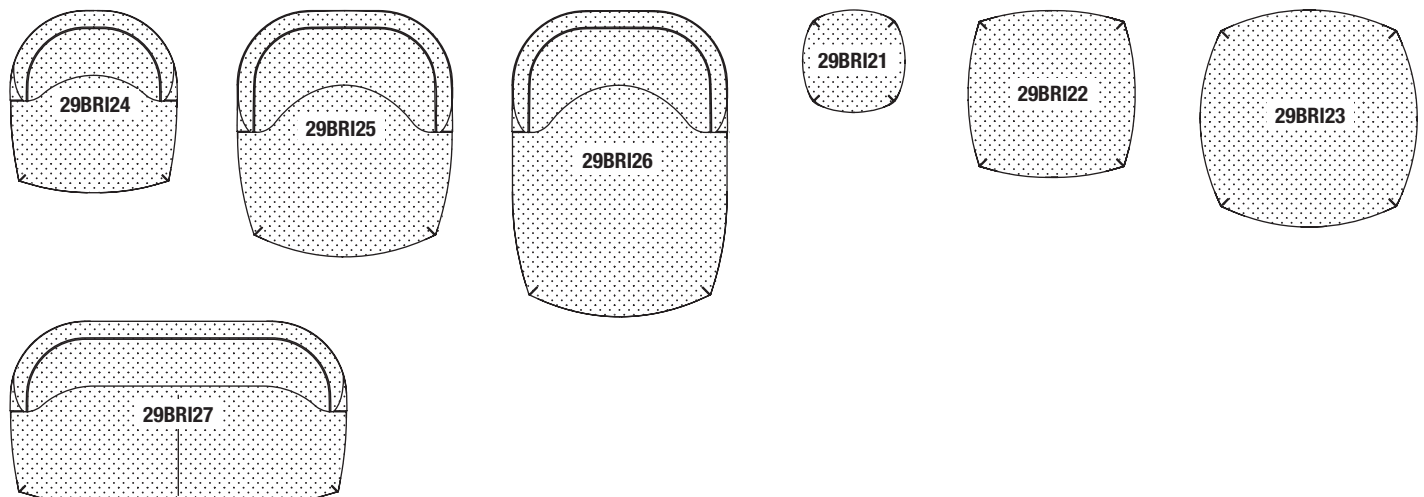


Entirely removable covers

Optional feat: on request, black lacquered steel feet H. 10 cm (02PIE01)



Legend:



BRIONI

Small lounge chair

Finish of cover:

- A = Valencia (synthetic leather)
- B = Field 2, COM (Customer fabric)
- C = Clara 2, Merit, COL (Customer leather)
- D = Curmi, Patio, Remix 2
- E = Canvas 2, Hero, Melange Nap, Scuba
- F = Steelcut Trio 3
- G = Divina Melange 3, Hallingdal 65, Regal
- H = Twill Weave
- L1 = Coast (corrected grain leather)
- L2 = Elmosoft (semi-aniline leather)
- L3 = Elmotique (aniline leather)

Finish of optional feet:

Black lacquered steel

Note:

REMOVABLE COVERS:

Removable upholstery for the fabric and leather versions.

For info on fabric composition, see inside cover.

For COM/COL orders, see inside cover.

COM consumption: 3,3 ml (H. 140 cm).

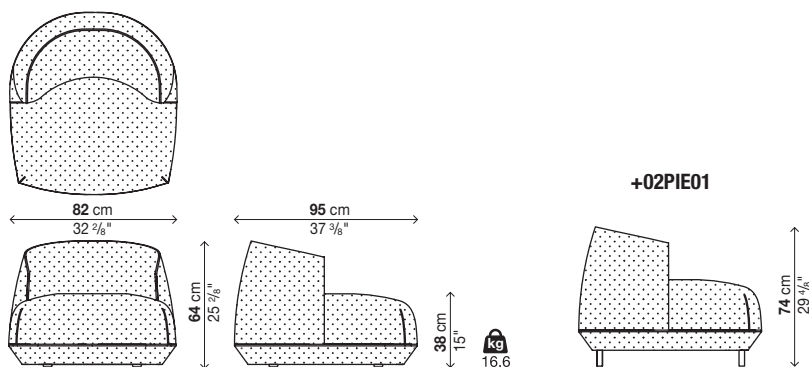
COL consumption: 5,6 mq.

Reinforced packaging, see inside cover.

Code	Cover											pack	m ³	Kg	
	A	B	C	D	E	F	G	H	L1	L2	L3				
29BRI24													1	0,81	35

Optionals

Code	Description	pack	m ³	Kg
02PIE01	Black lacquered steel feet H. 10 cm	1	0,02	0,8
29BRI24	Fire-retardant	-	-	-
	Cushions, see page 121	-	-	-



BRIONI

Large lounge chair

Finish of cover:

- A = Valencia (synthetic leather)
- B = Field 2, COM (Customer fabric)
- C = Clara 2, Merit, COL (Customer leather)
- D = Curmi, Patio, Remix 2
- E = Canvas 2, Hero, Melange Nap, Scuba
- F = Steelcut Trio 3
- G = Divina Melange 3, Hallingdal 65, Regal
- H = Twill Weave
- L1 = Coast (corrected grain leather)
- L2 = Elmosoft (semi-aniline leather)
- L3 = Elmotique (aniline leather)

Finish of optional feet:

Black lacquered steel

Note:

REMOVABLE COVERS:
Removable upholstery for the fabric and leather versions.

For info on fabric composition, see inside cover.

For COM/COL orders, see inside cover.

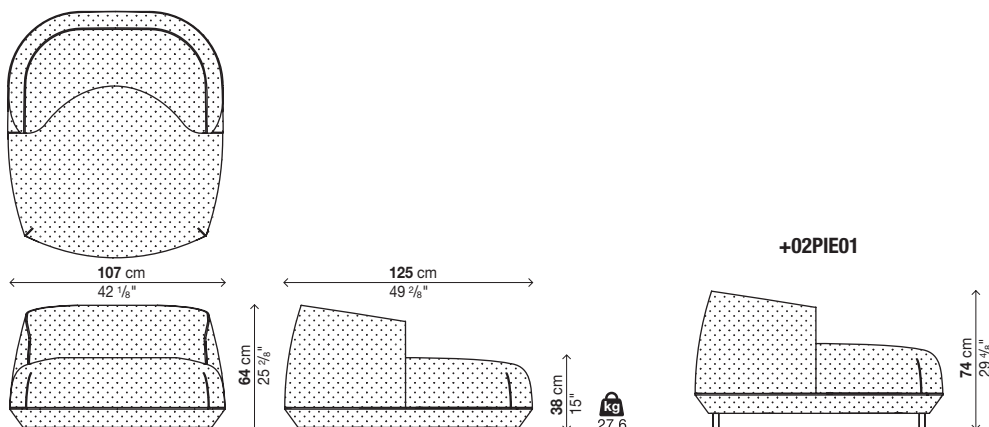
COM consumption: 4,5 ml (H. 140 cm).
COL consumption: 8 mq.

Reinforced packaging, see inside cover.

Code	Cover											pack	m ³	Kg	
	A	B	C	D	E	F	G	H	L1	L2	L3				
29BRI25													1	1,35	73

Optionals

Code	Description	pack	m ³	Kg
02PIE01	Black lacquered steel feet H. 10 cm	1	0,02	0,8
29BRI25	Fire-retardant	-	-	-
	Cushions, see page 121	-	-	-



BRIONI

Daybed

Finish of cover:

- A = Valencia (synthetic leather)
- B = Field 2, COM (Customer fabric)
- C = Clara 2, Merit, COL (Customer leather)
- D = Curmi, Patio, Remix 2
- E = Canvas 2, Hero, Melange Nap, Scuba
- F = Steelcut Trio 3
- G = Divina Melange 3, Hallingdal 65, Regal
- H = Twill Weave
- L1 = Coast (corrected grain leather)
- L2 = Elmosoft (semi-aniline leather)
- L3 = Elmotique (aniline leather)

Finish of optional feet:

Black lacquered steel

Note:

REMOVABLE COVERS:

Removable upholstery for the fabric and leather versions.

For info on fabric composition, see inside cover.

For COM/COL orders, see inside cover.

COM consumption: 5 ml (H. 140 cm).

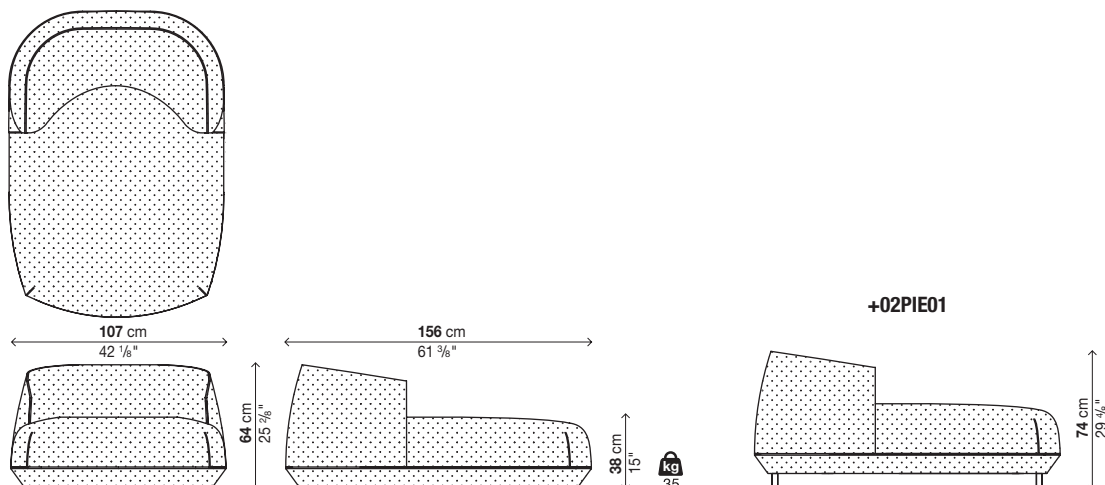
COL consumption: 9,5 mq.

Reinforced packaging, see inside cover.

Code	Cover											pack	m ³	Kg	
	A	B	C	D	E	F	G	H	L1	L2	L3				
29BRI26													1	1,62	87

Optionals

Code	Description	pack	m ³	Kg
02PIE01	Black lacquered steel feet H. 10 cm	1	0,02	0,8
29BRI26	Fire-retardant	-	-	-
	Cushions, see page 121	-	-	-



BRIONI

Small pouf

Finish of cover:

- A = Valencia (synthetic leather)
- B = Field 2, COM (Customer fabric)
- C = Clara 2, Merit, COL (Customer leather)
- D = Curmi, Patio, Remix 2
- E = Canvas 2, Hero, Melange Nap, Scuba
- F = Steelcut Trio 3
- G = Divina Melange 3, Hallingdal 65, Regal
- H = Twill Weave
- L1 = Coast (corrected grain leather)
- L2 = Elmosoft (semi-aniline leather)
- L3 = Elmotique (aniline leather)

Note:

REMOVABLE COVERS:
Removable upholstery for the fabric and leather versions.

For info on fabric composition, see inside cover.

For COM/COL orders, see inside cover.

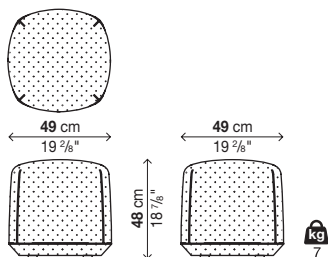
COM consumption: 1,1 ml (H. 140 cm).
COL consumption: 2 mq.

Reinforced packaging, see inside cover.

Code	Cover											pack	m ²	Kg	
	A	B	C	D	E	F	G	H	L1	L2	L3				
29BRI21													1	0,16	8

Optionals

Code	Description	pack	m ²	Kg
29BRI21	Fire-retardant	-	-	-



BRIONI

Medium pouf

Finish of cover:

- A = Valencia (synthetic leather)
- B = Field 2, COM (Customer fabric)
- C = Clara 2, Merit, COL (Customer leather)
- D = Curmi, Patio, Remix 2
- E = Canvas 2, Hero, Melange Nap, Scuba
- F = Steelcut Trio 3
- G = Divina Melange 3, Hallingdal 65, Regal
- H = Twill Weave
- L1 = Coast (corrected grain leather)
- L2 = Elmosoft (semi-aniline leather)
- L3 = Elmotique (aniline leather)

Finish of optional feet:

Black lacquered steel

Note:

REMOVABLE COVERS:

Removable upholstery for the fabric and leather versions.

For info on fabric composition, see inside cover.

For COM/COL orders, see inside cover.

COM consumption: 1,7 ml (H. 140 cm).

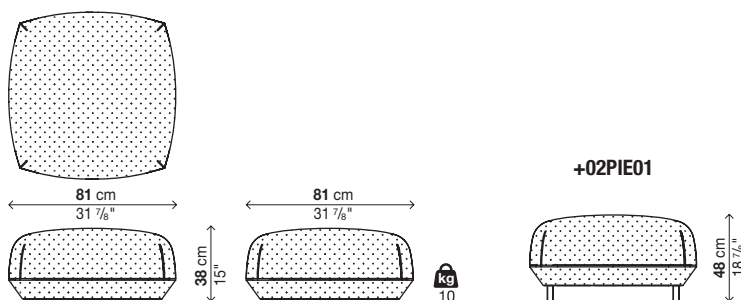
COL consumption: 3,5 mq.

Reinforced packaging, see inside cover.

Code	Cover											pack	m ³	Kg	
	A	B	C	D	E	F	G	H	L1	L2	L3				
29BRI22													1	0,29	13

Optionals

Code	Description	pack	m ³	Kg
02PIE01	Black lacquered steel feet H. 10 cm	1	0,02	0,8
29BRI22	Fire-retardant	-	-	-



BRIONI

Large pouf

Finish of cover:

- A = Valencia (synthetic leather)
- B = Field 2, COM (Customer fabric)
- C = Clara 2, Merit, COL (Customer leather)
- D = Curmi, Patio, Remix 2
- E = Canvas 2, Hero, Melange Nap, Scuba
- F = Steelcut Trio 3
- G = Divina Melange 3, Hallingdal 65, Regal
- H = Twill Weave
- L1 = Coast (corrected grain leather)
- L2 = Elmosoft (semi-aniline leather)
- L3 = Elmotique (aniline leather)

Finish of optional feet:

Black lacquered steel

Note:

REMOVABLE COVERS:

Removable upholstery for the fabric and leather versions.

For info on fabric composition, see inside cover.

For COM/COL orders, see inside cover.

COM consumption: 2,9 ml (H. 140 cm).

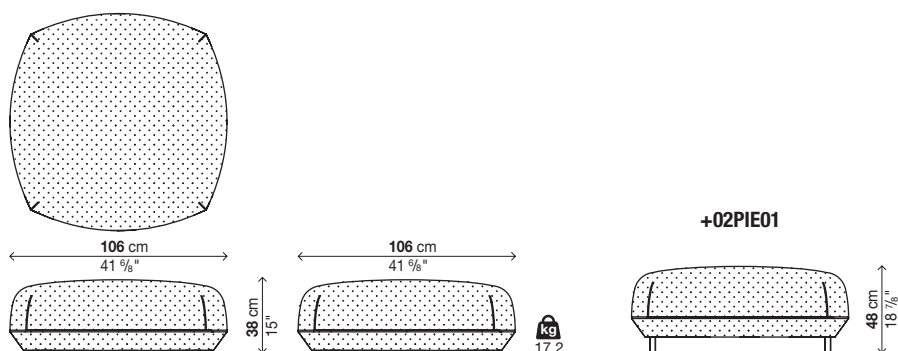
COL consumption: 4,5 mq.

Reinforced packaging, see inside cover.

Code	Cover											pack	m ³	Kg	
	A	B	C	D	E	F	G	H	L1	L2	L3				
29BRI23													1	0,48	21

Optionals

Code	Description	pack	m ³	Kg
02PIE01	Black lacquered steel feet H. 10 cm	1	0,02	0,8
29BRI23	Fire-retardant	-	-	-



BRIONI

2 seater sofa

Finish of cover:

- A = Valencia (synthetic leather)
- B = Field 2, COM (Customer fabric)
- C = Clara 2, Merit, COL (Customer leather)
- D = Curmi, Patio, Remix 2
- E = Canvas 2, Hero, Melange Nap, Scuba
- F = Steelcut Trio 3
- G = Divina Melange 3, Hallingdal 65, Regal
- H = Twill Weave
- L1 = Coast (corrected grain leather)
- L2 = Elmosoft (semi-aniline leather)
- L3 = Elmotique (aniline leather)

Finish of optional feet:

Black lacquered steel

Note:

REMOVABLE COVERS:

Removable upholstery for the fabric and leather versions.

For info on fabric composition, see inside cover.

For COM/COL orders, see inside cover.

COM consumption: 6,6 ml (H. 140 cm).

COL consumption: 11,2 mq.

Reinforced packaging, see inside cover.

Code	Cover											pack	m ³	Kg	
	A	B	C	D	E	F	G	H	L1	L2	L3				
29BRI27													1	1,6	75

Optionals

Code	Description	pack	m ³	Kg
02PIE01	Black lacquered steel feet H. 10 cm	1	0,02	0,8
29BRI27	Fire-retardant	-	-	-
	Cushions, see page 121	-	-	-

