

NOA STOOL

enea

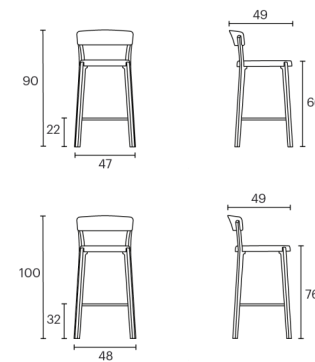
BY Estudi Manel Molina



Structures

- Recyclable polypropylene
- Upholstered in all materials on recyclable foam
- FSC-certified birch laminated wood veneer with direct structure binding to polypropylene to improve the set flexibility
- Footrest stool: Stainless steel tube (available from August, before in bright chromed steel tube)
- UNE-EN 16139:2013
- Laminated birch wood veneer with FSC certificate
- Optional varnish for fireproof
- Optional fireproof polypropylene according norm M2
- Optional ultraviolet polypropylene additive for outdoor

Measures



Accessories



Noa stool features a laminated frame made of natural birch with a direct union to the polypropylene to improve its flexibility. The seat and backrest can be customized in single-color polypropylene, with a polypropylene or upholstered seat pad, and fully upholstered. This model is available in two heights: 65 and 75 centimetres.

[Click here to see all the finishes of Noa stool](#)