



> **DESK AND MEETING TABLES**

Wood top: top thickness 70 mm, made through folding technology with particles wood panels of 18 mm thickness, coated with melamine paper, edge in ABS 0,6 mm, in the same finishing of the surface.

L shaped legs: legs thickness 70 mm, made through folding technology with particles wood panels of 18 mm thickness, coated with melamine paper, edge in ABS 0,6 mm, in the same finishing of the surface. The legs are equipped with levelling feet.

Bridge legs: made with birch multilayer wood, joined with 45° cut at the corners. Painted with polyurethane varnish available in several colors as listed in the catalogue, matt or glossy lacquered finishing.

> **CABLE MANAGEMENT**

- Top access (type C) 260x120 mm made by extruded aluminium, with easy access in anodized aluminium finish, white or black.
 - Top access (type E) Ø 80 mm made in ABS, aluminium, black and white finish.
 - Cable port (type D) Ø 80 mm made with die-cast aluminium-zinc alloy, chromed finish with brush.
 - Plug in (type G) inside Ø 80 mm, equipped with plugs: data and power + usb; with sliding cover white and black finish.
- Under the desk it can be fixed a metal tray for cable and plug support.
- Vertebra for cable, made in transparent ABS, can be connected to the desk top or to the metal cable tray.
 - Vertebra for cables, steel made chromed finish with internal brush. The CPU holder is made in steel pipe, aluminum painted, fixed under the desk top.

> **MODESTY PANEL**

Made with particles wood panels of 18 mm thickness, coated with melamine paper, edge in ABS 0,6 mm in the same finishing of the surface. The modesty panel is supplied with metal hardware to fix it under the desk top.

FINISHES

**TOPS TH. 70 MM
MELAMINE**



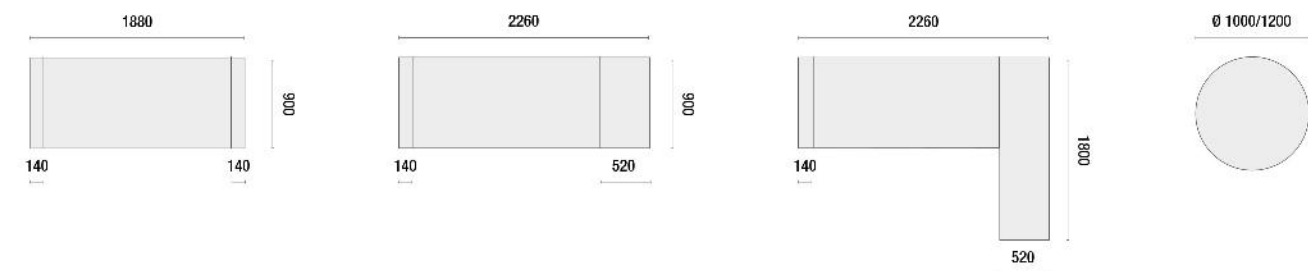
**LEGS
MELAMINE**



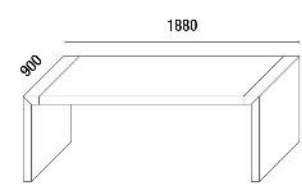
**PILLAR LEGS
METAL**



AVAILABLE TABLES SIZES

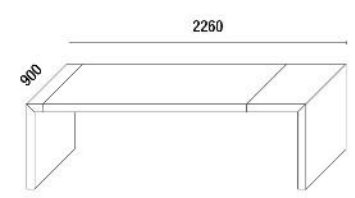


Desk



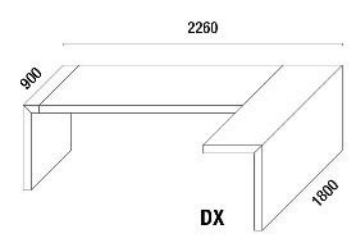
W.	D.	H.	KG	CODE
1880	900	750	78	FDKL0005

Desk



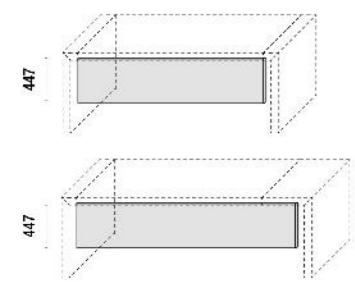
W.	D.	H.	KG	CODE
2260	900	750	88	FDKL0055

Desk with return



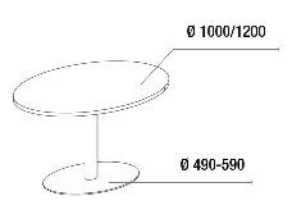
	W.	D.	H.	KG	CODE
RH	2260	1800	750	122	FDKL0105
LH	2260	1800	750	122	FDKL0106

Modesty for desk



	W.	D.	H.	KG	CODE
Leg 140/140	1600	-	447	9	FDKL7055
Leg 140/520	1980	-	447	11,2	FDKL7155

Round table



W.	D.	H.	KG	CODE
1000	1000	750	38,2	FDPG2615
1200	1200	750	45,7	FDAG4015

TOPS TH. 70 MM
MELAMINE



LEGS
MELAMINE



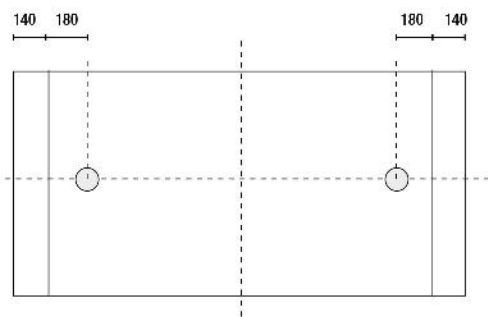
PILLAR LEGS
METAL



FOR WIRE MANAGEMENT SEE PAGE 51
 FOR PEDESTALS SEE PAGE 54 - 55
 FOR GALAXY STORAGES SEE PAGE 60

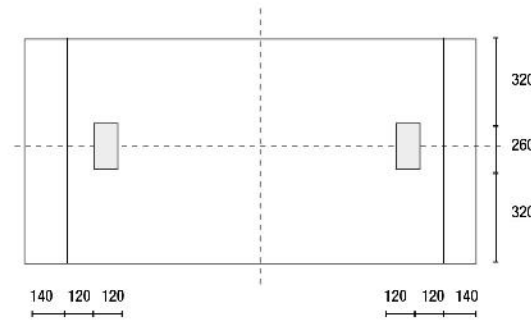
Desk - Cable port positioning

Cable port TYPE "E" and "G"

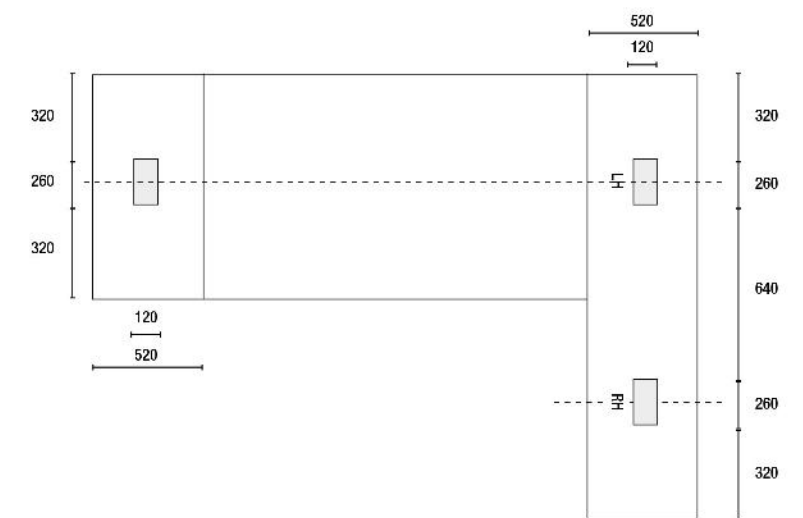


Desk - Cable port positioning

Cable port TYPE "C" Leg W. 140 mm



Cable port TYPE "C" - Leg W. 520 mm



WIRE MANAGEMENT



ABS transparent cables vertebra

KG	ITEM
0,7	FDMX9005



Glossy chrome cables vertebra

KG	ITEM
0,7	FDMX9007

WITHOUT TRAY



Cable port **TYPE C** 260x120 white, black, aluminium

KG	ITEM
-	TYPE C

WITH TRAY



Cable port **TYPE C** 260x120 cable tray included

KG	ITEM
-	TYPE C



ABS cable port **TYPE E** Ø 80 mm white, black, aluminium

KG	ITEM
-	TYPE E



Chrome cable port **TYPE D** Ø 80 mm

KG.	ITEM
0,7	TYPE D



Sliding flap **TYPE G** L.125 P.90 mm white, black

KG.	ITEM
0,7	FDMX9122