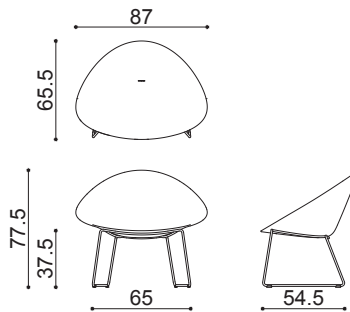


# Design by Lievore + Altherr Désile Park, 2020

---

## Art. 6803

Lounge chair with glider legs in painted steel. Polypropylene shell with distinctive texture made with 80% recycled materials, available in four colours.



---

### Frame Base



V44  
matt

V53  
matt

V64  
matt

---

### Shell



PD00001

PD00002

PD00003

PD00004

arper

info@arper.com

www.arper.com

## Design by Lievore + Altherr Désile Park, 2020

---

### Accessories:



Art. 6809 CUSHION -  
INDOOR



Art. 6810 CUSHION -  
OUTDOOR




Art. 6811 FRONT  
REMOVABLE CUSHION -  
INDOOR




Art. 6812 FRONT  
REMOVABLE CUSHION -  
OUTDOOR

---

### Art.6803

1 pz = 2  - kg 13,6/ m<sup>2</sup> 0,478

4 pz = 2  - kg 40/ m<sup>2</sup> 0,775

arper

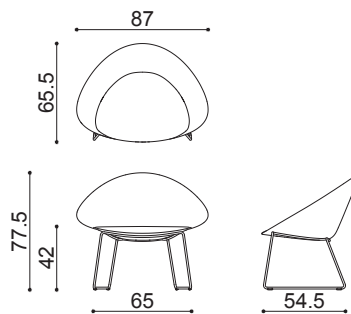
info@arper.com

www.arper.com

# Design by Lievore + Altherr Désile Park, 2020

## Art. 6804

Lounge chair with glider legs in painted steel. Polypropylene shell with distinctive texture made with 80% recycled materials, available in four colours, featuring a cushion attached to the seat covered with fabric, leather, faux leather or a covering of the client's choice.



### Frame Base



V44  
matt

V53  
matt

V64  
matt

### Shell



PD00001

PD00002

PD00003

PD00004

arper


info@arper.com


www.arper.com

# Design by Lievore + Altherr Désile Park, 2020

---

## Art.6804

1 pz = 2  - kg 15,4/ m³ 0,478

4 pz = 2  - kg 47,2/ m³ 0,775

arper

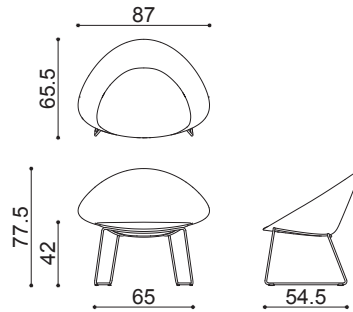
www.arper.com

info@arper.com

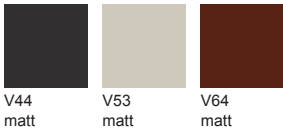
# Design by Lievore + Altherr Désile Park, 2020

## Art. 6805

Lounge chair with glider legs in painted steel. Polypropylene shell with distinctive texture made with 80% recycled materials, entirely covered with fabric, leather, faux leather or a covering of the client's choice.



### Frame Base



### Shell

#### Carded In



#### Graded In

**kvadrat**

**camira**



DESIGN  
TEX



**Gabriel**



**svensson**


**maharam**


**Serge Ferrari**

# Design by Lievore + Altherr Désile Park, 2020

---

## Art.6805

1 pz = 2  - kg 16,3/ m³ 0,478

4 pz = 2  - kg 50,8/ m³ 0,775

arper

info@arper.com

www.arper.com