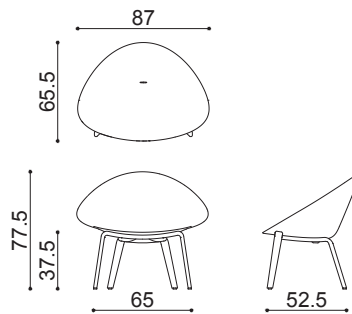


# Design by Lievore + Altherr Désile Park, 2020

---

## Art. 6806

Lounge chair on a four-legged base in plywood with a reconstituted natural or dyed oak finish. Polypropylene shell with distinctive texture made with 80% recycled materials, available in four colours.



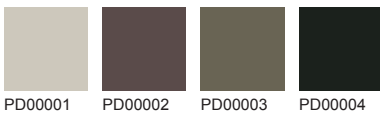
---

### Frame Base



---

### Shell



arper

www.arper.com

info@arper.com

# Design by Lievore + Altherr Désile Park, 2020

---

## Accessories:




Art. 6809 CUSHION -  
INDOOR




Art. 6811 FRONT  
REMOVABLE CUSHION -  
INDOOR

---

### Art.6806

1 pz = 2  - kg 12,2/ m<sup>2</sup> 0,479

4 pz = 2  - kg 34,4/ m<sup>2</sup> 0,709

arper

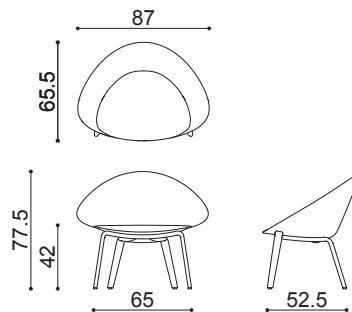
info@arper.com

www.arper.com

# Design by Lievore + Altherr Désile Park, 2020

## Art. 6807

Lounge chair on a four-legged base in plywood with a reconstituted natural or dyed oak finish. Polypropylene shell with distinctive texture made with 80% recycled materials, available in four colours, featuring a cushion attached to the seat covered with fabric, leather, faux leather or a covering of the client's choice.



### Frame Base



L06

L22

### Shell



PD00001

PD00002

PD00003

PD00004

arper


info@arper.com


www.arper.com

# Design by Lievore + Altherr Désile Park, 2020

---

**Art.6807**

1 pz = 2  - kg 14/ m³ 0,479

4 pz = 2  - kg 41,6/ m³ 0,709

**arper**

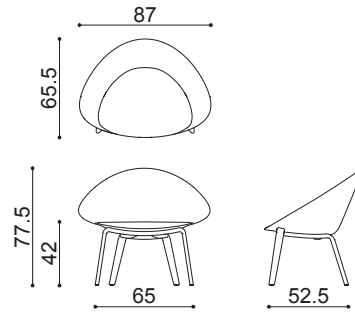
[info@arper.com](mailto:info@arper.com)

[www.arper.com](http://www.arper.com)

# Design by Lievore + Altherr Désile Park, 2020

## Art. 6808

Lounge chair on a four-legged base in plywood with a reconstituted natural or dyed oak finish. Polypropylene shell with distinctive texture made with 80% recycled materials, entirely covered with fabric, leather, faux leather or a covering of the client's choice.



### Frame Base



L06

L22

### Shell

#### Carded In



#### Graded In

**kvadrat**

**camira**



DESIGN  
TEX



**Gabriel**



**svensson**


**maharam**


**Serge Ferrari**

# Design by Lievore + Altherr Désile Park, 2020

---

## Art.6808

1 pz = 2  - kg 14/ m³ 0,479

4 pz = 2  - kg 45,2/ m³ 0,709

arper

info@arper.com

www.arper.com