

THIN-K

Sizes

Prof. 80 cm
Depth 31 4/8"

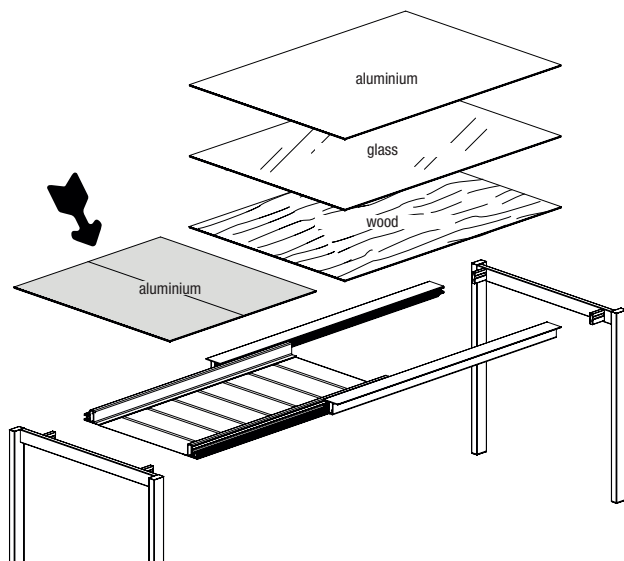
80	80 cm 31 4/8"	→ Aluminium
	123 cm 48 3/8"	→ Aluminium → Glass → Wood
	123/163/203 cm 48 3/8/64 1/8/79"	→ Aluminium → Glass → Wood
	150 cm 59"	→ Aluminium → Glass → Wood
	150/190/230 cm 59/74 7/8/90 1/2"	→ Aluminium → Glass → Wood

Prof. 90 cm
Depth 35 3/8"

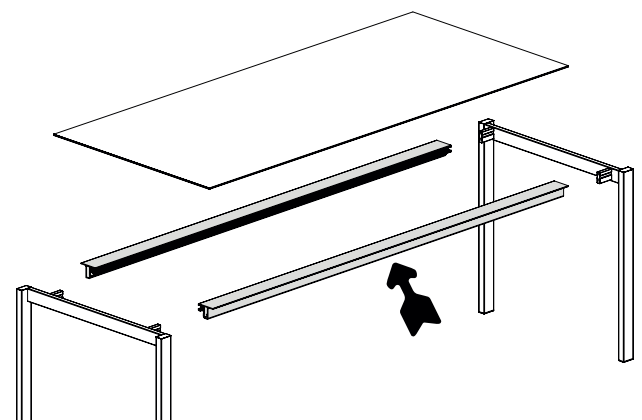
90	150 cm 59"	→ Aluminium → Glass
	150/190/230 cm 59/74 7/8/90 1/2"	→ Aluminium → Glass
	170 cm 66 7/8"	→ Aluminium → Glass → Wood
	170/210/250 cm 66 7/8/82 3/4/98 3/8"	→ Aluminium → Glass → Wood

Prof. 100 cm
Depth 39 3/8"

100	200 cm 78 3/4"	→ Aluminium → Wood
	200/240/280 cm 78 3/4/94 1/2/110 2/8"	→ Aluminium → Wood
	220 cm 86 5/8"	→ Aluminium → Wood
	240 cm 94 4/8"	→ Aluminium → Wood
	260 cm 102 3/8"	→ Aluminium → Wood
	280 cm 110 2/8"	→ Aluminium → Wood
	295 cm 116 1/8"	→ Aluminium → Wood



For Thin-K tables in an extendable version, the extensions are always in epoxy powder lacquered aluminium (also for versions with a glass or wood top).



For Thin-K tables up to 200 cm long with aluminium, wood or glass top, the under-top bars are in anodised aluminium.

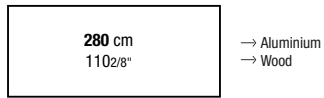
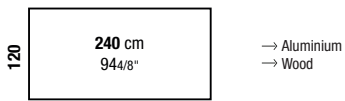
For Thin-K tables over 200 cm long with aluminium top, have under-top bars lacquered in the same colour as the top.

For Thin-K tables over 200 cm long with "European Oak" or "Walnut" wood top, the under-top bars are in anodised aluminium.

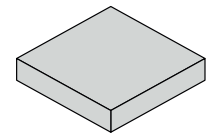
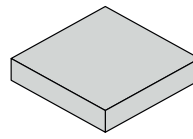
For tops in "Black Oak", the aluminium bars are lacquered black.

Tops 6 mm thick

Prof. 120 cm
Depth 47²/₈"

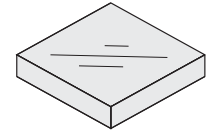
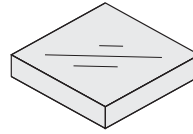


Aluminium



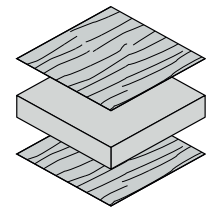
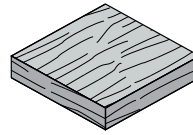
→ painting
→ 100% aluminium
→ painting

Glass



→ glass
→ painting

Wood



→ wood veneer
→ 100% aluminium
→ wood veneer

THIN-K ALUMINIUM

Extensible - Depth 80 cm

Leg finish:

Aluminium grey lacquered steel (similar to RAL 7042)
 White lacquered steel (similar to RAL 9016)
 Sand grey lacquered steel (similar to RAL 9002)
 Anthracite grey lacquered steel (similar to RAL 7015)
 Black lacquered steel (similar to RAL 9004)
 Olive green lacquered steel (colour reference "Olive green polyurethane PO08")

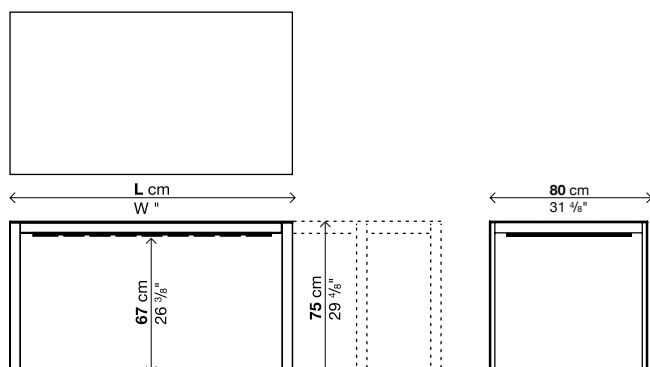
Note:

Reinforced packaging, see inside cover.

Top finish/external details on leg/extensions:

Aluminium grey lacquered aluminium (similar to RAL 7042)
 White lacquered aluminium (similar to RAL 9016)
 Sand grey lacquered aluminium (similar to RAL 9002)
 Anthracite grey lacquered aluminium (similar to RAL 7015)
 Black lacquered aluminium (similar to RAL 9004)
 Olive green lacquered aluminium (colour reference "Olive green polyurethane PO08")

Code	Lenght	Legs	Top	pack	m ³	Kg
			Lacquered aluminium			
01THK01	123-163-203	Lacquered		1	0,27	54
01THK02	150-190-230	Lacquered		1	0,32	62



THIN-K ALUMINIUM

Fixed - Depth 80 cm

Leg finish:

Aluminium grey lacquered steel (similar to RAL 7042)
 White lacquered steel (similar to RAL 9016)
 Sand grey lacquered steel (similar to RAL 9002)
 Anthracite grey lacquered steel (similar to RAL 7015)
 Black lacquered steel (similar to RAL 9004)
 Olive green lacquered steel (colour reference "Olive green polyurethane P008")

Note:

Reinforced packaging, see inside cover.

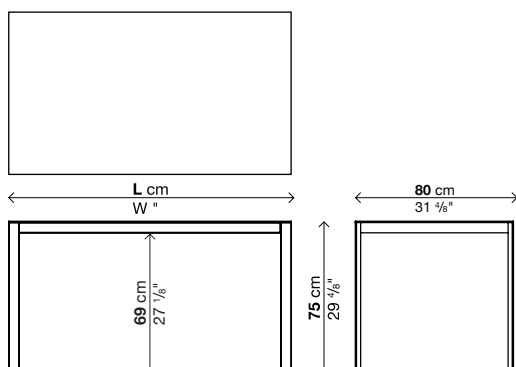
Top finish/external details on leg:

Aluminium grey lacquered aluminium (similar to RAL 7042)
 White lacquered aluminium (similar to RAL 9016)
 Sand grey lacquered aluminium (similar to RAL 9002)
 Anthracite grey lacquered aluminium (similar to RAL 7015)
 Black lacquered aluminium (similar to RAL 9004)
 Olive green lacquered aluminium (colour reference "Olive green polyurethane P008")

Code	Lenght	Legs	Top	pack	m ³	Kg
			Lacquered aluminium			
01THK03F	80	Lacquered		1	0,18	29
01THK01F	123	Lacquered		1	0,27	39
01THK02F	150	Lacquered		1	0,32	44

Optionals

Code	Description	pack	m ³	Kg
02RET09	Plastic cable mesh	1	0,07	1
02VER01	Vertebra, opal white methacrylate	1	0,01	1,5
02CPU07	CPU unit, opal white methacrylate	1	0,14	5,5
	Cable hole and management, see page 320	-	-	-



THIN-K ALUMINIUM

Extensible - Depth 90 cm

Leg finish:

Aluminium grey lacquered steel (similar to RAL 7042)
 White lacquered steel (similar to RAL 9016)
 Sand grey lacquered steel (similar to RAL 9002)
 Anthracite grey lacquered steel (similar to RAL 7015)
 Black lacquered steel (similar to RAL 9004)
 Olive green lacquered steel (colour reference "Olive green polyurethane P008")

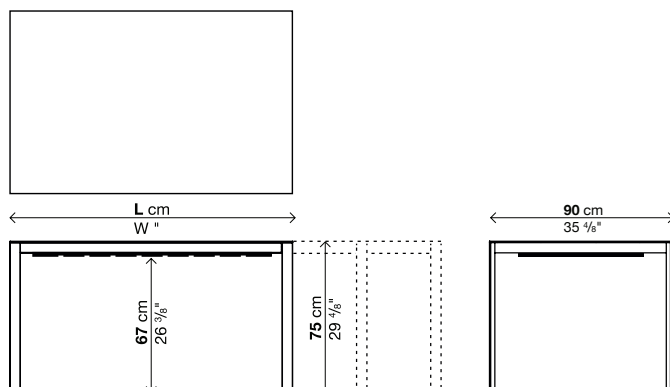
Note:

Reinforced packaging, see inside cover.

Top finish/external details on leg/extensions:

Aluminium grey lacquered aluminium (similar to RAL 7042)
 White lacquered aluminium (similar to RAL 9016)
 Sand grey lacquered aluminium (similar to RAL 9002)
 Anthracite grey lacquered aluminium (similar to RAL 7015)
 Black lacquered aluminium (similar to RAL 9004)
 Olive green lacquered aluminium (colour reference "Olive green polyurethane P008")

Code	Lenght	Legs	Top	pack	m ²	Kg
			Lacquered aluminium			
01THK10	150-190-230	Lacquered		1	0,36	65
01THK04	170-210-250	Lacquered		1	0,37	76



THIN-K ALUMINIUM

Fixed - Depth 90 cm

Leg finish:

Aluminium grey lacquered steel (similar to RAL 7042)
 White lacquered steel (similar to RAL 9016)
 Sand grey lacquered steel (similar to RAL 9002)
 Anthracite grey lacquered steel (similar to RAL 7015)
 Black lacquered steel (similar to RAL 9004)
 Olive green lacquered steel (colour reference "Olive green polyurethane P008")

Note:

Reinforced packaging, see inside cover.

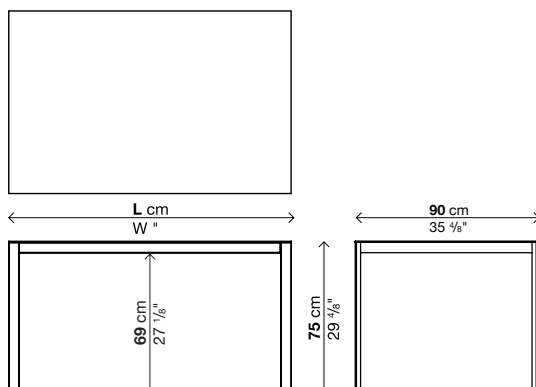
Top finish/external details on leg:

Aluminium grey lacquered aluminium (similar to RAL 7042)
 White lacquered aluminium (similar to RAL 9016)
 Sand grey lacquered aluminium (similar to RAL 9002)
 Anthracite grey lacquered aluminium (similar to RAL 7015)
 Black lacquered aluminium (similar to RAL 9004)
 Olive green lacquered aluminium (colour reference "Olive green polyurethane P008")

Code	Lenght	Legs	Top	pack	m ³	Kg
			Lacquered aluminium			
01THK10F	150	Lacquered		1	0,36	47
01THK04F	170	Lacquered		1	0,37	53

Optionals

Code	Description	pack	m ³	Kg
02RET10	Plastic cable mesh	1	0,07	1
02VER01	Vertebra, opal white methacrylate	1	0,01	1,5
02CPU08	CPU unit, opal white methacrylate	1	0,14	5,5
	Cable hole and management, see page 320	-	-	-



THIN-K ALUMINIUM

Extensible - Depth 100 cm

Leg finish:

Aluminium grey lacquered steel (similar to RAL 7042)
 White lacquered steel (similar to RAL 9016)
 Sand grey lacquered steel (similar to RAL 9002)
 Anthracite grey lacquered steel (similar to RAL 7015)
 Black lacquered steel (similar to RAL 9004)
 Olive green lacquered steel (colour reference "Olive green polyurethane P008")

Top finish/external details on leg/extensions:

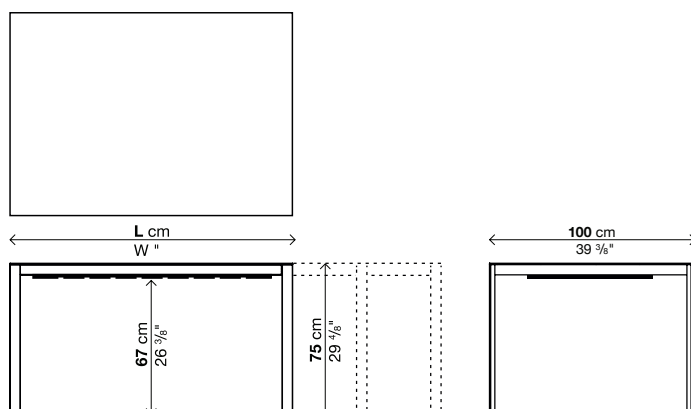
Aluminium grey lacquered aluminium (similar to RAL 7042)
 White lacquered aluminium (similar to RAL 9016)
 Sand grey lacquered aluminium (similar to RAL 9002)
 Anthracite grey lacquered aluminium (similar to RAL 7015)
 Black lacquered aluminium (similar to RAL 9004)
 Olive green lacquered aluminium (colour reference "Olive green polyurethane P008")

Note:

Important: sizes and finishes marked with (!) require longer production lead time, about 6 weeks from the date of the order.

Reinforced packaging, see inside cover.

Code	Lenght	Legs	Top	pack	m ³	Kg
			Lacquered aluminium			
01THK05	200-240-280 (!)	Lacquered		1	0.5	91



THIN-K ALUMINIUM

Fixed - Depth 100 cm

Leg finish:

Aluminium grey lacquered steel (similar to RAL 7042)
 White lacquered steel (similar to RAL 9016)
 Sand grey lacquered steel (similar to RAL 9002)
 Anthracite grey lacquered steel (similar to RAL 7015)
 Black lacquered steel (similar to RAL 9004)
 Olive green lacquered steel (colour reference "Olive green polyurethane P008")

Note:

Important: sizes and finishes marked with (!) require longer production lead time, about 6 weeks from the date of the order.

Reinforced packaging, see inside cover.

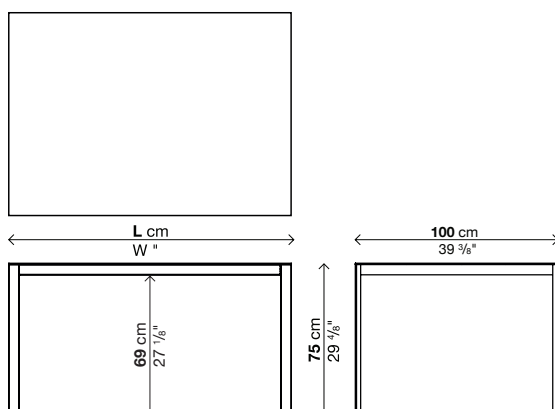
Top finish/external details on leg:

Aluminium grey lacquered aluminium (similar to RAL 7042)
 White lacquered aluminium (similar to RAL 9016)
 Sand grey lacquered aluminium (similar to RAL 9002)
 Anthracite grey lacquered aluminium (similar to RAL 7015)
 Black lacquered aluminium (similar to RAL 9004)
 Olive green lacquered aluminium (colour reference "Olive green polyurethane P008")

Code	Lenght	Legs	Top	pack	m ³	Kg
			Lacquered aluminium			
01THK05F	200 (!)	Lacquered		1	0,5	66
01THK08F	220 (!)	Lacquered		1	0,55	80
01THK09F	240 (!)	Lacquered		1	0,59	86
01THK30F	260 (!)	Lacquered		1	0,64	91
01THK31F	280 (!)	Lacquered		1	0,68	97
01THK07F	295 (!)	Lacquered		1	0,73	101

Optionals

Code	Description	pack	m ³	Kg
02RET11	Plastic cable mesh	1	0,07	1
02VER01	Vertebra, opal white methacrylate	1	0,01	1,5
02CPU09	CPU unit, opal white methacrylate	1	0,14	5,5
	Cable hole and management, see page 320	-	-	-



THIN-K ALUMINIUM

Fixed - Depth 120 cm

Leg finish:

Aluminium grey lacquered steel (similar to RAL 7042)
 White lacquered steel (similar to RAL 9016)
 Sand grey lacquered steel (similar to RAL 9002)
 Anthracite grey lacquered steel (similar to RAL 7015)
 Black lacquered steel (similar to RAL 9004)
 Olive green lacquered steel (colour reference "Olive green polyurethane P008")

Top finish/external details on leg:

Aluminium grey lacquered aluminium (similar to RAL 7042)
 White lacquered aluminium (similar to RAL 9016)
 Sand grey lacquered aluminium (similar to RAL 9002)
 Anthracite grey lacquered aluminium (similar to RAL 7015)
 Black lacquered aluminium (similar to RAL 9004)
 Olive green lacquered aluminium (colour reference "Olive green polyurethane P008")

Note:

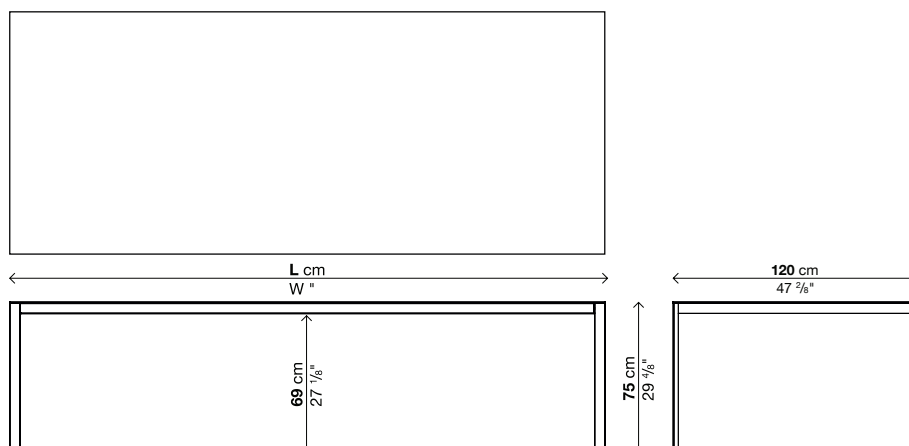
Important: sizes and finishes marked with (!) require longer production lead time, about 6 weeks from the date of the order.

Reinforced packaging, see inside cover.

Code	Lenght	Legs	Top	pack	m ³	Kg
			Lacquered aluminium			
01THK32F	240 (!)	Lacquered		1	0,69	110
01THK33F	260 (!)	Lacquered		1	0,75	118
01THK34F	280 (!)	Lacquered		1	0,8	125
01THK35F	295 (!)	Lacquered		1	0,86	131

Optionals

Code	Description	pack	m ³	Kg
02RET08	Plastic cable mesh	1	0,07	1
02VER01	Vertebra, opal white methacrylate	1	0,01	1,5
	Cable hole and management, see page 320	-	-	-



THIN-K WOOD

Extensible - Depth 80 cm

Leg finish:

Aluminium grey lacquered steel (similar to RAL 7042)
 White lacquered steel (similar to RAL 9016)
 Sand grey lacquered steel (similar to RAL 9002)
 Anthracite grey lacquered steel (similar to RAL 7015)
 Black lacquered steel (similar to RAL 9004)
 Olive green lacquered steel (colour reference "Olive green polyurethane P008")

Top finish/external details on leg:

Wood, european oak effect
 Wood, walnut effect
 Wood, black oak effect

Finish of extensions:

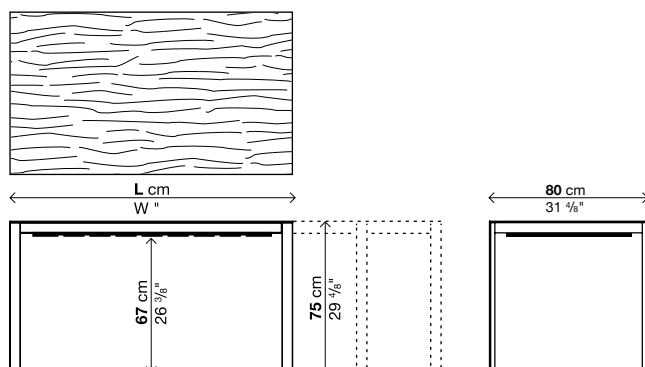
Aluminium grey lacquered aluminium (similar to RAL 7042)
 White lacquered aluminium (similar to RAL 9016)
 Sand grey lacquered aluminium (similar to RAL 9002)
 Anthracite grey lacquered aluminium (similar to RAL 7015)
 Black lacquered aluminium (similar to RAL 9004)
 Olive green lacquered aluminium (colour reference "Olive green polyurethane P008")

Note:

Important: sizes and finishes marked with (!) require longer production lead time, about 6 weeks from the date of the order.

Reinforced packaging, see inside cover.

Code	Lenght	Legs	Top	pack	m ³	Kg
			Wood			
01THK40	123-163-203 (!)	Lacquered		1	0,27	54
01THK41	150-190-230 (!)	Lacquered		1	0,32	62



THIN-K WOOD

Fixed - Depth 80 cm

Leg finish:

Aluminium grey lacquered steel (similar to RAL 7042)
 White lacquered steel (similar to RAL 9016)
 Sand grey lacquered steel (similar to RAL 9002)
 Anthracite grey lacquered steel (similar to RAL 7015)
 Black lacquered steel (similar to RAL 9004)
 Olive green lacquered steel (colour reference "Olive green polyurethane P008")

Note:

Important: sizes and finishes marked with (!) require longer production lead time, about 6 weeks from the date of the order.

Reinforced packaging, see inside cover.

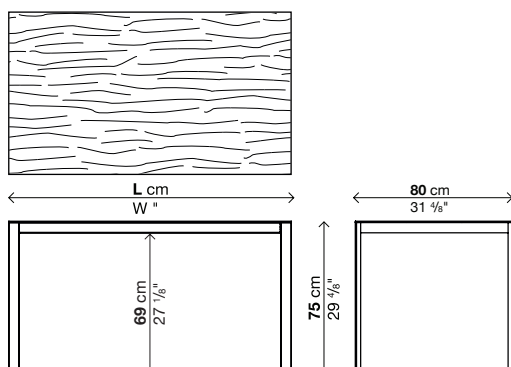
Top finish/external details on leg:

Wood, european oak effect
 Wood, walnut effect
 Wood, black oak effect

Code	Lenght	Legs	Top	pack	m ³	Kg
			Wood			
01THK40F	123 (!)	Lacquered		1	0,27	39
01THK41F	150 (!)	Lacquered		1	0,32	44

Optionals

Code	Description	pack	m ³	Kg
02RET09	Plastic cable mesh	1	0,07	1
02VER01	Vertebra, opal white methacrylate	1	0,01	1,5
02CPU07	CPU unit, opal white methacrylate	1	0,14	5,5
	Cable hole and management, see page 320	-	-	-



THIN-K WOOD

Extensible - Depth 90 cm

Leg finish:

Aluminium grey lacquered steel (similar to RAL 7042)
 White lacquered steel (similar to RAL 9016)
 Sand grey lacquered steel (similar to RAL 9002)
 Anthracite grey lacquered steel (similar to RAL 7015)
 Black lacquered steel (similar to RAL 9004)
 Olive green lacquered steel (colour reference "Olive green polyurethane P008")

Top finish/external details on leg:

Wood, european oak effect
 Wood, walnut effect
 Wood, black oak effect

Finish of extensions:

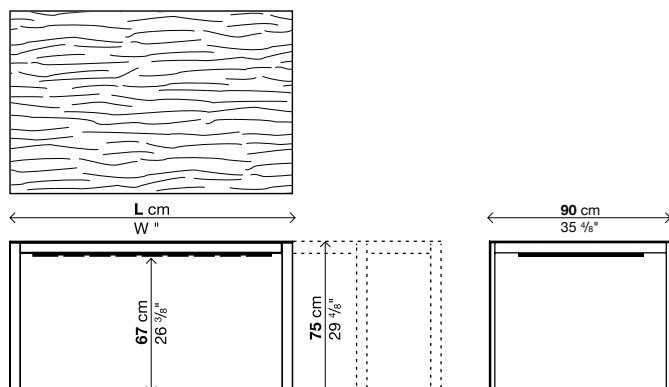
Aluminium grey lacquered aluminium (similar to RAL 7042)
 White lacquered aluminium (similar to RAL 9016)
 Sand grey lacquered aluminium (similar to RAL 9002)
 Anthracite grey lacquered aluminium (similar to RAL 7015)
 Black lacquered aluminium (similar to RAL 9004)
 Olive green lacquered aluminium (colour reference "Olive green polyurethane P008")

Note:

Important: sizes and finishes marked with (!) require longer production lead time, about 6 weeks from the date of the order.

Reinforced packaging, see inside cover.

Code	Lenght	Legs	Top	pack	m ³	Kg
			Wood			
01THK42	170-210-250 (!)	Lacquered		1	0,37	76



THIN-K WOOD

Fixed - Depth 90 cm

Leg finish:

- Aluminium grey lacquered steel (similar to RAL 7042)
- White lacquered steel (similar to RAL 9016)
- Sand grey lacquered steel (similar to RAL 9002)
- Anthracite grey lacquered steel (similar to RAL 7015)
- Black lacquered steel (similar to RAL 9004)
- Olive green lacquered steel (colour reference "Olive green polyurethane P008")

Top finish/external details on leg:

- Wood, european oak effect
- Wood, walnut effect
- Wood, black oak effect

Note:

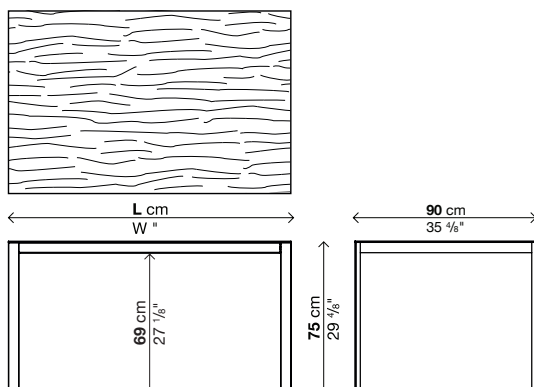
Important: sizes and finishes marked with (!) require longer production lead time, about 6 weeks from the date of the order.

Reinforced packaging, see inside cover.

Code	Lenght	Legs	Top	pack	m ³	Kg
			Wood			
01THK42F	170 (!)	Lacquered		1	0,37	53

Optionals

Code	Description	pack	m ³	Kg
02RET10	Plastic cable mesh	1	0,07	1
02VERO1	Vertebra, opal white methacrylate	1	0,01	1,5
02CPU08	CPU unit, opal white methacrylate	1	0,14	5,5
	Cable hole and management, see page 320	-	-	-



THIN-K WOOD

Extensible - Depth 100 cm

Leg finish:

Aluminium grey lacquered steel (similar to RAL 7042)
 White lacquered steel (similar to RAL 9016)
 Sand grey lacquered steel (similar to RAL 9002)
 Anthracite grey lacquered steel (similar to RAL 7015)
 Black lacquered steel (similar to RAL 9004)
 Olive green lacquered steel (colour reference "Olive green polyurethane PO08")

Top finish/external details on leg:

Wood, european oak effect
 Wood, walnut effect
 Wood, black oak effect

Finish of extensions:

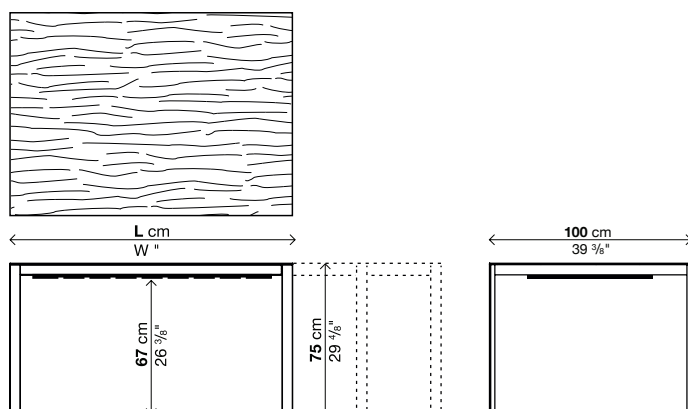
Aluminium grey lacquered aluminium (similar to RAL 7042)
 White lacquered aluminium (similar to RAL 9016)
 Sand grey lacquered aluminium (similar to RAL 9002)
 Anthracite grey lacquered aluminium (similar to RAL 7015)
 Black lacquered aluminium (similar to RAL 9004)
 Olive green lacquered aluminium (colour reference "Olive green polyurethane PO08")

Note:

Important: sizes and finishes marked with (!) require longer production lead time, about 6 weeks from the date of the order.

Reinforced packaging, see inside cover.

Code	Lenght	Legs	Top	pack	m ³	Kg
			Wood			
01THK43	200-240-280 (!)	Lacquered		1	0,5	91



THIN-K WOOD

Fixed - Depth 100 cm

Leg finish:

Aluminium grey lacquered steel (similar to RAL 7042)
 White lacquered steel (similar to RAL 9016)
 Sand grey lacquered steel (similar to RAL 9002)
 Anthracite grey lacquered steel (similar to RAL 7015)
 Black lacquered steel (similar to RAL 9004)
 Olive green lacquered steel (colour reference "Olive green polyurethane P008")

Note:

Important: sizes and finishes marked with (!) require longer production lead time, about 6 weeks from the date of the order.

Reinforced packaging, see inside cover.

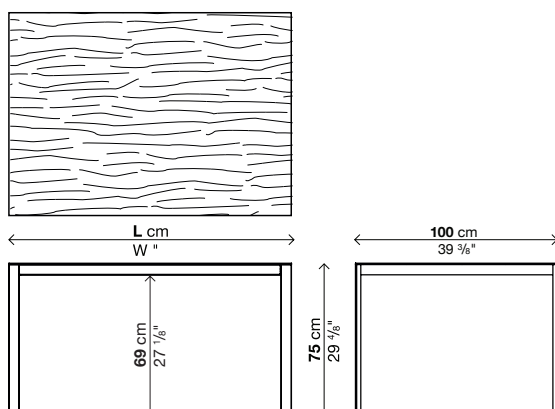
Top finish/external details on leg:

Wood, european oak effect
 Wood, walnut effect
 Wood, black oak effect

Code	Lenght	Legs	Top	pack	m ³	Kg
			Wood			
01THK43F	200 (!)	Lacquered		1	0,5	66
01THK44F	220 (!)	Lacquered		1	0,55	80
01THK45F	240 (!)	Lacquered		1	0,59	86
01THK46F	260 (!)	Lacquered		1	0,64	91
01THK47F	280 (!)	Lacquered		1	0,68	97
01THK48F	295 (!)	Lacquered		1	0,73	101

Optionals

Code	Description	pack	m ³	Kg
02RET11	Plastic cable mesh	1	0,07	1
02VER01	Vertebra, opal white methacrylate	1	0,01	1,5
02CPU09	CPU unit, opal white methacrylate	1	0,14	5,5
	Cable hole and management, see page 320	-	-	-



THIN-K WOOD

Fixed - Depth 120 cm

Leg finish:

Aluminium grey lacquered steel (similar to RAL 7042)
 White lacquered steel (similar to RAL 9016)
 Sand grey lacquered steel (similar to RAL 9002)
 Anthracite grey lacquered steel (similar to RAL 7015)
 Black lacquered steel (similar to RAL 9004)
 Olive green lacquered steel (colour reference "Olive green polyurethane P008")

Top finish/external details on leg:

Wood, european oak effect
 Wood, walnut effect
 Wood, black oak effect

Note:

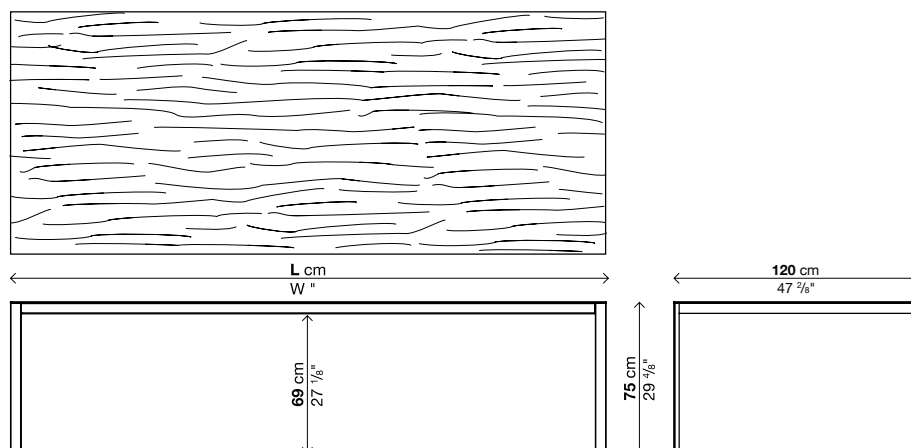
Important: sizes and finishes marked with (!) require longer production lead time, about 6 weeks from the date of the order.

Reinforced packaging, see inside cover.

Code	Lenght	Legs	Top	pack	m ³	Kg
			Wood			
01THK49F	240 (!)	Lacquered		1	0,69	110
01THK50F	260 (!)	Lacquered		1	0,75	118
01THK51F	280 (!)	Lacquered		1	0,8	125
01THK52F	295 (!)	Lacquered		1	0,86	131

Optionals

Code	Description	pack	m ³	Kg
02RET08	Plastic cable mesh	1	0,07	1
02VER01	Vertebra, opal white methacrylate	1	0,01	1,5
	Cable hole and management, see page 320	-	-	-



THIN-K GLASS

Extensible - Depth 80 cm

Leg finish:

Aluminium grey lacquered steel (similar to RAL 7042)

White lacquered steel (similar to RAL 9016)

Black lacquered steel (similar to RAL 9004)

Note:

Reinforced packaging, see inside cover.

Top finish/external details on leg:

Gloss glass in colours: extra white, anthracite grey, black, titanium

Matt glass in colours: extra white, anthracite grey, black, titanium

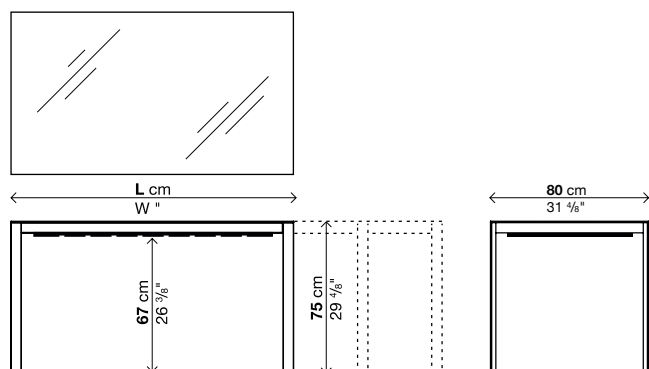
Finish of extensions:

Aluminium grey lacquered aluminium (similar to RAL 7042)

White lacquered aluminium (similar to RAL 9016)

Black lacquered aluminium (similar to RAL 9004)

Code	Lenght	Legs	Top		pack	m ²	Kg
			Gloss glass	Matt glass			
01THK11	123-163-203	Lacquered			1	0,27	54
01THK12	150-190-230	Lacquered			1	0,32	62



THIN-K GLASS

Fixed - Depth 80 cm

Leg finish:

Aluminium grey lacquered steel (similar to RAL 7042)

White lacquered steel (similar to RAL 9016)

Black lacquered steel (similar to RAL 9004)

Note:

Reinforced packaging, see inside cover.

Top finish/external details on leg:

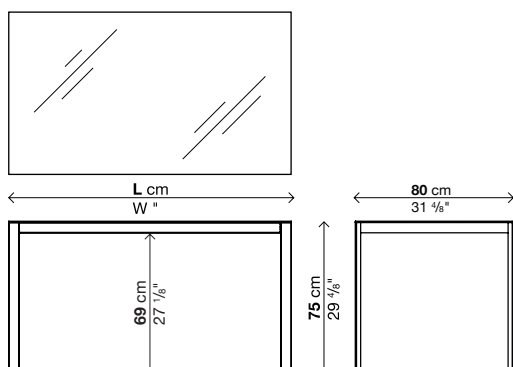
Gloss glass in colours: extra white, anthracite grey, black, titanium

Matt glass in colours: extra white, anthracite grey, black, titanium

Code	Lenght	Legs	Top		pack	m ²	Kg
			Gloss glass	Matt glass			
01THK11F	123	Lacquered			1	0,27	39
01THK12F	150	Lacquered			1	0,32	44

Optionals

Code	Description	pack	m ²	Kg
02RET09	Plastic cable mesh	1	0,07	1
02VER01	Vertebra, opal white methacrylate	1	0,01	1,5
02CPU07	CPU unit, opal white methacrylate	1	0,14	5,5
	Cable hole and management, see page 320	-	-	-



THIN-K GLASS

Extensible - Depth 90 cm

Leg finish:

Aluminium grey lacquered steel (similar to RAL 7042)

White lacquered steel (similar to RAL 9016)

Black lacquered steel (similar to RAL 9004)

Note:

Reinforced packaging, see inside cover.

Top finish/external details on leg:

Gloss glass in colours: extra white, anthracite grey, black, titanium

Matt glass in colours: extra white, anthracite grey, black, titanium

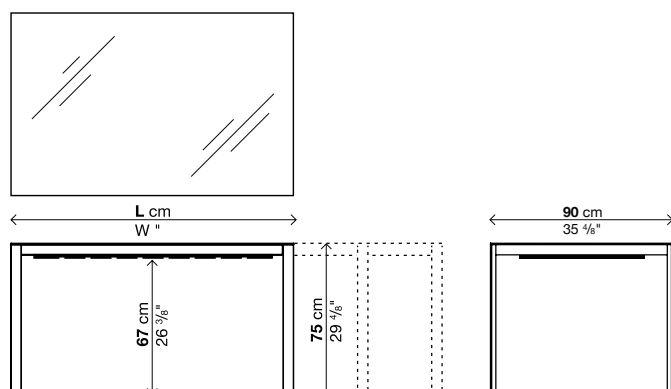
Finish of extensions:

Aluminium grey lacquered aluminium (similar to RAL 7042)

White lacquered aluminium (similar to RAL 9016)

Black lacquered aluminium (similar to RAL 9004)

Code	Lenght	Legs	Top		pack	m ²	Kg
			Gloss glass	Matt glass			
01THK15	150-190-231	Lacquered			1	0,36	66
01THK14	170-210-250	Lacquered			1	0,37	76



THIN-K GLASS

Fixed - Depth 90 cm

Leg finish:

Aluminium grey lacquered steel (similar to RAL 7042)

White lacquered steel (similar to RAL 9016)

Black lacquered steel (similar to RAL 9004)

Note:

Reinforced packaging, see inside cover.

Top finish/external details on leg:

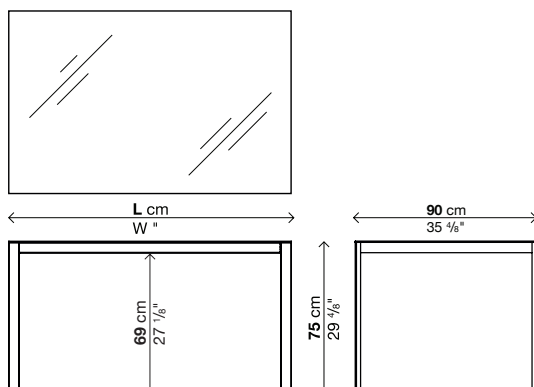
Gloss glass in colours: extra white, anthracite grey, black, titanium

Matt glass in colours: extra white, anthracite grey, black, titanium

Code	Lenght	Legs	Top		pack	m ³	Kg
			Gloss glass	Matt glass			
01THK15F	150	Lacquered			1	0,36	47
01THK14F	170	Lacquered			1	0,37	53

Optionals

Code	Description	pack	m ³	Kg
02RET10	Plastic cable mesh	1	0,07	1
02VER01	Vertebra, opal white methacrylate	1	0,01	1,5
02CPU08	CPU unit, opal white methacrylate	1	0,14	5,5
	Cable hole and management, see page 320	-	-	-



THIN-K

Cable hole and management

Finish:

Anodised aluminium

White lacquered aluminium

Black lacquered aluminium

Note:

Only tables in a fixed version with aluminium or wood tops can be equipped with cable cutouts (cable cutouts are not available for glass tops).

The price includes the cutout in the top.

Supply a technical drawing with the required position for the cable hole, making sure that it is positioned in the area shown below.

Each table can have more than one cable hole.

The cable hole can be positioned parallel or perpendicular to the long side (except for tables D.120 cm, which require the parallel position).

Code	Description	Finish		pack	m ³	Kg
		Anodised aluminium	Lacquered			
02PAS01	Rectangular cable duct 30 x 9 cm			-	-	0,5
02PAS02	Rectangular cable hole (30 x 9 cm) in lacquered or anodised aluminium with under-top tray			-	-	0,8
02FOR01	Cable cutout Ø6 cm	-		-	-	-

