

Thin-K / Thin-K Longo Sizes

Depth 80 cm
Depth 31 4/8"

80	80 cm 31 4/8"	→ Aluminium
	123 cm 48 3/8"	→ Aluminium
	123/163/203 cm 48 3/8/64 1/8/79"	→ Aluminium
	150 cm 59"	→ Aluminium
	150/190/230 cm 59/74 7/8/90 1/2"	→ Aluminium

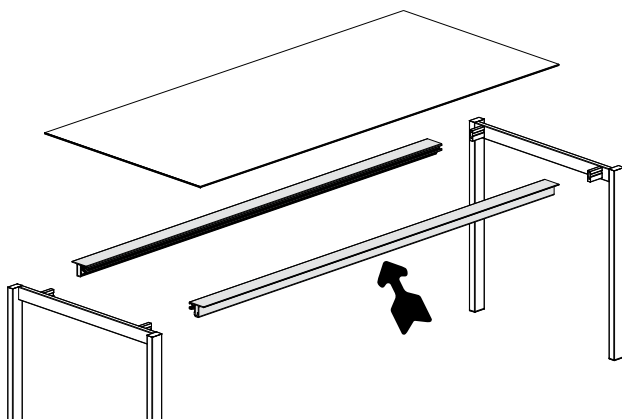
Depth 90 cm
Depth 35 3/8"

90	150 cm 59"	→ Aluminium
	150/190/230 cm 59/74 7/8/90 1/2"	→ Aluminium
	170 cm 66 7/8"	→ Aluminium
	170/210/250 cm 66 7/8/82 3/4/98 3/8"	→ Aluminium

Depth 100 cm
Depth 39 3/8"

100	200 cm 78 3/4"	→ Aluminium
	200/240/280 cm 78 3/4/94 1/2/110 2/8"	→ Aluminium
	220 cm 86 5/8"	→ Aluminium
	240 cm 94 4/8"	→ Aluminium
	260 cm 102 3/8"	→ Aluminium
	280 cm 110 2/8"	→ Aluminium
	295 cm 116 1/8"	→ Aluminium

Longo

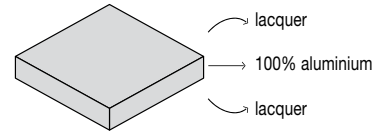
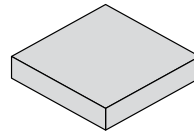


Thin-K tables with aluminium top have under-top bars in anodised aluminium.

Thin-K LONGO tables with aluminium top, have under-top bars lacquered in the same colour as the top.

Tops 6 mm thick

Aluminium



Depth 120 cm
Depth 47²/₈"

120	240 cm 94 ⁴ / ₈ "	→ Aluminium	Longo
	260 cm 102 ³ / ₈ "	→ Aluminium	
	280 cm 110 ² / ₈ "	→ Aluminium	
	295 cm 116 ¹ / ₈ "	→ Aluminium	

Thin-K aluminium

Extensible/Fixed - Depth 80/90/100 cm.

Leg finish:

Steel with aluminium grey lacquer (polyester powder coating) Ral 7042 (VP5)
 Steel with white lacquer (polyester powder coating) Ral 9016 (VP1)
 Steel with sand grey lacquer (polyester powder coating) Ral 9002 (VP2)
 Steel with anthracite grey lacquer (polyester powder coating) Ral 7015 (VP3)
 Steel with black lacquer (polyester powder coating) Ral 9004 (VP4)
 Olive green polyester powder-coated steel (Colour ref. PO08)

Top finish/external details on leg/extensions:

Aluminium with grey lacquer (polyester powder coating) Ral 7042 (VP5)
 Aluminium with white lacquer (polyester powder coating) Ral 9016 (VP1)
 Aluminium with sand grey lacquer (polyester powder coating) Ral 9002 (VP2)
 Aluminium with anthracite grey lacquer (polyester powder coating) Ral 7015 (VP3)
 Aluminium with black lacquer (polyester powder coating) Ral 9004 (VP4)
 Olive green polyester powder-coated aluminium (Colour ref. PO08)

→ Under-top bars in anodised aluminium.

→ Important: sizes and finishes marked with (I) require longer production lead time, about 6 weeks from the date of the order.

→ Reinforced packaging, see inside of cover.

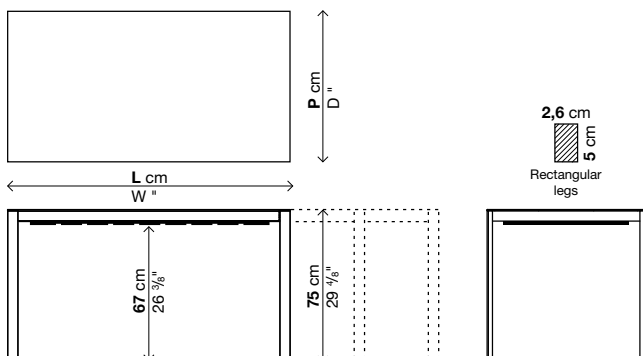
→ "Casper" protective cover, see page 74.

Extensible (►)

Code	Length (L)	Depth	Legs	Top	Price in EURO	Packs	Vol. ³	Kg
01THK01	123-163-203	80	lacquered	lacquered		1	0,27	54
01THK02	150-190-230	80	lacquered	lacquered		1	0,32	62
01THK10	150-190-230	90	lacquered	lacquered		1	0,36	65
01THK04	170-210-250	90	lacquered	lacquered		1	0,37	76
01THK05	200-240-280 (I)	100	lacquered	lacquered		1	0,5	91

Fixed (II)

Code	Length (L)	Depth	Legs	Top	Price in EURO	Packs	Vol. ³	Kg
01THK03F	80	80	lacquered	lacquered		1	0,18	29
01THK01F	123	80	lacquered	lacquered		1	0,27	39
01THK02F	150	80	lacquered	lacquered		1	0,32	44
01THK10F	150	90	lacquered	lacquered		1	0,36	47
01THK04F	170	90	lacquered	lacquered		1	0,37	53
01THK05F	200 (I)	100	lacquered	lacquered		1	0,5	66



Thin-K Longo aluminium

Fixed - Depth 100/120 cm.

Leg finish:

Steel with aluminium grey lacquer (polyester powder coating) Ral 7042 (VP5)
 Steel with white lacquer (polyester powder coating) Ral 9016 (VP1)
 Steel with sand grey lacquer (polyester powder coating) Ral 9002 (VP2)
 Steel with anthracite grey lacquer (polyester powder coating) Ral 7015 (VP3)
 Steel with black lacquer (polyester powder coating) Ral 9004 (VP4)
 Olive green polyester powder-coated steel (Colour ref. PO08)

Top finish/external details on leg:

Aluminium with grey lacquer (polyester powder coating) Ral 7042 (VP5)
 Aluminium with white lacquer (polyester powder coating) Ral 9016 (VP1)
 Aluminium with sand grey lacquer (polyester powder coating) Ral 9002 (VP2)
 Aluminium with anthracite grey lacquer (polyester powder coating) Ral 7015 (VP3)
 Aluminium with black lacquer (polyester powder coating) Ral 9004 (VP4)
 Olive green polyester powder-coated aluminium (Colour ref. PO08)

- Under-top bars lacquered in the same colour as the top.
- Important: sizes and finishes marked with (!) require longer production lead time, about 6 weeks from the date of the order.
- Reinforced packaging, see inside of cover.
- "Casper" protective cover, see page 74.

Fixed (II)

Code	Length (L)	Depth	Legs	Top	Price in EURO	Packs	Vol. ³	Kg
01THK08F	220 (!)	100	lacquered	lacquered		1	0,55	80
01THK09F	240 (!)	100	lacquered	lacquered		1	0,59	86
01THK30F	260 (!)	100	lacquered	lacquered		1	0,64	91
01THK31F	280 (!)	100	lacquered	lacquered		1	0,68	97
01THK07F	295 (!)	100	lacquered	lacquered		1	0,73	101
01THK32F	240 (!)	120	lacquered	lacquered		1	0,69	110
01THK33F	260 (!)	120	lacquered	lacquered		1	0,75	118
01THK34F	280 (!)	120	lacquered	lacquered		1	0,8	125
01THK35F	295 (!)	120	lacquered	lacquered		1	0,86	131

