

# SUSHI

## Sizes

### Prof. 80 cm Depth 314/8"

80	80 cm 314/8"	→ Alucompact® → Pure-white → Glass
	125 cm 49 2/8"	→ Alucompact® → Pure-white → Glass
	125/165/205 cm 49 2/8/65/80 3/4"	→ Alucompact® → Pure-white → Glass
	150 cm 59"	→ Alucompact® → Pure-white → Glass
	150/190/230 cm 59/74 7/8/90 4/8"	→ Alucompact® → Pure-white → Glass
	177 cm 69 3/4"	→ Alucompact® → Pure-white → Glass
	177/217/257 cm 69 3/4/85 4/8/101 2/8"	→ Alucompact® → Pure-white → Glass
	200 cm 78 3/4"	→ Alucompact® → Pure-white → Glass
	220 cm 86 5/8"	→ Alucompact® → Pure-white → Glass
	240 cm 94 4/8"	→ Alucompact® → Pure-white → Glass
	260 cm 102 3/8"	→ Alucompact® → Pure-white → Glass
	280 cm 110 2/8"	→ Alucompact® → Pure-white → Glass
	300 cm 118 1/8"	→ Alucompact® → Pure-white → Glass

### Prof. 90 cm Depth 353/8"

90	90 cm 35 3/8"	→ Alucompact® → Pure-white → Glass
	125 cm 49 2/8"	→ Alucompact® → Pure-white → Glass
	150 cm 59"	→ Alucompact® → Pure-white → Fenix-NTM® → Glass → DEKTON®
	150/187/224 cm 59/73 5/8/88 2/8"	→ Alucompact® → Pure-white → Fenix-NTM® → Glass
	150/187/224 cm 59/73 5/8/88 2/8"	→ DEKTON®
	177 cm 69 3/4"	→ Alucompact® → Pure-white → Fenix-NTM® → Glass → DEKTON®
	177/212/247/282 cm 69 5/8/83 4/8/97 2/8/111"	→ Wood
	177/214/251/288 cm 69 3/4/84 2/8/98 7/8/113 3/8"	→ Alucompact® → Pure-white → Fenix-NTM® → Glass
	177/214/251 cm 69 3/4/84 2/8/98 7/8"	→ DEKTON®
	200 cm 78 6/4"	→ Alucompact® → Pure-white → Fenix-NTM® → Glass → DEKTON® → Wood
	200/235/270/305 cm 78 6/8/92 4/8/106 2/8/120 1/8"	→ Wood
	200/237/274 cm 78 6/4/93 1/4/107 7/8"	→ Alucompact® → Pure-white → Fenix-NTM® → Glass
	200/237/274 cm 78 6/4/93 1/4/107 7/8"	→ DEKTON®
	220 cm 86 5/8"	→ Alucompact® → Pure-white → Fenix-NTM® → Glass → Wood
	220/257/294 cm 86 5/8/101 2/8/116 1/8"	→ Alucompact® → Pure-white → Fenix-NTM® → Glass
	220/264/308 cm 86 5/8/103 7/8/121 2/8"	→ Wood
	240 cm 94 4/8"	→ Alucompact® → Pure-white → Glass → Wood
	260 cm 102 3/8"	→ Alucompact® → Pure-white → Glass → Wood

90	280 cm 110 2/8"	→ Alucompact® → Pure-white → Glass → Wood
	300 cm 118 1/8"	→ Alucompact® → Pure-white → Glass → Wood
100	100 cm 39 3/8"	→ Alucompact® → Pure-white → Glass
	100/170 cm 39 3/8/67"	→ Alucompact® → Pure-white → Glass
	150 cm 59"	→ Alucompact® → Pure-white → Glass
	177 cm 69 3/4"	→ Alucompact® → Pure-white → Fenix-NTM® → Glass → DEKTON®
	177/224/271 cm 69 3/4/88 5/8/106 3/4"	→ Alucompact® → Pure-white → Fenix-NTM® → Glass
	177/214/251 cm 69 3/4/84 2/8/98 7/8"	→ DEKTON®
	177/212/247/282 cm 69 3/4/83 4/8/97 2/8/111"	→ Wood
	200 cm 78 3/4"	→ Alucompact® → Pure-white → Fenix-NTM® → Glass → DEKTON® → Wood
	200/247/294 cm 78 3/4/97 2/8/115 3/4"	→ Alucompact® → Pure-white → Fenix-NTM® → Glass
	200/237/274 cm 78 3/4/93 1/4/107 7/8"	→ DEKTON®
	200/235/270/305 cm 78 3/4/92 4/8/106 2/8/120 1/8"	→ Wood
	220 cm 86 5/8"	→ Alucompact® → Pure-white → Fenix-NTM® → Glass → Wood
	220/267/314 cm 86 5/8/105 1/8/123 3/4"	→ Alucompact® → Pure-white → Fenix-NTM® → Glass
	220/264/308 cm 86 5/8/103 7/8/121 2/8"	→ Wood

\* = 3" additional extensions (on request)

# Tops

100

240 cm  
94 4/8"

- Alucompact®
- Pure-white
- Glass
- DEKTON®
- Wood

260 cm  
102 3/8"

- Alucompact®
- Pure-white
- Glass
- Wood

280 cm  
110 2/8"

- Alucompact®
- Pure-white
- Glass
- DEKTON®
- Wood

300 cm  
118 1/8"

- Alucompact®
- Pure-white
- Glass
- Wood

## Prof. 124 cm Depth 48 7/8"

124

220 cm  
86 5/8"

- Alucompact®
- Pure-white
- Glass

240 cm  
94 4/8"

- Alucompact®
- Pure-white
- Glass

288 cm  
113 3/8"

- Alucompact®
- Pure-white
- Glass

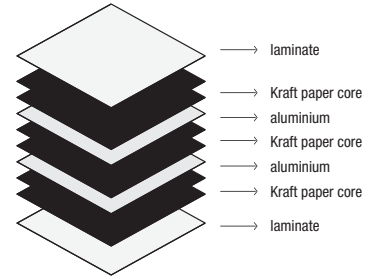
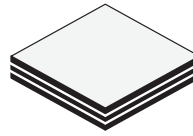
## Prof. 140 cm Depth 55 1/8"

140

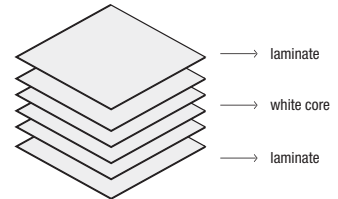
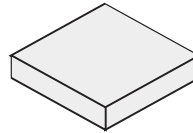
140 cm  
55 1/8"

- Glass

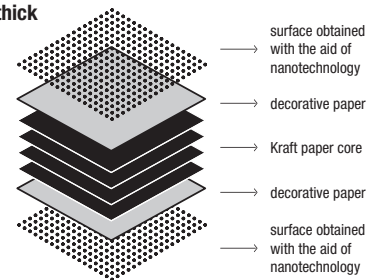
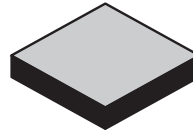
### Alucompact® 10 mm thick



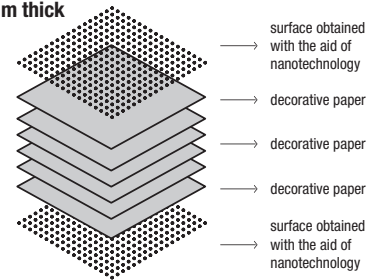
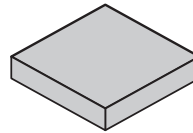
### Pure-white 10 mm thick



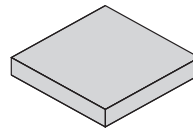
### Fenix-NTM® black edge 10 mm thick



### Fenix-NTM® coloured edge 10 mm thick

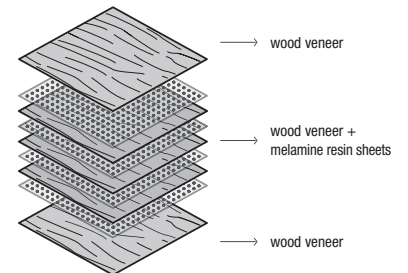
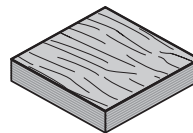


### DEKTON® by Cosentino 8 mm thick

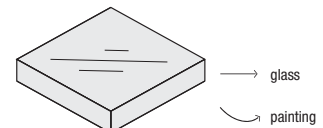
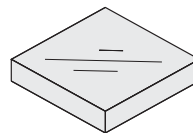


Dekton is a sophisticated mix of raw materials used to create glass, latest generation ceramic and top-quality quartz surfaces.

### Wood 10 mm thick



### Glass 10 mm thick



# SUSHI ALUCOMPACT® / PURE-WHITE

## Extensible - Depth 80 cm

### Leg finish:

Anodised aluminium

White lacquered aluminium (similar to RAL 9016)

"Alucompact® sand grey" lacquered aluminium (similar to RAL 9002)

"Alucompact® anthracite grey" lacquered aluminium (similar to RAL 7015)

Black lacquered aluminium (similar to RAL 9004)

### Finish of top/extensions:

Alucompact® laminate (white, sand grey, anthracite grey, black)

---

Pure-white laminate

### Note:

For tables with codes marked with an asterisk (\*), a third extension can be added to further increase the length.

Important: sizes and finishes marked with (!) require longer production lead time, about 6 weeks from the date of the order.

Tables that extend to more than 250 cm have a top that slightly bends, which complies with accepted quality standards.

Reinforced packaging, see inside cover.

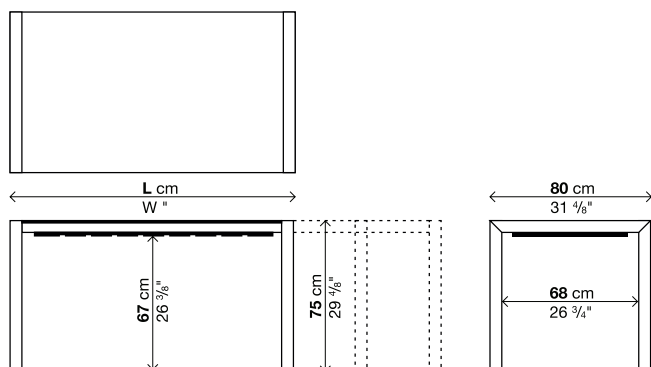
Code	Lenght	Legs	Top		pack	m <sup>3</sup>	Kg
			Alucompact®	Pure-white (!)			
01SUS01	125-165-205	Aluminium			3	0,32	55
		Lacquered					
01SUS03*	150-190-230	Aluminium			3	0,37	61
		Lacquered					
01SUS08*	177-217-257	Aluminium			3	0,42	67
		Lacquered					

### (\*) 3<sup>rd</sup> additional extension

Code	Lenght	Top		pack	m <sup>3</sup>	Kg
		Alucompact®	Pure-white			
50SUS5A	33 cm			1	0,03	6

### Optionals

Code	Description	pack	m <sup>3</sup>	Kg
02GTA02	Legs height cut to size	-	-	-



# SUSHI ALUcompact® / PURE-WHITE

## Fixed - Depth 80 cm

### Leg finish:

Anodised aluminium  
 White lacquered aluminium (similar to RAL 9016)  
 "Alucompact® sand grey" lacquered aluminium (similar to RAL 9002)  
 "Alucompact® anthracite grey" lacquered aluminium (similar to RAL 7015)  
 Black lacquered aluminium (similar to RAL 9004)

### Finish of top:

Alucompact® laminate (white, sand grey, anthracite grey, black)

---  
 Pure-white laminate

### Note:

Important: sizes and finishes marked with (!) require longer production lead time, about 6 weeks from the date of the order.

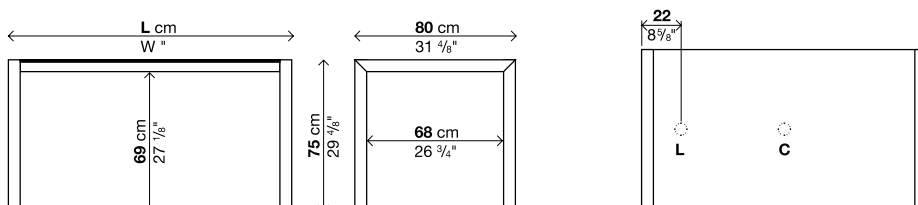
Tables that extend to more than 250 cm have a top that slightly bends, which complies with accepted quality standards.

Reinforced packaging, see inside cover.

Code	Lenght	Legs	Top		pack	m³	Kg
			Alucompact®	Pure-white			
01SUS10F	80 (!)	Aluminium			1	0,18	26
		Lacquered					
01SUS01F	125 (!)	Aluminium			1	0,27	35
		Lacquered					
01SUS03F	150 (!)	Aluminium			1	0,32	41
		Lacquered					
01SUS32F	177 (!)	Aluminium			1	0,37	47
		Lacquered					
01SUS34F	200 (!)	Aluminium			1	0,41	52
		Lacquered					
01SUS38F	220 (!)	Aluminium			1	0,45	56
		Lacquered					
01SUS43F	240 (!)	Aluminium			1	0,49	60
		Lacquered					
01SUS48F	260 (!)	Aluminium			1	0,53	65
		Lacquered					
01NOR51F	280 (!)	Aluminium			1	0,57	68
		Lacquered					
01NOR55F	300 (!)	Aluminium			1	0,61	72
		Lacquered					

### Optionals

Code	Description	pack	m³	Kg
02GTA02	Legs height cut to size	-	-	-
02FOR01	Lateral or central cable hole Ø6	-	-	-
02RET01	Plastic cable mesh	1	0,07	1
02VER01	Vertebra, opal white methacrylate	1	0,007	1,5
02CPU01	CPU unit, opal white methacrylate	1	0,14	5,5



# SUSHI ALUCOMPACT® / PURE-WHITE / FENIX-NTM®

## Extensible - Depth 90 cm

### Leg finish:

Anodised aluminium  
 White lacquered aluminium (similar to RAL 9016)  
 "Alucompact® sand grey" lacquered aluminium (similar to RAL 9002)  
 "Alucompact® anthracite grey" lacquered aluminium (similar to RAL 7015)  
 Black lacquered aluminium (similar to RAL 9004)  
 Olive green lacquered aluminium (colour reference "Olive green polyurethane P008")

### Finish of top/extensions:

Alucompact® laminate (white, sand grey, anthracite grey, black)  
 ---  
 Pure-white laminate  
 ---  
 Fenix-NTM® black edge (white Kos 0032, London grey 0718, Bromo grey 0724, Ingo black 0720)  
 ---  
 Fenix-NTM® coloured edge (white Kos 0032, London grey 0718)

### Note:

For tables with codes marked with an asterisk (\*), a third extension can be added to further increase the length.

Important: sizes and finishes marked with (!) require longer production lead time, about 6 weeks from the date of the order.

Tables that extend to more than 250 cm have a top that slightly bends, which complies with accepted quality standards.

Reinforced packaging, see inside cover.

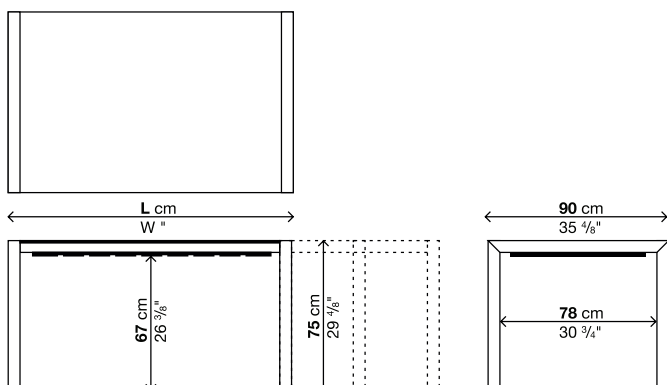
Code	Lenght	Legs	Top				pack	m³	Kg
			Alucompact®	Fenix-NTM® black edge	Pure-white	Fenix-NTM® coloured edge			
01SUS07*	150-187-224	Aluminium					3	0,41	71
		Lacquered							
01SUS06	177-214-251-288 3 <sup>rd</sup> standard extension	Aluminium					4	0,5	81
		Lacquered							
01SUS09*	200-237-274	Aluminium					3	0,51	82
		Lacquered							
01SUS35*	220-257-294	Aluminium					3	0,55	88
		Lacquered							

### (\*) 3<sup>rd</sup> additional extension

Code	Lenght	Top				pack	m³	Kg
		Alucompact®	Fenix-NTM® black edge	Pure-white	Fenix-NTM® coloured edge			
50SUS2A	37,5 cm					1	0,03	6,5

### Optionals

Code	Description	pack	m³	Kg
02GTA02	Legs height cut to size	-	-	-



# SUSHI ALUCOMPACT® / PURE-WHITE / FENIX-NTM®

## Fixed - Depth 90 cm

### Leg finish:

Anodised aluminium  
 White lacquered aluminium (similar to RAL 9016)  
 "Alucompact® sand grey" lacquered aluminium (similar to RAL 9002)  
 "Alucompact® anthracite grey" lacquered aluminium (similar to RAL 7015)  
 Black lacquered aluminium (similar to RAL 9004)  
 Olive green lacquered aluminium (colour reference "Olive green polyurethane PO08")

### Finish of top:

Alucompact® laminate (white, sand grey, anthracite grey, black)  
 Pure-white laminate

---

Fenix-NTM® black edge (white Kos 0032, London grey 0718, Bromo grey 0724, Ingo black 0720)  
 Fenix-NTM® coloured edge (white Kos 0032, London grey 0718)

### Note:

Important: sizes and finishes marked with (!) require longer production lead time, about 6 weeks from the date of the order.

Tables that extend to more than 250 cm have a top that slightly bends, which complies with accepted quality standards.

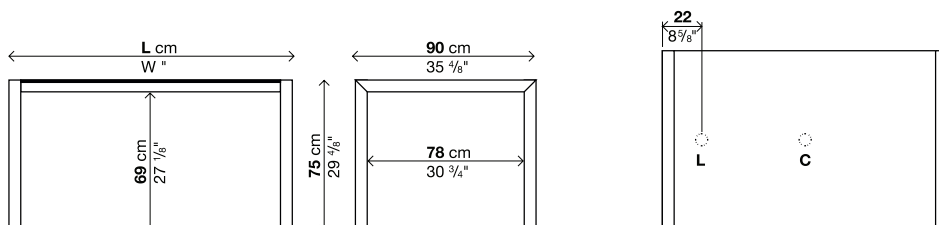
Table L. 280 and 300 cm have an under-top bars as a central support, therefore any cable hole cutouts cannot be centrally positioned in depth but must be slightly shifted.

Reinforced packaging, see inside cover.

Code	Lenght	Legs	Top				pack	m³	Kg
			Alucompact®	Fenix-NTM® black edge	Pure-white	Fenix-NTM® coloured edge			
01SUS57F	90	Aluminium		-		-	1	0,23	30
		Lacquered		-		-			
01SUS59F	125	Aluminium		-		-	1	0,3	41
		Lacquered		-		-			
01SUS07F	150	Aluminium					1	0,36	46
		Lacquered							
01SUS06F	177	Aluminium					1	0,42	52
		Lacquered							
01SUS64F	200	Aluminium					1	0,46	57
		Lacquered							
01SUS35F	220 (!)	Aluminium					1	0,5	62
		Lacquered							
01SUS68F	240 (!)	Aluminium		-		-	1	0,55	66
		Lacquered		-		-			
01SUS70F	260 (!)	Aluminium		-		-	1	0,59	71
		Lacquered		-		-			
01SUS72F	280 (!)	Aluminium		-		-	1	0,63	79
		Lacquered		-		-			
01SUS74F	300 (!)	Aluminium		-		-	1	0,67	85
		Lacquered		-		-			

### Optionals

Code	Description	pack	m³	Kg
02GTA02	Legs height cut to size	-	-	-
02FOR01	Lateral or central cable hole Ø6	-	-	-
02RET02	Plastic cable mesh	1	0,07	1
02VER01	Vertebra, opal white methacrylate	1	0,007	1,5
02CPU02	CPU unit, opal white methacrylate	1	0,14	5,5



# SUSHI ALUCOMPACT® / PURE-WHITE / FENIX-NTM®

## Extensible - Depth 100 cm

### Leg finish:

Anodised aluminium  
 White lacquered aluminium (similar to RAL 9016)  
 "Alucompact® sand grey" lacquered aluminium (similar to RAL 9002)  
 "Alucompact® anthracite grey" lacquered aluminium (similar to RAL 7015)  
 Black lacquered aluminium (similar to RAL 9004)  
 Olive green lacquered aluminium (colour reference "Olive green polyurethane P008")

### Note:

For tables with codes marked with an asterisk (\*), a third extension can be added to further increase the length.

Tables that extend to more than 250 cm have a top that slightly bends, which complies with accepted quality standards.

Reinforced packaging, see inside cover.

### Finish of top/extensions:

Alucompact® laminate (white, sand grey, anthracite grey, black)  
 ---  
 Pure-white laminate  
 ---  
 Fenix-NTM® black edge (white Kos 0032, London grey 0718, Bromo grey 0724, Ingo black 0720)  
 ---  
 Fenix-NTM® coloured edge (white Kos 0032, London grey 0718)

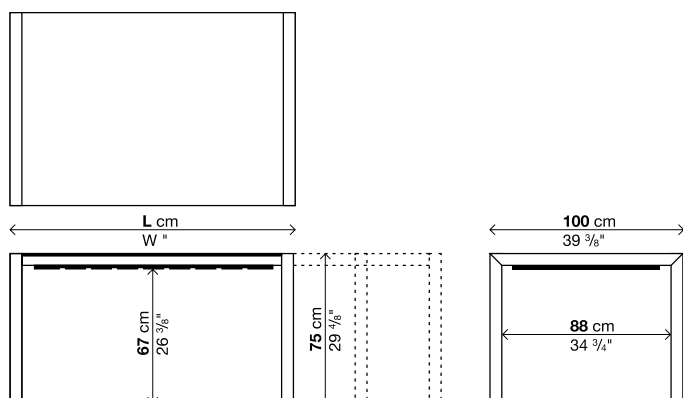
Code	Lenght	Legs	Top				pack	m <sup>3</sup>	Kg
			Alucompact®	Fenix-NTM® black edge	Pure-white	Fenix-NTM® coloured edge			
01SUS04	100-170	Aluminium		-		-	3	0,33	55
		Lacquered		-		-			
01SUS02*	177-224-271	Aluminium					3	0,52	85
		Lacquered							
01SUS36*	200-247-294	Aluminium					3	0,57	92
		Lacquered							
01SUS05*	220-267-314	Aluminium					3	0,62	98
		Lacquered							

### (\*) 3<sup>rd</sup> additional extension

Code	Lenght	Top				pack	m <sup>3</sup>	Kg
		Alucompact®	Fenix-NTM® black edge	Pure-white	Fenix-NTM® coloured edge			
50SUS6A	33 cm					1	0,03	6

### Optionals

Code	Description	pack	m <sup>3</sup>	Kg
02GTA02	Legs height cut to size	-	-	-



# SUSHI ALUcompact® / PURE-WHITE / FENIX-NTM®

## Fixed - Depth 100 cm

### Leg finish:

Anodised aluminium  
 White lacquered aluminium (similar to RAL 9016)  
 "Alucompact® sand grey" lacquered aluminium (similar to RAL 9002)  
 "Alucompact® anthracite grey" lacquered aluminium (similar to RAL 7015)  
 Black lacquered aluminium (similar to RAL 9004)  
 Olive green lacquered aluminium (colour reference "Olive green polyurethane PO08")

### Finish of top:

Alucompact® laminate (white, sand grey, anthracite grey, black)  
 Pure-white laminate  
 ---  
 Fenix-NTM® black edge (white Kos 0032, London grey 0718, Bromo grey 0724, Ingo black 0720)  
 Fenix-NTM® coloured edge (white Kos 0032, London grey 0718)

### Note:

Important: sizes and finishes marked with (!) require longer production lead time, about 6 weeks from the date of the order.

Tables that extend to more than 250 cm have a top that slightly bends, which complies with accepted quality standards.

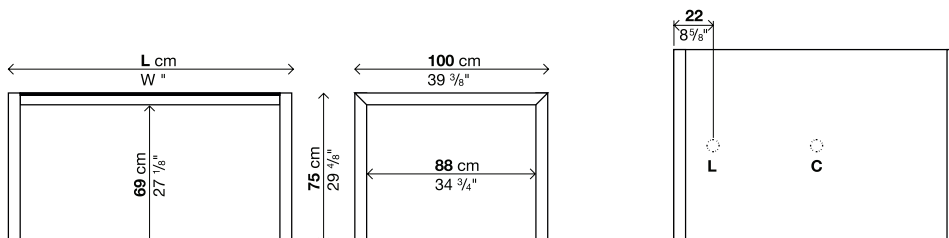
Table L. 280 and 300 cm have an under-top bars as a central support, therefore any cable hole cutouts cannot be centrally positioned in depth but must be slightly shifted.

Reinforced packaging, see inside cover.

Code	Lenght	Legs	Top				pack	m <sup>3</sup>	Kg
			Alucompact®	Fenix-NTM® black edge	Pure-white	Fenix-NTM® coloured edge			
<b>01SUS04F</b>	100	Aluminium		-		-	1	0,32	40
		Lacquered		-		-			
<b>01SUS78F</b>	150	Aluminium		-		-	1	0,39	50
		Lacquered		-		-			
<b>01SUS02F</b>	177	Aluminium					1	0,45	56
		Lacquered							
<b>01SUS08F</b>	200	Aluminium					1	0,5	62
		Lacquered							
<b>01SUS05F</b>	220	Aluminium					1	0,55	67
		Lacquered							
<b>01SUS09F</b>	240 (!)	Aluminium		-		-	1	0,6	72
		Lacquered		-		-			
<b>01SUS80F</b>	260 (!)	Aluminium		-		-	1	0,65	77
		Lacquered		-		-			
<b>01SUS82F</b>	280 (!)	Aluminium		-		-	1	0,69	85
		Lacquered		-		-			
<b>01SUS36F</b>	300 (!)	Aluminium		-		-	1	0,74	90
		Lacquered		-		-			

### Optionals

Code	Description	pack	m <sup>3</sup>	Kg
<b>02GTA02</b>	Legs height cut to size	-	-	-
<b>02FOR01</b>	Lateral or central cable hole Ø6	-	-	-
<b>02RET03</b>	Plastic cable mesh	1	0,07	1
<b>02VER01</b>	Vertebra, opal white methacrylate	1	0,007	1,5
<b>02CPU03</b>	CPU unit, opal white methacrylate	1	0,14	5,5





# SUSHI ALUCOMPACT® / PURE-WHITE

## Fixed - Depth 124 cm

### Leg finish:

Anodised aluminium  
 White lacquered aluminium (similar to RAL 9016)  
 "Alucompact® sand grey" lacquered aluminium (similar to RAL 9002)  
 "Alucompact® anthracite grey" lacquered aluminium (similar to RAL 7015)  
 Black lacquered aluminium (similar to RAL 9004)  
 Olive green lacquered aluminium (colour reference "Olive green polyurethane P008")

### Finish of top:

Alucompact® laminate (white, sand grey, anthracite grey, black)  
 ---  
 Pure-white laminate

### Note:

Important: sizes and finishes marked with (!) require longer production lead time, about 6 weeks from the date of the order.

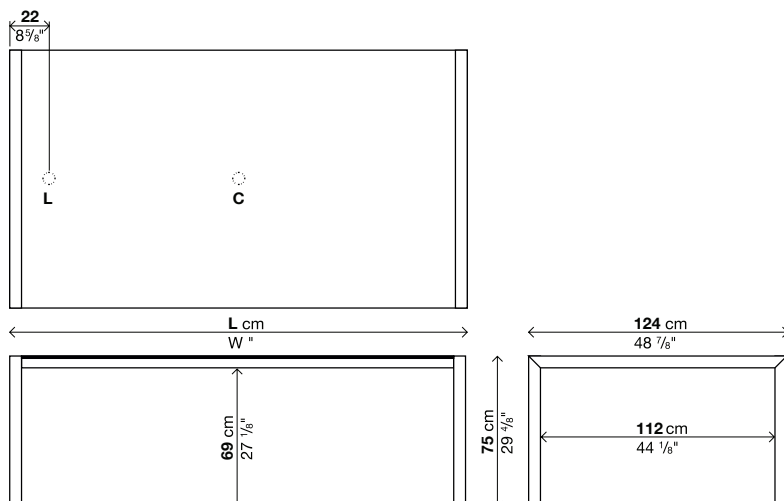
Tables that extend to more than 250 cm have a top that slightly bends, which complies with accepted quality standards.

Reinforced packaging, see inside cover.

Code	Lenght	Legs	Top		pack	m³	Kg
			Alucompact®	Pure-white			
01SUS88F	220 (!)	Aluminium			1	0,66	86
		Lacquered					
01SUS90F	240 (!)	Aluminium			1	0,72	92
		Lacquered					
01SUS92F	288 (!)	Aluminium			1	0,85	108
		Lacquered					

### Optionals

Code	Description	pack	m³	Kg
02GTA02	Legs height cut to size	-	-	-
02FOR01	Lateral or central cable hole Ø6	-	-	-
02RET04	Plastic cable mesh	1	0,07	1
02VER01	Vertebra, opal white methacrylate	1	0,007	1,5
02CPU04	CPU unit, opal white methacrylate	1	0,14	5,5



# SUSHI DEKTON® BY COSENTINO

## Extensible - Depth 90 cm

### Leg finish:

Anodised aluminium  
 White lacquered aluminium (similar to RAL 9016)  
 "Ventus grey" lacquered aluminium  
 Olive green lacquered aluminium (colour reference "Olive green polyurethane P008")

### Finish of top:

DEKTON® Zenith white  
 DEKTON® Ventus grey  
 DEKTON® Aura (digital marble)

### Finish of extensions:

White lacquered aluminium (similar to RAL 9016)  
 "Ventus grey" lacquered aluminium

### Note:

Important: the grain pattern reproduced on the surface of DEKTON® Aura (digital marble) tops is random, a special feature that makes each top unique and original. This characteristic implies possible differences to samples that are not to be considered imperfections or irregularities. Due to their random nature, uniform grain patterns cannot be requested.

Important: sizes and finishes marked with (!) require longer production lead time, about 6 weeks from the date of the order.

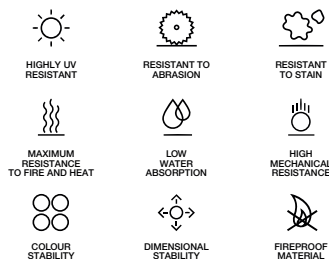
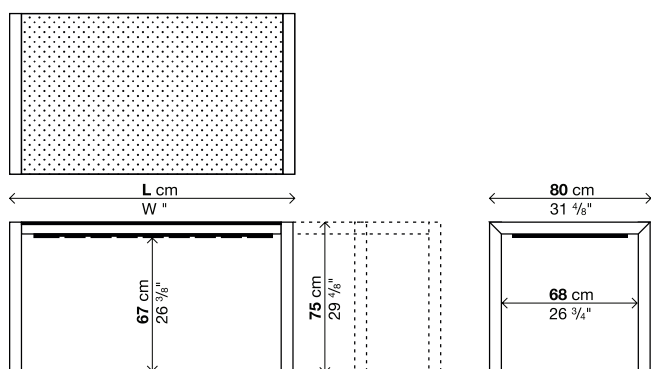
Tables that extend to more than 250 cm have a top that slightly bends, which complies with accepted quality standards.

Reinforced packaging, see inside cover.

Code	Lenght	Legs	Top	pack	m <sup>3</sup>	Kg
			DEKTON®			
01SUS07	150-187-224 (!)	Aluminium		3	0,41	89
		Lacquered				
01SUS06	177-214-251 (!)	Aluminium		3	0,5	102
		Lacquered				
01SUS09	200-237-274 (!)	Aluminium		3	0,51	105
		Lacquered				

### Optionals

Code	Description	pack	m <sup>3</sup>	Kg
02GTA02	Legs height cut to size	-	-	-



# SUSHI DEKTON® BY COSENTINO

## Fixed - Depth 90 cm

### Leg finish:

Anodised aluminium  
 White lacquered aluminium (similar to RAL 9016)  
 "Ventus grey" lacquered aluminium  
 Olive green lacquered aluminium (colour reference "Olive green polyurethane P008")

### Finish of top:

DEKTON® Zenith white  
 DEKTON® Ventus grey  
 DEKTON® Aura (digital marble)

### Note:

Important: the grain pattern reproduced on the surface of DEKTON® Aura (digital marble) tops is random, a special feature that makes each top unique and original. This characteristic implies possible differences to samples that are not to be considered imperfections or irregularities. Due to their random nature, uniform grain patterns cannot be requested.

Important: sizes and finishes marked with (!) require longer production lead time, about 6 weeks from the date of the order.

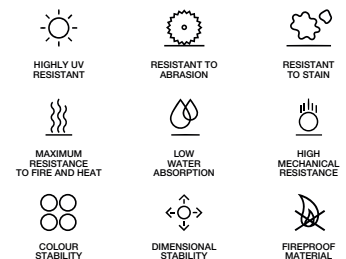
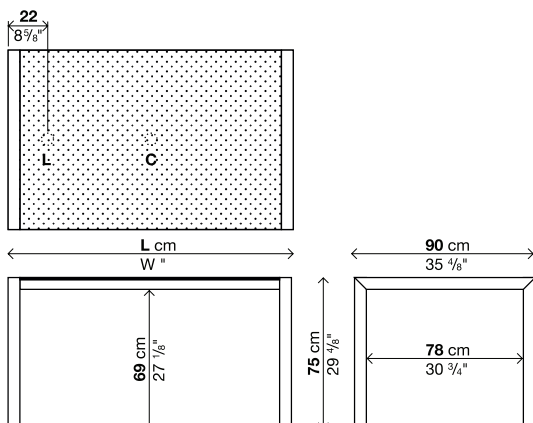
Tables that extend to more than 250 cm have a top that slightly bends, which complies with accepted quality standards.

Reinforced packaging, see inside cover.

Code	Lenght	Legs	Top	pack	m <sup>3</sup>	Kg
			DEKTON®			
<b>01SUS07F</b>	150 (!)	Aluminium		1	0,36	60
		Lacquered				
<b>01SUS06F</b>	177 (!)	Aluminium		1	0,42	69
		Lacquered				
<b>01SUS64F</b>	200 (!)	Aluminium		1	0,46	76
		Lacquered				

### Optionals

Code	Description	pack	m <sup>3</sup>	Kg
<b>02GTA02</b>	Legs height cut to size	-	-	-
<b>02RET02</b>	Plastic cable mesh	1	0,07	1
<b>02VER01</b>	Vertebra, opal white methacrylate	1	0,007	1,5
<b>02CPU02</b>	CPU unit, opal white methacrylate	1	0,14	5,5



# SUSHI DEKTON® BY COSENTINO

## Extensible - Depth 100 cm

### Leg finish:

Anodised aluminium  
 White lacquered aluminium (similar to RAL 9016)  
 "Ventus grey" lacquered aluminium  
 Olive green lacquered aluminium (colour reference "Olive green polyurethane P008")

### Finish of top:

DEKTON® Zenith white  
 DEKTON® Ventus grey  
 DEKTON® Aura (digital marble)

### Finish of extensions:

White lacquered aluminium (similar to RAL 9016)  
 "Ventus grey" lacquered aluminium

### Note:

Important: the grain pattern reproduced on the surface of DEKTON® Aura (digital marble) tops is random, a special feature that makes each top unique and original. This characteristic implies possible differences to samples that are not to be considered imperfections or irregularities. Due to their random nature, uniform grain patterns cannot be requested.

Important: sizes and finishes marked with (!) require longer production lead time, about 6 weeks from the date of the order.

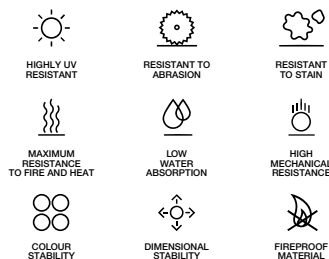
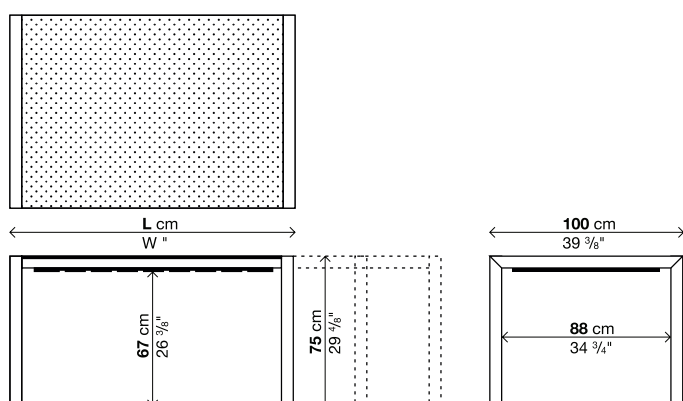
Tables that extend to more than 250 cm have a top that slightly bends, which complies with accepted quality standards.

Reinforced packaging, see inside cover.

Code	Lenght	Legs	Top	pack	m <sup>2</sup>	Kg
			DEKTON®			
01SUS02	177-214-251 (!)	Aluminium		3	0,52	108
		Lacquered				
01SUS36	200-237-274 (!)	Aluminium		3	0,57	118
		Lacquered				

### Optionals

Code	Description	pack	m <sup>2</sup>	Kg
02GTA02	Legs height cut to size	-	-	-



# SUSHI DEKTON® BY COSENTINO

## Fixed - Depth 100 cm

### Leg finish:

Anodised aluminium  
 White lacquered aluminium (similar to RAL 9016)  
 "Ventus grey" lacquered aluminium  
 Olive green lacquered aluminium (colour reference "Olive green polyurethane P008")

### Finish of top:

DEKTON® Zenith white  
 DEKTON® Ventus grey  
 DEKTON® Aura (digital marble)

### Note:

Important: the grain pattern reproduced on the surface of DEKTON® Aura (digital marble) tops is random, a special feature that makes each top unique and original. This characteristic implies possible differences to samples that are not to be considered imperfections or irregularities. Due to their random nature, uniform grain patterns cannot be requested.

Important: sizes and finishes marked with (!) require longer production lead time, about 6 weeks from the date of the order.

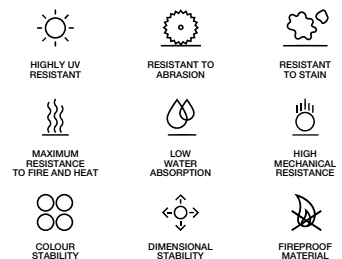
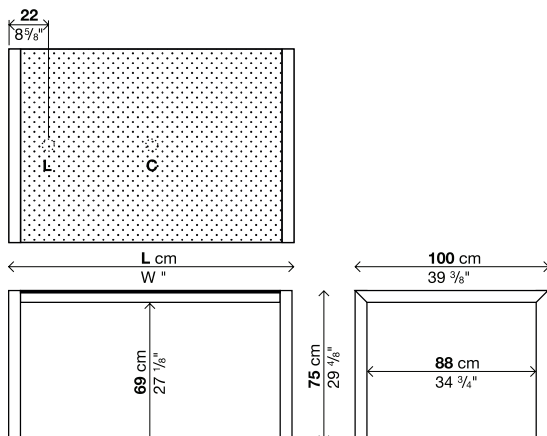
Tables that extend to more than 250 cm have a top that slightly bends, which complies with accepted quality standards.

Reinforced packaging, see inside cover.

Code	Lenght	Legs	Top	pack	m <sup>3</sup>	Kg
			DEKTON®			
01SUS02F	177	Aluminium		1	0,45	74
		Lacquered				
01SUS08F	200	Aluminium		1	0,5	83
		Lacquered				
01SUS09F	240	Aluminium		1	0,6	97
		Lacquered				
01SUS82F	280	Aluminium		1	0,69	115
		Lacquered				

### Optionals

Code	Description	pack	m <sup>3</sup>	Kg
02GTA02	Legs height cut to size	-	-	-
02RET03	Plastic cable mesh	1	0,07	1
02VER01	Vertebra, opal white methacrylate	1	0,007	1,5
02CPU03	CPU unit, opal white methacrylate	1	0,14	5,5



# SUSHI WOOD

## Extensible - Depth 90 cm

### Base finish:

Anodised aluminium  
 White lacquered aluminium (similar to Ral 9016)  
 "Alucompact® sand grey" lacquered aluminium (similar to Ral 9002)  
 "Alucompact® anthracite grey" lacquered aluminium (similar to Ral 7015)  
 "Fenix-NTM® London grey" lacquered aluminium (similar to Ral Design0805005)  
 Black lacquered aluminium (similar to Ral 9004)  
 Olive green lacquered aluminium (colour reference "Olive green polyurethane P008")

### Finish of top/extensions:

Wood, european oak effect  
 Wood, walnut effect  
 Wood, black oak effect

### Note:

Important: sizes and finishes marked with (!) require longer production lead time, about 6 weeks from the date of the order.

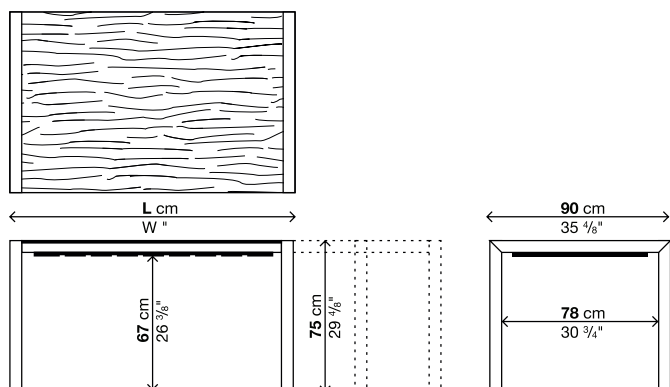
Tables that extend to more than 250 cm have a top that slightly bends, which complies with accepted quality standards.

Reinforced packaging, see inside cover.

Code	Lenght	Legs	Top	pack	m <sup>3</sup>	Kg
			Wood			
01SUS06	177-212-247-282 with three extensions	Aluminium Lacquered		4	0,5	81
01SUS09	200-235-270-305 with three extensions	Aluminium Lacquered		4	0,53	88,5
01SUS35	220-264-308 (!) with two extensions	Aluminium Lacquered		3	0,55	88

### Optionals

Code	Description	pack	m <sup>3</sup>	Kg
02GTA02	Legs height cut to size	-	-	-



# SUSHI WOOD

## Fixed - Depth 90 cm

### Base finish:

Anodised aluminium  
 White lacquered aluminium (similar to Ral 9016)  
 "Alucompact® sand grey" lacquered aluminium (similar to Ral 9002)  
 "Alucompact® anthracite grey" lacquered aluminium (similar to Ral 7015)  
 "Fenix-NTM® London grey" lacquered aluminium (similar to Ral Design0805005)  
 Black lacquered aluminium (similar to Ral 9004)  
 Olive green lacquered aluminium (colour reference "Olive green polyurethane P008")

### Finish of top:

Wood, european oak effect  
 Wood, walnut effect  
 Wood, black oak effect

### Note:

Important: sizes and finishes marked with (!) require longer production lead time, about 6 weeks from the date of the order.

Tables that extend to more than 250 cm have a top that slightly bends, which complies with accepted quality standards.

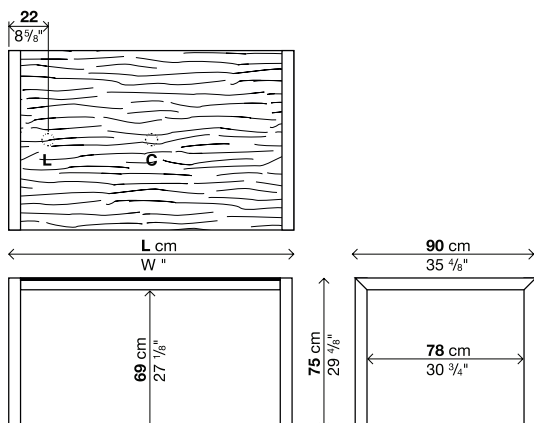
Table L. 269 and 289 cm have an under-top bars as a central support, therefore any cable hole cutouts cannot be centrally positioned in depth but must be slightly shifted.

Reinforced packaging, see inside cover.

Code	Lenght	Legs	Top	pack	m <sup>2</sup>	Kg
			Wood			
01SUS64F	200	Aluminium		1	0,46	57
		Lacquered				
01SUS35F	220 (!)	Aluminium		1	0,5	62
		Lacquered				
01SUS68F	240 (!)	Aluminium		1	0,55	66
		Lacquered				
01SUS70F	260 (!)	Aluminium		1	0,59	71
		Lacquered				
01SUS72F	280 (!)	Aluminium		1	0,63	79
		Lacquered				
01SUS74F	300 (!)	Aluminium		1	0,67	85
		Lacquered				

### Optionals

Code	Description	pack	m <sup>2</sup>	Kg
02GTA02	Legs height cut to size	-	-	-
02FOR01	Lateral or central cable hole Ø6	-	-	-
02RET02	Plastic cable mesh	1	0,07	1
02VER01	Vertebra, opal white methacrylate	1	0,007	1,5
02CPU02	CPU unit, opal white methacrylate	1	0,14	5,5



# SUSHI WOOD

## Extensible - Depth 100 cm

### Base finish:

- Anodised aluminium
- White lacquered aluminium (similar to Ral 9016)
- "Alucompact® sand grey" lacquered aluminium (similar to Ral 9002)
- "Alucompact® anthracite grey" lacquered aluminium (similar to Ral 7015)
- "Fenix-NTM® London grey" lacquered aluminium (similar to Ral Design0805005)
- Black lacquered aluminium (similar to Ral 9004)
- Olive green lacquered aluminium (colour reference "Olive green polyurethane P008")

### Finish of top/extensions:

- Wood, european oak effect
- Wood, walnut effect
- Wood, black oak effect

### Note:

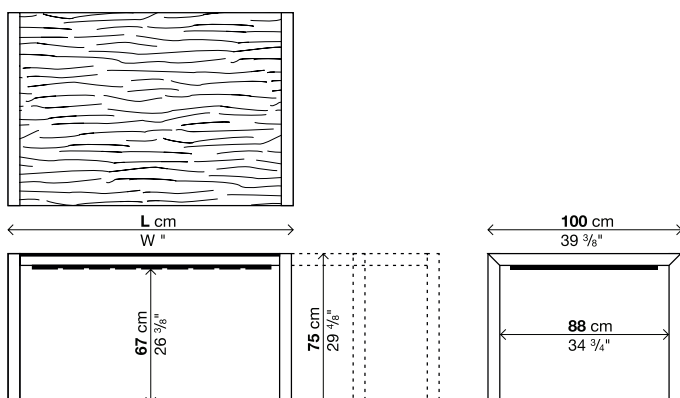
Tables that extend to more than 250 cm have a top that slightly bends, which complies with accepted quality standards.

Reinforced packaging, see inside cover.

Code	Lenght	Legs	Top	pack	m <sup>2</sup>	Kg
			Wood			
01SUS02	177-212-247-282 with three extensions	Aluminium		4	0,53	91
		Lacquered				
01SUS36	200-235-270-305 with three extensions	Aluminium		4	0,58	98
		Lacquered				
01SUS05	220-264-308 with two extensions	Aluminium		3	0,62	98
		Lacquered				

### Optionals

Code	Description	pack	m <sup>2</sup>	Kg
02GTA02	Legs height cut to size	-	-	-





# SUSHI WOOD

## Fixed - Depth 100 cm

### Base finish:

Anodised aluminium  
 White lacquered aluminium (similar to Ral 9016)  
 "Alucompact® sand grey" lacquered aluminium (similar to Ral 9002)  
 "Alucompact® anthracite grey" lacquered aluminium (similar to Ral 7015)  
 "Fenix-NTM® London grey" lacquered aluminium (similar to Ral Design0805005)  
 Black lacquered aluminium (similar to Ral 9004)  
 Olive green lacquered aluminium (colour reference "Olive green polyurethane P008")

### Finish of top:

Wood, european oak effect  
 Wood, walnut effect  
 Wood, black oak effect

### Note:

Important: sizes and finishes marked with (!) require longer production lead time, about 6 weeks from the date of the order.

Tables that extend to more than 250 cm have a top that slightly bends, which complies with accepted quality standards.

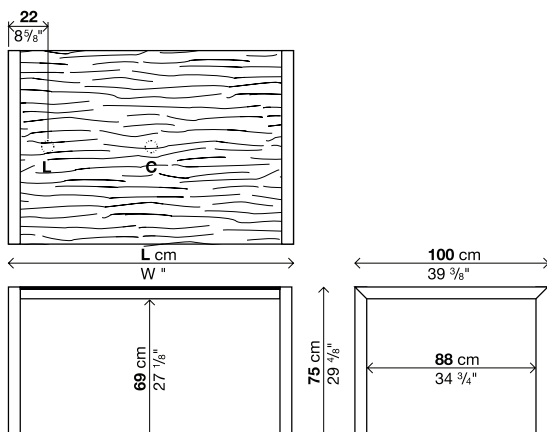
Table L. 269 and 289 cm have an under-top bars as a central support, therefore any cable hole cutouts cannot be centrally positioned in depth but must be slightly shifted.

Reinforced packaging, see inside cover.

Code	Lenght	Legs	Top	pack	m <sup>2</sup>	Kg
			Wood			
01SUS08F	200	Aluminium		1	0,5	62
		Lacquered				
01SUS05F	220	Aluminium		1	0,55	67
		Lacquered				
01SUS09F	240 (!)	Aluminium		1	0,6	72
		Lacquered				
01SUS80F	260 (!)	Aluminium		1	0,65	77
		Lacquered				
01SUS82F	280 (!)	Aluminium		1	0,69	85
		Lacquered				
01SUS36F	300 (!)	Aluminium		1	0,74	90
		Lacquered				

### Optionals

Code	Description	pack	m <sup>2</sup>	Kg
02GTA02	Legs height cut to size	-	-	-
02FOR01	Lateral or central cable hole Ø6	-	-	-
02RET02	Plastic cable mesh	1	0,07	1
02VER01	Vertebra, opal white methacrylate	1	0,007	1,5
02CPU03	CPU unit, opal white methacrylate	1	0,14	5,5



# SUSHI GLASS

## Extensible - Depth 80 cm

### Leg finish:

Anodised aluminium  
 White lacquered aluminium (similar to RAL 9016)  
 Black lacquered aluminium (similar to RAL 9004)

### Finish of top:

Gloss glass in colours: extra white, anthracite grey, black, titanium  
 Matt glass in colours: extra white, anthracite grey, black, titanium

### Finish of extensions:

White Alucompact® laminate  
 Sand grey Alucompact® laminate  
 Anthracite grey Alucompact® laminate  
 Black Alucompact® laminate

### Note:

For tables with codes marked with an asterisk (\*), a third extension can be added to further increase the length.

Important: sizes and finishes marked with (!) require longer production lead time, about 6 weeks from the date of the order.

Tables that extend to more than 250 cm have a top that slightly bends, which complies with accepted quality standards.

Reinforced packaging, see inside cover.

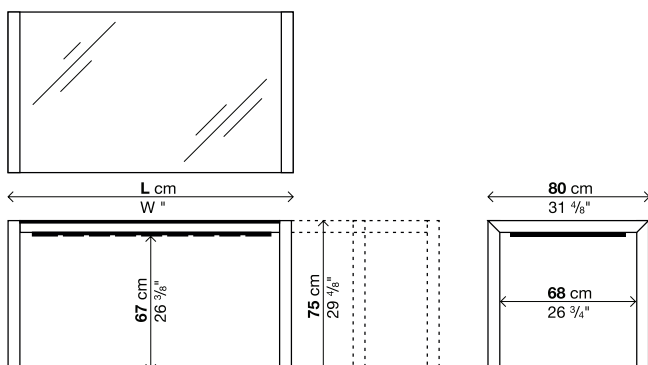
Code	Lenght	Legs	Top		pack	m <sup>2</sup>	Kg
			Gloss glass	Matt glass			
<b>01SUS11</b>	125-165-205	Aluminium			3	0,32	64
		Lacquered					
<b>01SUS13*</b>	150-190-230	Aluminium			3	0,37	72
		Lacquered					
<b>01SUS16*</b>	177-217-257	Aluminium			3	0,42	79
		Lacquered					

### (\* ) 3'd additional extension

Code	Lenght	Top	pack	m <sup>2</sup>	Kg
		Alucompact®			
<b>50SUS5A</b>	33 cm		1	0,03	6

### Optionals

Code	Description	pack	m <sup>2</sup>	Kg
<b>02GTA02</b>	Legs height cut to size	-	-	-



# SUSHI GLASS

## Fixed - Depth 80 cm

### Leg finish:

Anodised aluminium  
 White lacquered aluminium (similar to RAL 9016)  
 Black lacquered aluminium (similar to RAL 9004)

### Finish of top:

Gloss glass in colours: extra white, anthracite grey, black, titanium  
 Matt glass in colours: extra white, anthracite grey, black, titanium

### Note:

Important: sizes and finishes marked with (!) require longer production lead time, about 6 weeks from the date of the order.

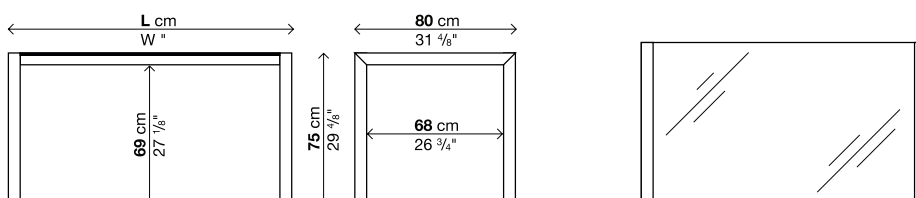
Tables that extend to more than 250 cm have a top that slightly bends, which complies with accepted quality standards.

Reinforced packaging, see inside cover.

Code	Lenght	Legs	Top		pack	m <sup>3</sup>	Kg
			Gloss glass	Matt glass			
01SUS31F	80	Aluminium			1	0,18	31
		Lacquered					
01SUS11F	125	Aluminium			1	0,27	44
		Lacquered					
01SUS13F	150	Aluminium			1	0,32	52
		Lacquered					
01SUS33F	177	Aluminium			1	0,37	58
		Lacquered					
01SUS37F	200	Aluminium			1	0,41	66
		Lacquered					
01SUS39F	220 (!)	Aluminium			1	0,45	72
		Lacquered					
01SUS45F	240 (!)	Aluminium			1	0,49	77
		Lacquered					
01SUS49F	260 (!)	Aluminium			1	0,53	83
		Lacquered					
01SUS53F	280 (!)	Aluminium			1	0,57	88
		Lacquered					
01SUS56F	300 (!)	Aluminium			1	0,61	94
		Lacquered					

### Optionals

Code	Description	pack	m <sup>3</sup>	Kg
02GTA02	Legs height cut to size	-	-	-
02RET01	Plastic cable mesh	1	0,07	1
02VER01	Vertebra, opal white methacrylate	1	0,007	1,5
02CPU01	CPU unit, opal white methacrylate	1	0,14	5,5



# SUSHI GLASS

## Extensible - Depth 90 cm

### Leg finish:

Anodised aluminium

White lacquered aluminium (similar to RAL 9016)

Black lacquered aluminium (similar to RAL 9004)

### Finish of top:

Gloss glass in colours: extra white, anthracite grey, black, titanium

Matt glass in colours: extra white, anthracite grey, black, titanium

### Finish of extensions:

White Alucompact® laminate

Sand grey Alucompact® laminate

Anthracite grey Alucompact® laminate

Black Alucompact® laminate

### Note:

For tables with codes marked with an asterisk (\*), a third extension can be added to further increase the length.

Important: sizes and finishes marked with (!) require longer production lead time, about 6 weeks from the date of the order.

Tables that extend to more than 250 cm have a top that slightly bends, which complies with accepted quality standards.

Reinforced packaging, see inside cover.

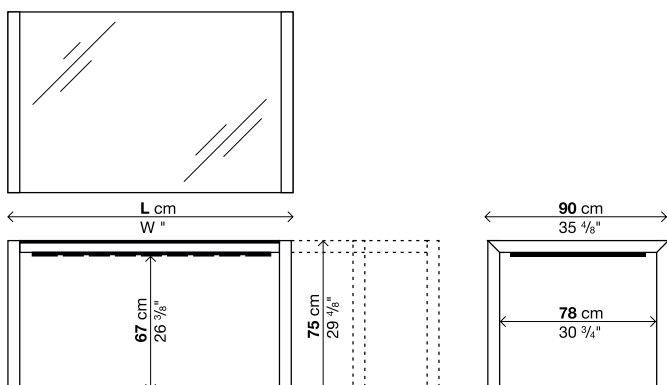
Code	Lenght	Legs	Top		pack	m <sup>2</sup>	Kg
			Gloss glass	Matt glass			
01SUS17*	150-187-224	Aluminium			3	0,41	81
		Lacquered					
01SUS15	177-214-251-288 3 <sup>rd</sup> standard extension	Aluminium			4	0,5	96
		Lacquered					
01SUS18*	200-237-274	Aluminium			3	0,51	98
		Lacquered					
01SUS52*	220-257-294	Aluminium			3	0,55	105
		Lacquered					

### (\*) 3<sup>rd</sup> additional extension

Code	Lenght	Top	pack	m <sup>2</sup>	Kg
		Alucompact®			
50SUS2A	37,5 cm		1	0,03	6,5

### Optionals

Code	Description	pack	m <sup>2</sup>	Kg
02GTA02	Legs height cut to size	-	-	-



# SUSHI GLASS

## Fixed - Depth 90 cm

### Leg finish:

Anodised aluminium

White lacquered aluminium (similar to RAL 9016)

Black lacquered aluminium (similar to RAL 9004)

### Finish of top:

Gloss glass in colours: extra white, anthracite grey, black, titanium

Matt glass in colours: extra white, anthracite grey, black, titanium

### Note:

Important: sizes and finishes marked with (!) require longer production lead time, about 6 weeks from the date of the order.

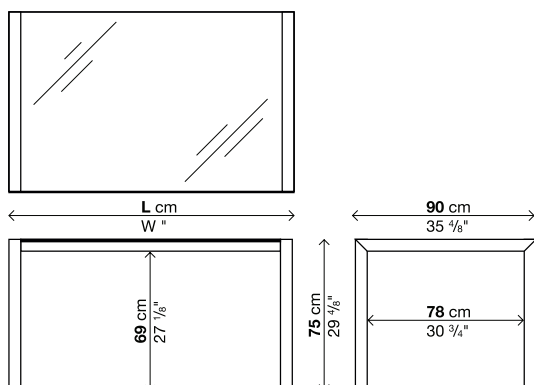
Tables that extend to more than 250 cm have a top that slightly bends, which complies with accepted quality standards.

Reinforced packaging, see inside cover.

Code	Lenght	Legs	Top		pack	m <sup>3</sup>	Kg
			Gloss glass	Matt glass			
<b>01SUS58F</b>	90	Aluminium			1	0,23	37
		Lacquered					
<b>01SUS63F</b>	125	Aluminium			1	0,3	51
		Lacquered					
<b>01SUS17F</b>	150	Aluminium			1	0,36	58
		Lacquered					
<b>01SUS15F</b>	177	Aluminium			1	0,42	67
		Lacquered					
<b>01SUS67F</b>	200	Aluminium			1	0,46	74
		Lacquered					
<b>01SUS52F</b>	220 (!)	Aluminium			1	0,5	80
		Lacquered					
<b>01SUS69F</b>	240 (!)	Aluminium			1	0,55	86
		Lacquered					
<b>01SUS71F</b>	260 (!)	Aluminium			1	0,59	92
		Lacquered					
<b>01SUS73F</b>	280 (!)	Aluminium			1	0,63	103
		Lacquered					
<b>01SUS75F</b>	300 (!)	Aluminium			1	0,67	109
		Lacquered					

### Optionals

Code	Description	pack	m <sup>3</sup>	Kg
<b>02GTA02</b>	Legs height cut to size	-	-	-
<b>02RET02</b>	Plastic cable mesh	1	0,07	1
<b>02VER01</b>	Vertebra, opal white methacrylate	1	0,007	1,5
<b>02CPU02</b>	CPU unit, opal white methacrylate	1	0,14	5,5



# SUSHI GLASS

## Extensible - Depth 100 cm

### Leg finish:

Anodised aluminium  
 White lacquered aluminium (similar to RAL 9016)  
 Black lacquered aluminium (similar to RAL 9004)

### Finish of top:

Gloss glass in colours: extra white, anthracite grey, black, titanium  
 Matt glass in colours: extra white, anthracite grey, black, titanium

### Finish of extensions:

White Alucompact® laminate  
 Sand grey Alucompact® laminate  
 Anthracite grey Alucompact® laminate  
 Black Alucompact® laminate

### Note:

For tables with codes marked with an asterisk (\*), a third extension can be added to further increase the length.

Important: sizes and finishes marked with (!) require longer production lead time, about 6 weeks from the date of the order.

Tables that extend to more than 250 cm have a top that slightly bends, which complies with accepted quality standards.

Reinforced packaging, see inside cover.

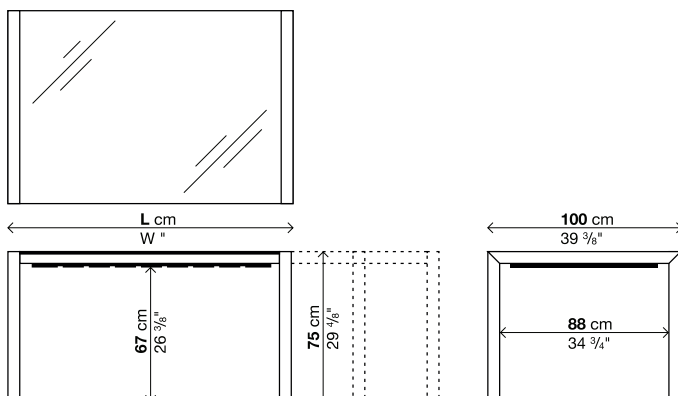
Code	Lenght	Legs	Top		pack	m <sup>2</sup>	Kg
			Gloss glass	Matt glass			
<b>01SUS14</b>	100-170	Aluminium			3	0,33	63
		Lacquered					
<b>01SUS12*</b>	177-224-271	Aluminium			3	0,52	101
		Lacquered					
<b>01SUS20*</b>	200-247-294	Aluminium			3	0,57	108
		Lacquered					
<b>01SUS19*</b>	220-267-314	Aluminium			3	0,62	118
		Lacquered					

### (\*) 3<sup>rd</sup> additional extension

Code	Lenght	Top	pack	m <sup>2</sup>	Kg
		Alucompact®			
<b>50SUS6A</b>	33 cm		1	0,03	6

### Optionals

Code	Description	pack	m <sup>2</sup>	Kg
<b>02GTA02</b>	Legs height cut to size	-	-	-



# SUSHI GLASS

## Fixed - Depth 100 cm

### Leg finish:

Anodised aluminium

White lacquered aluminium (similar to RAL 9016)

Black lacquered aluminium (similar to RAL 9004)

### Finish of top:

Gloss glass in colours: extra white, anthracite grey, black, titanium

Matt glass in colours: extra white, anthracite grey, black, titanium

### Note:

Important: sizes and finishes marked with (!) require longer production lead time, about 6 weeks from the date of the order.

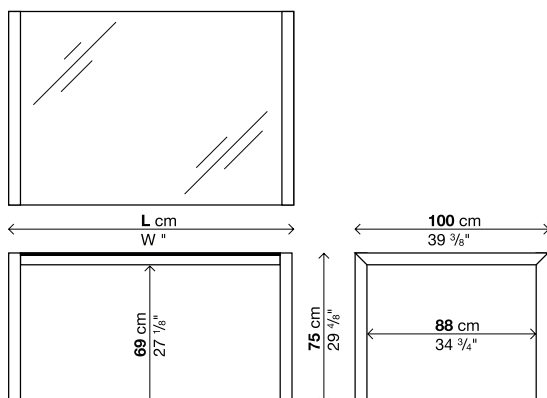
Tables that extend to more than 250 cm have a top that slightly bends, which complies with accepted quality standards.

Reinforced packaging, see inside cover.

Code	Lenght	Legs	Top		pack	m <sup>2</sup>	Kg
			Gloss glass	Matt glass			
<b>01SUS14F</b>	100	Aluminium			1	0,27	45
		Lacquered					
<b>01SUS79F</b>	150	Aluminium			1	0,39	63
		Lacquered					
<b>01SUS12F</b>	177	Aluminium			1	0,45	72
		Lacquered					
<b>01SUS16F</b>	200	Aluminium			1	0,5	80
		Lacquered					
<b>01SUS19F</b>	220	Aluminium			1	0,55	87
		Lacquered					
<b>01SUS50F</b>	240 (!)	Aluminium			1	0,6	93
		Lacquered					
<b>01SUS81F</b>	260 (!)	Aluminium			1	0,65	100
		Lacquered					
<b>01SUS83F</b>	280 (!)	Aluminium			1	0,69	110
		Lacquered					
<b>01SUS54F</b>	300 (!)	Aluminium			1	0,74	118
		Lacquered					

### Optionals

Code	Description	pack	m <sup>2</sup>	Kg
<b>02GTA02</b>	Legs height cut to size	-	-	-
<b>02RET03</b>	Plastic cable mesh	1	0,07	1
<b>02VER01</b>	Vertebra, opal white methacrylate	1	0,007	1,5
<b>02CPU03</b>	CPU unit, opal white methacrylate	1	0,14	5,5



# SUSHI GLASS

## Fixed - Depth 124 cm

### Leg finish:

Anodised aluminium  
 White lacquered aluminium (similar to RAL 9016)  
 Black lacquered aluminium (similar to RAL 9004)

### Finish of top:

Gloss glass in colours: extra white, anthracite grey, black, titanium  
 Matt glass in colours: extra white, anthracite grey, black, titanium

### Note:

Important: sizes and finishes marked with (!) require longer production lead time, about 6 weeks from the date of the order.

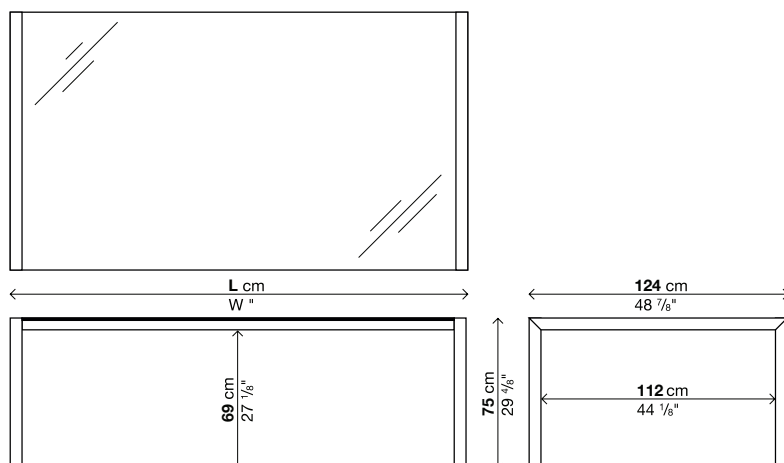
Tables that extend to more than 250 cm have a top that slightly bends, which complies with accepted quality standards.

Reinforced packaging, see inside cover.

Code	Lenght	Legs	Top		pack	m <sup>2</sup>	Kg
			Gloss glass	Matt glass			
01SUS89F	220 (!)	Aluminium			1	0,66	109
		Lacquered					
01SUS91F	240 (!)	Aluminium			1	0,72	118
		Lacquered					
01SUS93F	288 (!)	Aluminium			1	0,85	140
		Lacquered					

### Optionals

Code	Description	pack	m <sup>2</sup>	Kg
02GTA02	Legs height cut to size	-	-	-
02RET04	Plastic cable mesh	1	0,07	1
02VER01	Vertebra, opal white methacrylate	1	0,007	1,5
02CPU04	CPU unit, opal white methacrylate	1	0,14	5,5





# SUSHI GLASS

## Fixed - Depth 140 cm

### Leg finish:

Anodised aluminium

White lacquered aluminium (similar to RAL 9016)

Black lacquered aluminium (similar to RAL 9004)

### Finish of top:

Gloss glass in colours: extra white, anthracite grey, black, titanium

Matt glass in colours: extra white, anthracite grey, black, titanium

### Note:

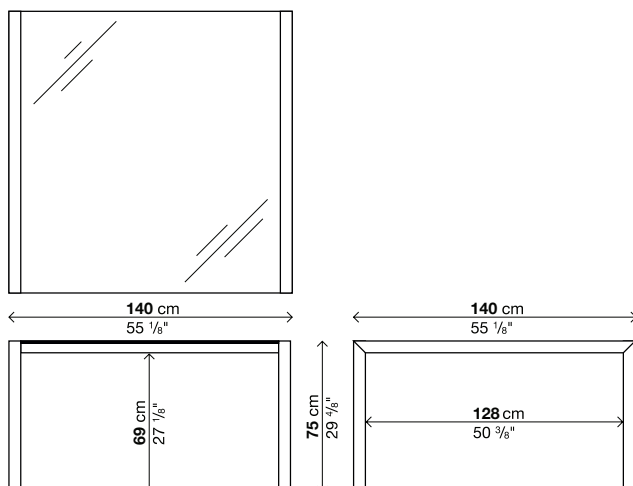
Important: sizes and finishes marked with (!) require longer production lead time, about 6 weeks from the date of the order.

Reinforced packaging, see inside cover.

Code	Lenght	Legs	Top		pack	m <sup>3</sup>	Kg
			Gloss glass	Matt glass			
<b>01SUS18F</b>	140 (!)	Aluminium			1	0,52	73
		Lacquered					

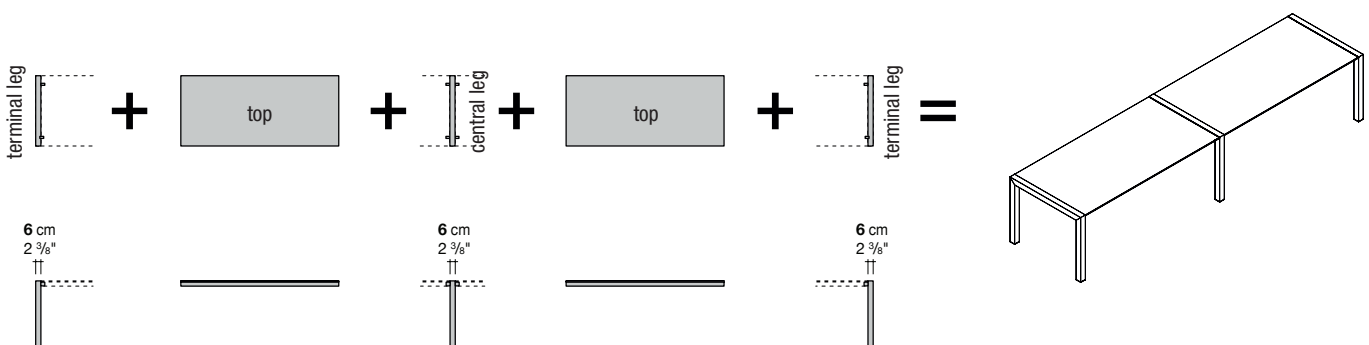
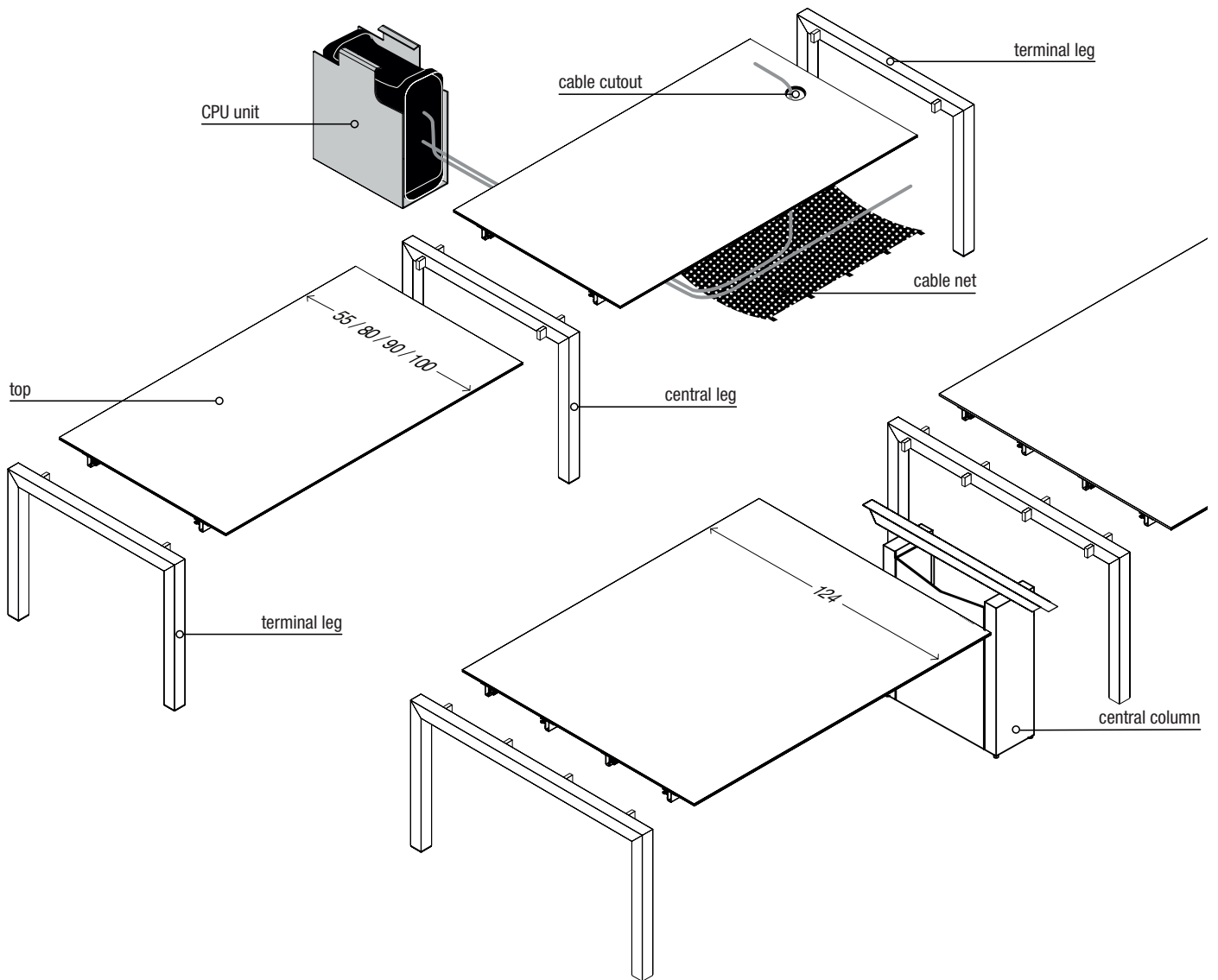
### Optionals

Code	Description	pack	m <sup>3</sup>	Kg
<b>02GTA02</b>	Legs height cut to size	-	-	-
<b>02VER01</b>	Vertebra, opal white methacrylate	1	0,007	1,5



# MODULAR SUSHI

## Assembly diagram



# MODULAR SUSHI

## Alucompact® top - Table, Meeting table

### Finish of top:

White Alucompact® laminate  
 Sand grey Alucompact® laminate  
 Anthracite grey Alucompact® laminate  
 Black Alucompact® laminate

### Note:

Tops can be made of different materials on request (for quantity):  
 Pure-white laminate, Fenix-NTM®, glass.

Important: sizes and finishes marked with (!) require longer production lead time, about 6 weeks from the date of the order.

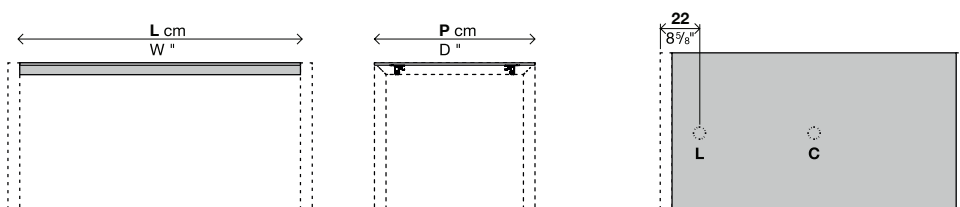
Tables that extend to more than 250 cm have a top that slightly bends, which complies with accepted quality standards.

Reinforced packaging, see inside cover.

Code	Dimensions	Top	pack	m <sup>2</sup>	Kg
		Alucompact®			
01SUS00	113 x 55 (!)		1	0,2	18
01SUS01	135 x 55 (!)		1	0,24	24
01SUS02	204 x 55 (!)		1	0,33	35
01SUS03	113 x 80		1	0,27	27
01SUS04	138 x 80		1	0,32	32
01SUS15	165 x 80 (!)		1	0,37	37
01SUS05	138 x 90		1	0,36	38
01SUS06	165 x 90		1	0,42	42
01SUS64	188 x 90 (!)		1	0,46	47
01SUS16	208 x 90 (!)		1	0,5	52
01SUS68	228 x 90 (!)		1	0,55	56
01SUS70	248 x 90 (!)		1	0,59	61
01SUS72	268 x 90 (!)		1	0,63	69
01SUS74	288 x 90 (!)		1	0,67	75
01SUS07	88 x 100		1	0,27	26
01SUS08	165 x 100		1	0,45	52
01SUS13	188 x 100 (!)		1	0,5	51
01SUS09	208 x 100 (!)		1	0,55	56
01SUS14	228 x 100 (!)		1	0,6	61
01SUS80	248 x 100 (!)		1	0,65	68
01SUS82	268 x 100 (!)		1	0,69	75
01SUS36	288 x 100 (!)		1	0,74	80
01SUS88	208 x 124 (!)		1	0,66	75
01SUS90	228 x 124 (!)		1	0,72	81
01SUS12	276 x 124 (!)		1	0,85	97

### Optionals

Code	Description	pack	m <sup>2</sup>	Kg
02FOR01	Lateral or central cable hole Ø6 cm	-	-	-



# MODULAR SUSHI

## Alucompact® top - Keyboard top

### Finish of top:

White Alucompact® laminate  
 Sand grey Alucompact® laminate  
 Anthracite grey Alucompact® laminate  
 Black Alucompact® laminate

### Note:

Tops can be made of different materials on request (for quantity):  
 Pure-white laminate, Fenix-NTM®, glass.

Important: sizes and finishes marked with (!) require longer production lead time, about 6 weeks from the date of the order.

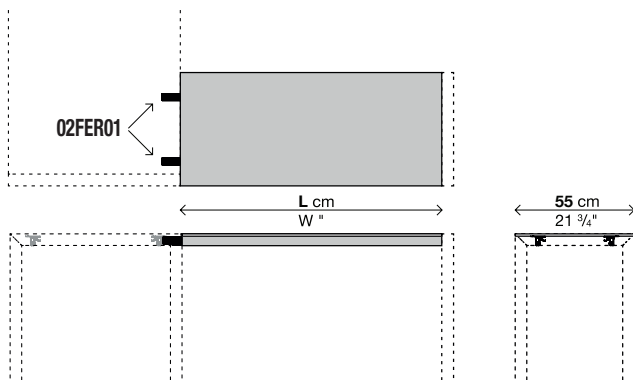
Tables that extend to more than 250 cm have a top that slightly bends, which complies with accepted quality standards.

Reinforced packaging, see inside cover.

Code	Dimensions	Top	pack	m³	Kg
		Alucompact®			
<b>02SUS00</b>	113 x 55 (!)		1	0,2	18
<b>02SUS01</b>	135 x 55 (!)		1	0,24	24
<b>02SUS02</b>	204 x 55 (!)		1	0,33	35

### Optionals

Code	Description	pack	m³	Kg
<b>02FER01</b>	Hardware for keyboard top	-	-	1,5



# MODULAR SUSHI

## Terminal leg / Central leg / Central column

### Leg finish:

- Anodised aluminium
- White lacquered aluminium (similar to RAL 9016)
- "Alucompact® sand grey" lacquered aluminium (similar to RAL 9002)
- "Alucompact® anthracite grey" lacquered aluminium (similar to RAL 7015)
- Black lacquered aluminium (similar to RAL 9004)

### Finish for column:

- Grey aluminium lacquered steel (similar to RAL 7042)
- White lacquered steel (similar to RAL 9016)
- "Alucompact® sand grey" lacquered steel" (similar to RAL 9002)
- "Alucompact® anthracite grey" lacquered steel" (similar to RAL 7015)
- Black lacquered steel (similar to RAL 9004)

### Terminal leg

Code	Depth	Finish		pack	m <sup>3</sup>	Kg
		Anodised aluminium	Lacquered aluminium			
<b>02CAV01</b>	55			1	0,22	10
<b>02CAV02</b>	80			1	0,22	10,2
<b>02CAV03</b>	90			1	0,22	10,3
<b>02CAV04</b>	100			1	0,22	10,5
<b>02CAV01A</b>	124			1	0,26	11

### Central leg

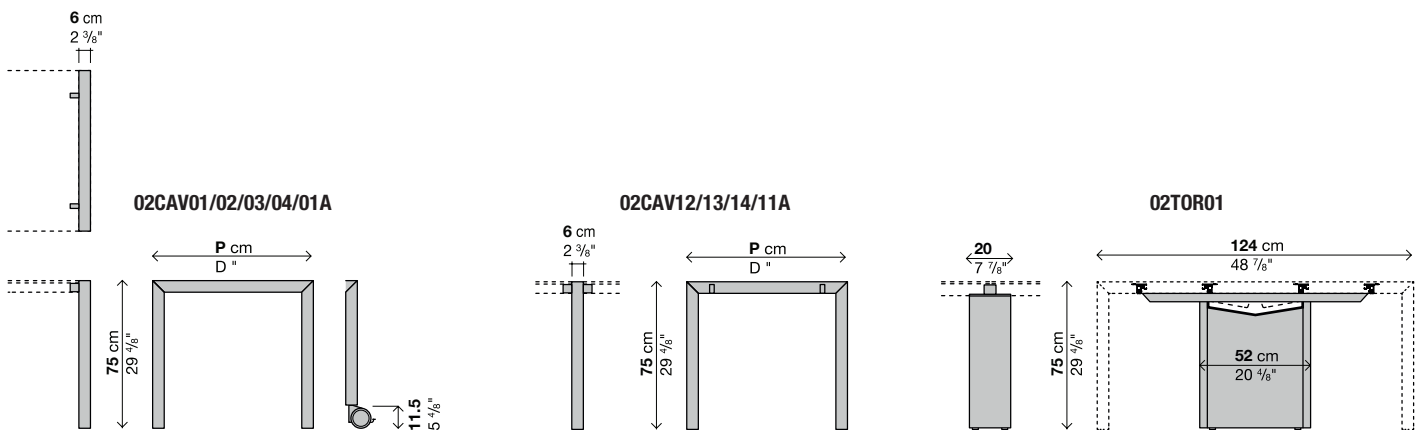
Code	Depth	Finish		pack	m <sup>3</sup>	Kg
		Anodised aluminium	Lacquered aluminium			
<b>02CAV12</b>	80			1	0,22	10,5
<b>02CAV13</b>	90			1	0,22	10,6
<b>02CAV14</b>	100			1	0,22	10,7
<b>02CAV11A</b>	124			1	0,26	12

### Central column

Code	Depth	Finish		pack	m <sup>3</sup>	Kg
		Lacquered steel				
<b>02TOR01</b>	124			1	0,14	19,5

### Optionals

Code	Description	pack	m <sup>3</sup>	Kg
<b>02GTA01</b>	Customised reduction to leg	-	-	-
<b>02CRU01</b>	Pair of castors with brake	-	-	1



# MODULAR SUSHI

## CPU unit / Cable net / Vertebra

### Finish for CPU holder:

Opal methacrylate

### Finish for cable mesh:

Fire-retardant plastic

### Finish for vertebra:

Opal methacrylate

### CPU unit

Code	Depth	Finish	pack	m <sup>3</sup>	Kg
		Opal methacrylate			
<b>02CPU01</b>	80		1	0,14	5,5
<b>02CPU02</b>	90		1	0,14	5,5
<b>02CPU03</b>	100		1	0,14	5,5
<b>02CPU04</b>	124		1	0,14	5,5
<b>02CPU05</b>	160		1	0,14	5,5

### Cable net

Code	Depth	Finish	pack	m <sup>3</sup>	Kg
		Fire-retardant plastic			
<b>02RET01</b>	80		1	0,07	1
<b>02RET02</b>	90		1	0,07	1
<b>02RET03</b>	100		1	0,07	1
<b>02RET04</b>	124		1	0,07	1

### Vertebra

Code	Finish	pack	m <sup>3</sup>	Kg
	Opal methacrylate			
<b>02VER01</b>		1	0,01	1,5

