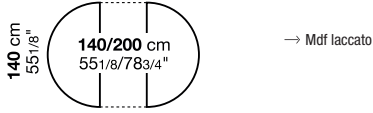
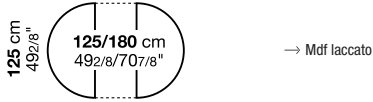


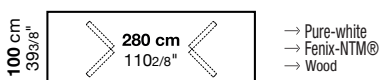
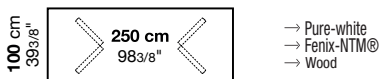
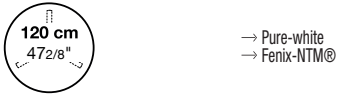
OOPS / OOPS I DID IT AGAIN

Sizes

Oops

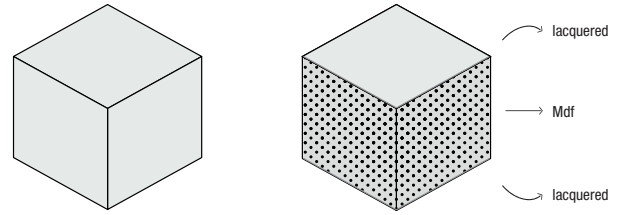


Oops I Did It Again

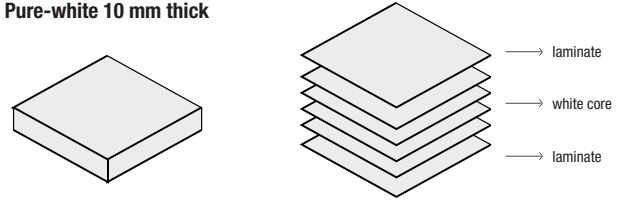


Tops

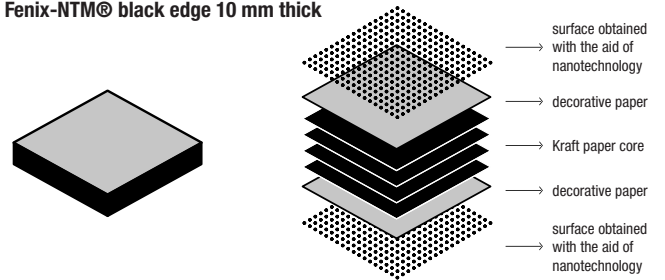
Lacquered Mdf 50 mm thick (extensible)



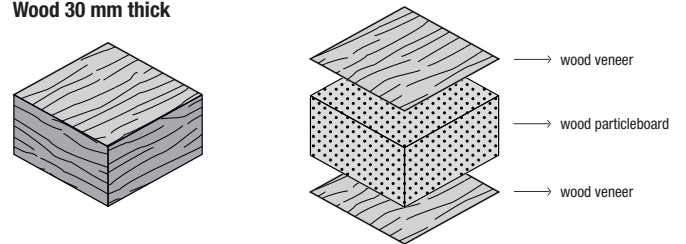
Pure-white 10 mm thick



Fenix-NTM® black edge 10 mm thick



Wood 30 mm thick



OOPS

Extensible - Top 50 mm thick

Leg finish:

Brushed aluminium

White lacquered aluminium (similar to RAL 9016)

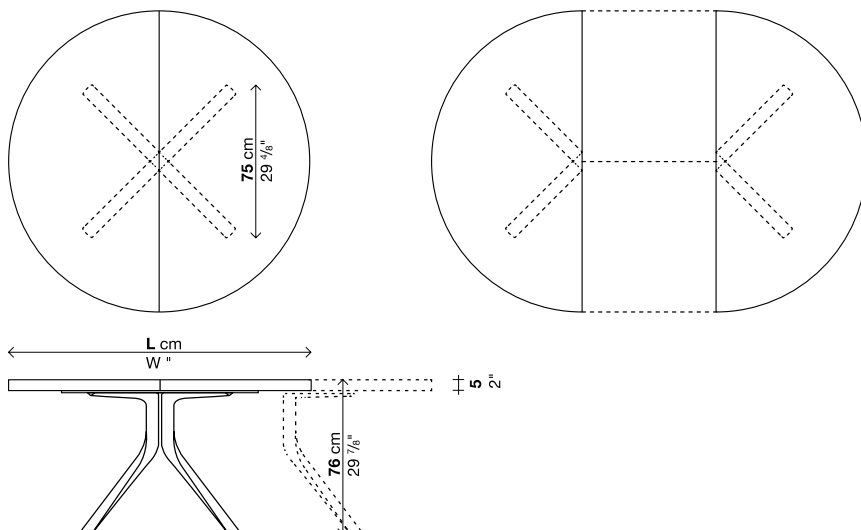
Note:

Reinforced packaging, see inside cover.

Finish of top/extensions:

Mdf textured white lacquered (similar to RAL 9016)

Code	Lenght	Legs	Top	pack	m ³	Kg
			Lacquered Mdf			
010PS01	125-180	Aluminium		1	0,57	90
		Lacquered				
010PS02	140-200	Aluminium		1	0,62	105
		Lacquered				



OOPS I DID IT AGAIN

Fixed - Round top 10 mm thick

Base finish:

Brushed aluminium
 White lacquered aluminium (similar to RAL 9016)
 Black lacquered aluminium (similar to RAL 9004)
 "Fenix-NTM® London grey" lacquered aluminium (similar to RAL Design0805005)

Finish of top:

Pure-white laminate
 Fenix-NTM® black edge (London grey 0718, Ingo black 0720)

Note:

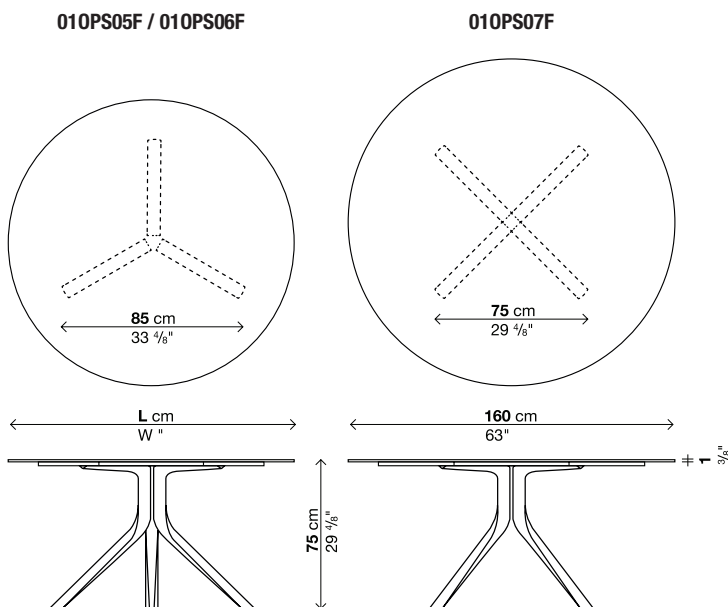
Important: sizes and finishes marked with (!) require longer production lead time, about 6 weeks from the date of the order.

Reinforced packaging, see inside cover.

Code	Lenght	Base	Top		pack	m ³	Kg
			Pure-white	Fenix-NTM®			
010PS05F	Ø120 (!)	Aluminium			2	0,26	55
		Lacquered					
010PS06F	Ø140 (!)	Aluminium			2	0,31	61
		Lacquered					
010PS07F	Ø160 (!)	Aluminium			2	0,37	74
		Lacquered					

Optionals

Code	Description	pack	m ³	Kg
02FOR01	Cable ducting hole for laminate tops Ø6 cm	-	-	-
02VER01	Vertebra, opal white methacrylate	1	0,01	1,5



OOPS I DID IT AGAIN

Fixed - Rectangular top 10/30 mm thick

Base finish:

Brushed aluminium
 White lacquered aluminium (similar to RAL 9016)
 Black lacquered aluminium (similar to RAL 9004)
 "Fenix-NTM® London grey" lacquered aluminium (similar to RAL Design0805005)

Finish of top:

Pure-white laminate (10 mm thick)
 Fenix-NTM® black edge (London grey 0718, Ingo black 0720) (10 mm thick)
 Wood, european oak effect (30 mm thick)
 Wood, walnut effect (30 mm thick)
 Wood, black oak effect (30 mm thick)

Note:

Important: sizes and finishes marked with (!) require longer production lead time, about 6 weeks from the date of the order.

Reinforced packaging, see inside cover.

Code	Lenght	Base	Top			pack	m ³	Kg
			Wood	Fenix-NTM®	Pure-white			
010PS08F	220 x 100 (!)	Aluminium				2	0,38	102
		Lacquered						
010PS09F	250 x 100 (!)	Aluminium				2	0,41	104
		Lacquered						
010PS10F	280 x 100 (!)	Aluminium				2	0,46	115
		Lacquered						

Optionals

Code	Description	pack	m ³	Kg
02FOR01	Cable ducting hole for laminate tops Ø6 cm	-	-	-
02FOR04	Cable ducting hole for wood tops Ø6 cm	-	-	-
02VER01	Vertebra, opal white methacrylate	1	0,01	1,5

