

NORI

Sizes

Prof. 80 cm Depth 314³/₈"

80	114 cm 44 ⁷ / ₈ "	→ Alucompact® → Pure-white → Glass
	114/154/194 cm 44 ⁷ / ₈ /60 ⁵ / ₈ /76 ³ / ₈ "	→ Alucompact® → Pure-white → Glass
	139 cm 54 ⁶ / ₈ "	→ Alucompact® → Pure-white → Glass
	139/179/219 cm 54 ⁶ / ₈ /70 ⁴ / ₈ /86 ² / ₈ "	→ Alucompact® → Pure-white → Glass
	166 cm 65 ³ / ₈ "	→ Alucompact® → Pure-white → Glass
	166/206/246 cm * 65 ³ / ₈ /81 ¹ / ₈ /96 ⁷ / ₈ "	→ Alucompact® → Pure-white → Glass
	189 cm 74 ³ / ₈ "	→ Alucompact® → Pure-white → Glass
	209 cm 82 ² / ₈ "	→ Alucompact® → Pure-white → Glass
	229 cm 90 ¹ / ₈ "	→ Alucompact® → Pure-white → Glass
	249 cm 98"	→ Alucompact® → Pure-white → Glass
	269 cm 105 ⁷ / ₈ "	→ Alucompact® → Pure-white → Glass
	289 cm 113 ⁶ / ₈ "	→ Alucompact® → Pure-white → Glass

Prof. 90 cm Depth 353³/₈"

90	114 cm 44 ⁷ / ₈ "	→ Alucompact® → Pure-white → Glass
	139 cm 54 ⁶ / ₈ "	→ Alucompact® → Pure-white → Fenix-NTM® → Glass → DEKTON®
	139/176/214 cm 54 ⁶ / ₈ /69 ² / ₈ /84 ² / ₈ "	→ Alucompact® → Pure-white → Fenix-NTM® → Glass → DEKTON®
	166 cm 65 ³ / ₈ "	→ Alucompact® → Pure-white → Fenix-NTM® → Glass → DEKTON®
	166/203/241/278 cm 65 ³ / ₈ /79 ⁷ / ₈ /94 ⁷ / ₈ /109 ⁴ / ₈ "	→ Alucompact® → Pure-white → Fenix-NTM® → Glass
	166/203/241 cm 65 ³ / ₈ /79 ⁷ / ₈ /94 ⁷ / ₈ "	→ DEKTON®
	166/201/236/271 cm 65 ³ / ₈ /79 ¹ / ₈ /92 ⁷ / ₈ /106 ⁶ / ₈ "	→ Wood
	189 cm 74 ³ / ₈ "	→ Alucompact® → Pure-white → Fenix-NTM® → Glass → DEKTON® → Wood
	189/226/263 cm * 74 ³ / ₈ /89/103 ⁴ / ₈ "	→ Alucompact® → Pure-white → Fenix-NTM® → Glass
	189/226/263 cm 74 ³ / ₈ /89/103 ⁴ / ₈ "	→ DEKTON®
	189/224/259/294 cm 74 ³ / ₈ /88 ² / ₈ /102/115 ⁶ / ₈ "	→ Wood
	209 cm 82 ² / ₈ "	→ Alucompact® → Pure-white → Fenix-NTM® → Glass → Wood
	209/246/283 cm * 82 ² / ₈ /96 ⁷ / ₈ /111 ³ / ₈ "	→ Alucompact® → Pure-white → Fenix-NTM® → Glass
	209/253/297 cm 82 ² / ₈ /99 ⁵ / ₈ /116 ⁷ / ₈ "	→ Wood
	229 cm 90 ¹ / ₈ "	→ Alucompact® → Pure-white → Glass → DEKTON® → Wood
	249 cm 98"	→ Alucompact® → Pure-white → Glass → Wood
	269 cm 105 ⁷ / ₈ "	→ Alucompact® → Pure-white → Glass → Wood
	289 cm 113 ⁶ / ₈ "	→ Alucompact® → Pure-white → Glass → Wood

Prof. 100 cm Depth 393³/₈"

100	139 cm 54 ⁶ / ₈ "	→ Alucompact® → Pure-white → Glass
	166 cm 65 ³ / ₈ "	→ Alucompact® → Pure-white → Fenix-NTM® → Glass → DEKTON®
	166/213/260 cm * 65 ³ / ₈ /83 ⁷ / ₈ /102 ³ / ₈ "	→ Alucompact® → Pure-white → Fenix-NTM® → Glass
	166/203/240 cm 65 ³ / ₈ /79 ⁷ / ₈ /94 ⁴ / ₈ "	→ DEKTON®
	166/201/236/271 cm 65 ³ / ₈ /79 ¹ / ₈ /92 ⁷ / ₈ /106 ⁶ / ₈ "	→ Wood
	189 cm 74 ³ / ₈ "	→ Alucompact® → Pure-white → Fenix-NTM® → Glass → DEKTON® → Wood
	189/236/283 cm * 74 ³ / ₈ /92 ⁷ / ₈ /111 ³ / ₈ "	→ Alucompact® → Pure-white → Fenix-NTM® → Glass
	189/226/263 cm 74 ³ / ₈ /89/103 ⁴ / ₈ "	→ DEKTON®
	189/224/259/294 cm 74 ³ / ₈ /88 ² / ₈ /102/115 ⁶ / ₈ "	→ Wood
	209 cm 82 ² / ₈ "	→ Alucompact® → Pure-white → Fenix-NTM® → Glass → Wood
	209/256/303 cm * 82 ² / ₈ /100 ⁶ / ₈ /119 ² / ₈ "	→ Alucompact® → Pure-white → Fenix-NTM® → Glass
	209/253/297 cm 82 ² / ₈ /99 ⁵ / ₈ /116 ⁷ / ₈ "	→ Wood
	229 cm 90 ¹ / ₈ "	→ Alucompact® → Pure-white → Glass → DEKTON® → Wood
	249 cm 98"	→ Alucompact® → Pure-white → Glass → Wood
	269 cm 105 ⁷ / ₈ "	→ Alucompact® → Pure-white → Glass → DEKTON® → Wood
	289 cm 113 ⁶ / ₈ "	→ Alucompact® → Pure-white → Glass → Wood

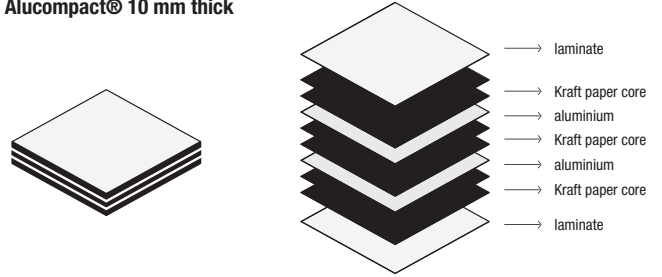
* = 3rd additional extension (on request)

Tops

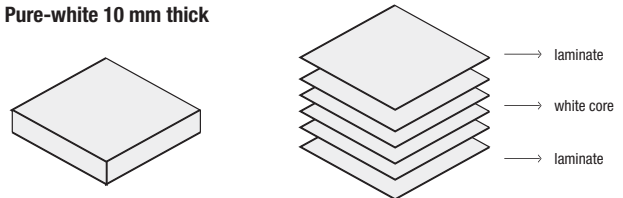
Prof. 124 cm
Depth 483/8"

124	209 cm 82 2/8"	→ Alucompact® → Pure-white → Glass
	229 cm 90 1/8"	→ Alucompact® → Pure-white → Glass
	277 cm 109"	→ Alucompact® → Pure-white → Glass

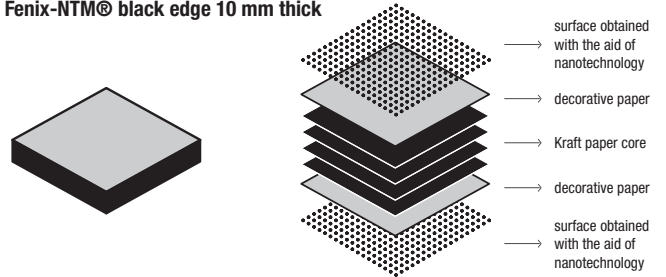
Alucompact® 10 mm thick



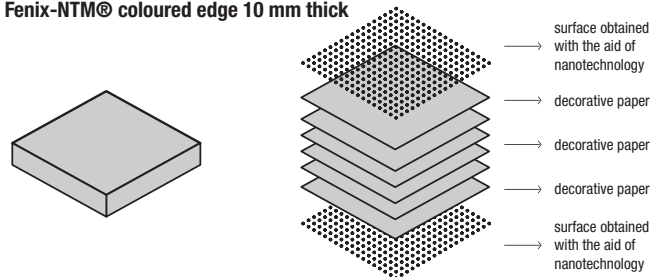
Pure-white 10 mm thick



Fenix-NTM® black edge 10 mm thick



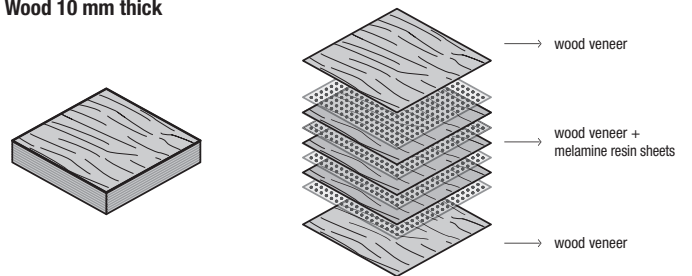
Fenix-NTM® coloured edge 10 mm thick



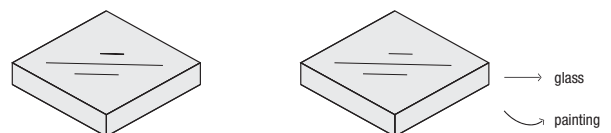
DEKTON® by Cosentino 8 mm thick



Wood 10 mm thick



Glass 10 mm thick



NORI ALUcompact® / PURE-WHITE

Extensible - Depth 80 cm

Leg finish:

Anodised aluminium

White lacquered aluminium (similar to RAL 9016)

"Alucompact® sand grey" lacquered aluminium (similar to RAL 9002)

"Alucompact® anthracite grey" lacquered aluminium (similar to RAL 7015)

Black lacquered aluminium (similar to RAL 9004)

Finish of top/extensions:

Alucompact® laminate (white, sand grey, anthracite grey, black)

Pure-white laminate

Note:

For tables with codes marked with an asterisk (*), a third extension can be added to further increase the length.

Important: sizes and finishes marked with (!) require longer production lead time, about 6 weeks from the date of the order.

Reinforced packaging, see inside cover.

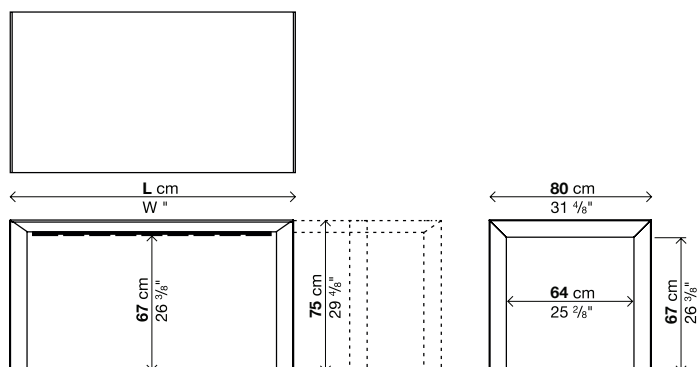
Code	Lenght	Legs	Top		pack	m ³	Kg
			Alucompact®	Pure-white (!)			
01NOR01	114-154-194	Aluminium			3	0,32	63
		Lacquered					
01NOR02	139-179-219	Aluminium			3	0,37	69
		Lacquered					
01NOR07*	166-206-246	Aluminium			3	0,42	75
		Lacquered					

(*) 3rd additional extension

Code	Lenght	Top		pack	m ³	Kg
		Alucompact®	Pure-white			
50SUS5A	33 cm			1	0,03	6

Optionals

Code	Description	pack	m ³	Kg
02GTA02	Legs height cut to size	-	-	-



NORI ALUCOMPACT® / PURE-WHITE

Fixed - Depth 80 cm

Leg finish:

Anodised aluminium
 White lacquered aluminium (similar to RAL 9016)
 "Alucompact® sand grey" lacquered aluminium (similar to RAL 9002)
 "Alucompact® anthracite grey" lacquered aluminium (similar to RAL 7015)
 Black lacquered aluminium (similar to RAL 9004)

Finish of top:

Alucompact® laminate (white, sand grey, anthracite grey, black)

 Pure-white laminate

Note:

Important: sizes and finishes marked with (!) require longer production lead time, about 6 weeks from the date of the order.

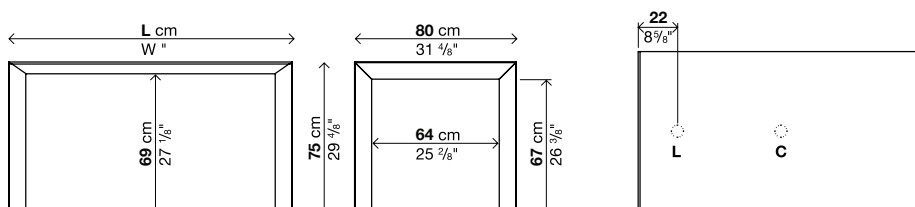
Tables that extend to more than 250 cm have a top that slightly bends, which complies with accepted quality standards.

Reinforced packaging, see inside cover.

Code	Lenght	Legs	Top		pack	m³	Kg
			Alucompact®	Pure-white			
01NOR01F	114	Aluminium			1	0,27	35
		Lacquered					
01NOR02F	139	Aluminium			1	0,32	41
		Lacquered					
01NOR28F	166 (!)	Aluminium			1	0,37	47
		Lacquered					
01NOR33F	189 (!)	Aluminium			1	0,41	52
		Lacquered					
01NOR35F	209 (!)	Aluminium			1	0,45	56
		Lacquered					
01NOR37F	229 (!)	Aluminium			1	0,49	60
		Lacquered					
01NOR43F	249 (!)	Aluminium			1	0,53	65
		Lacquered					
01NOR45F	269 (!)	Aluminium			1	0,57	68
		Lacquered					
01NOR47F	289 (!)	Aluminium			1	0,61	72
		Lacquered					

Optionals

Code	Description	pack	m³	Kg
02GTA02	Legs height cut to size	-	-	-
02FOR01	Lateral or central cable hole Ø6	-	-	-
02RET01	Plastic cable mesh	1	0,07	1
02VER01	Vertebra, opal white methacrylate	1	0,007	1,5
02CPU01	CPU unit, opal white methacrylate	1	0,14	5,5



NORI ALUCompact® / PURE-WHITE / FENIX-NTM®

Extensible - Depth 90 cm

Leg finish:

- Anodised aluminium
- White lacquered aluminium (similar to RAL 9016)
- "Alucompact® sand grey" lacquered aluminium (similar to RAL 9002)
- "Alucompact® anthracite grey" lacquered aluminium (similar to RAL 7015)
- Black lacquered aluminium (similar to RAL 9004)
- Olive green lacquered aluminium (colour reference "Olive green polyurethane P008")

Finish of top/extensions:

- Alucompact® laminate (white, sand grey, anthracite grey, black)
-
- Pure-white laminate
-
- Fenix-NTM® black edge (white Kos 0032, London grey 0718, Bromo grey 0724, Ingo black 0720)
-
- Fenix-NTM® coloured edge (white Kos 0032, London grey 0718)

Note:

For tables with codes marked with an asterisk (*), a third extension can be added to further increase the length.

Important: sizes and finishes marked with (!) require longer production lead time, about 6 weeks from the date of the order.

Reinforced packaging, see inside cover.

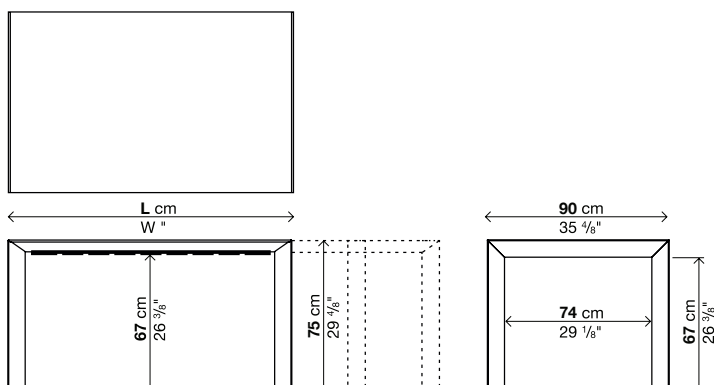
Code	Lenght	Legs	Top				pack	m³	Kg
			Alucompact®	Fenix-NTM® black edge	Pure-white	Fenix-NTM® coloured edge			
01NOR03	139-176-214	Aluminium					3	0,41	71
		Lacquered							
01NOR04	166-203-241-278 3 rd standard extension	Aluminium					4	0,5	81
		Lacquered							
01NOR08*	189-226-263	Aluminium					3	0,51	82
		Lacquered							
01NOR30*	209-246-283	Aluminium					3	0,55	88
		Lacquered							

(*) 3rd additional extension

Code	Lenght	Top				pack	m³	Kg
		Alucompact®	Fenix-NTM® black edge	Pure-white	Fenix-NTM® coloured edge			
50SUS2A	37,5 cm					1	0,03	6,5

Optionals

Code	Description	pack	m³	Kg
02GTA02	Legs height cut to size	-	-	-



NORI ALUCOMPACT® / PURE-WHITE / FENIX-NTM®

Fixed - Depth 90 cm

Leg finish:

Anodised aluminium
 White lacquered aluminium (similar to RAL 9016)
 "Alucompact® sand grey" lacquered aluminium (similar to RAL 9002)
 "Alucompact® anthracite grey" lacquered aluminium (similar to RAL 7015)
 Black lacquered aluminium (similar to RAL 9004)
 Olive green lacquered aluminium (colour reference "Olive green polyurethane P008")

Finish of top:

Alucompact® laminate (white, sand grey, anthracite grey, black)

 Pure-white laminate

 Fenix-NTM® black edge (white Kos 0032, London grey 0718, Bromo grey 0724, Ingo black 0720)

 Fenix-NTM® coloured edge (white Kos 0032, London grey 0718)

Note:

Important: sizes and finishes marked with (!) require longer production lead time, about 6 weeks from the date of the order.

Tables that extend to more than 250 cm have a top that slightly bends, which complies with accepted quality standards.

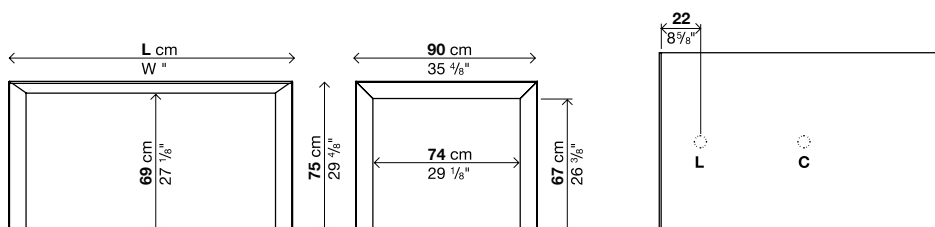
Table L. 269 and 289 cm have an under-top bars as a central support, therefore any cable hole cutouts cannot be centrally positioned in depth but must be slightly shifted.

Reinforced packaging, see inside cover.

Code	Lenght	Legs	Top				pack	m ³	Kg
			Alucompact®	Fenix-NTM® black edge	Pure-white	Fenix-NTM® coloured edge			
01NOR51F	114	Aluminium		-		-	1	0,3	41
		Lacquered		-		-			
01NOR03F	139	Aluminium					1	0,36	46
		Lacquered							
01NOR04F	166	Aluminium					1	0,42	52
		Lacquered							
01NOR53F	189	Aluminium					1	0,46	57
		Lacquered							
01NOR30F	209	Aluminium					1	0,5	62
		Lacquered							
01NOR55F	229 (!)	Aluminium		-		-	1	0,55	66
		Lacquered		-		-			
01NOR57F	249 (!)	Aluminium		-		-	1	0,59	71
		Lacquered		-		-			
01NOR59F	269 (!)	Aluminium		-		-	1	0,63	79
		Lacquered		-		-			
01NOR61F	289 (!)	Aluminium		-		-	1	0,67	85
		Lacquered		-		-			

Optionals

Code	Description	pack	m ³	Kg
02GTA02	Legs height cut to size	-	-	-
02FOR01	Lateral or central cable hole Ø6	-	-	-
02RET02	Plastic cable mesh	1	0,07	1
02VER01	Vertebra, opal white methacrylate	1	0,007	1,5
02CPU02	CPU unit, opal white methacrylate	1	0,14	5,5



NORI ALUCOMPACT® / PURE-WHITE / FENIX-NTM®

Extensible - Depth 100 cm

Leg finish:

- Anodised aluminium
- White lacquered aluminium (similar to RAL 9016)
- "Alucompact® sand grey" lacquered aluminium (similar to RAL 9002)
- "Alucompact® anthracite grey" lacquered aluminium (similar to RAL 7015)
- Black lacquered aluminium (similar to RAL 9004)
- Olive green lacquered aluminium (colour reference "Olive green polyurethane P008")

Finish of top/extensions:

- Alucompact® laminate (white, sand grey, anthracite grey, black)
-
- Pure-white laminate
-
- Fenix-NTM® black edge (white Kos 0032, London grey 0718, Bromo grey 0724, Ingo black 0720)
-
- Fenix-NTM® coloured edge (white Kos 0032, London grey 0718)

Note:

For tables with codes marked with an asterisk (*), a third extension can be added to further increase the length.

Important: sizes and finishes marked with (!) require longer production lead time, about 6 weeks from the date of the order.

Reinforced packaging, see inside cover.

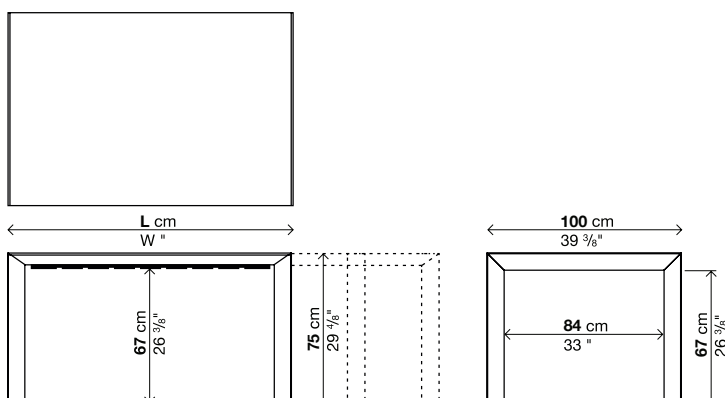
Code	Lenght	Legs	Top				pack	m ³	Kg
			Alucompact®	Fenix-NTM® black edge	Pure-white	Fenix-NTM® coloured edge			
01NOR05	166-213-260	Aluminium					3	0,52	85
		Lacquered							
01NOR09*	189-236-283	Aluminium					3	0,57	92
		Lacquered							
01NOR06*	209-256-303	Aluminium					3	0,62	98
		Lacquered							

(*) 3rd additional extension

Code	Lenght	Top				pack	m ³	Kg
		Alucompact®	Fenix-NTM® black edge	Pure-white	Fenix-NTM® coloured edge			
50SUS6A	33 cm					1	0,03	6

Optionals

Code	Description	pack	m ³	Kg
02GTA02	Legs height cut to size	-	-	-



NORI ALUCOMPACT® / PURE-WHITE / FENIX-NTM®

Fixed - Depth 100 cm

Leg finish:

Anodised aluminium
 White lacquered aluminium (similar to RAL 9016)
 "Alucompact® sand grey" lacquered aluminium (similar to RAL 9002)
 "Alucompact® anthracite grey" lacquered aluminium (similar to RAL 7015)
 Black lacquered aluminium (similar to RAL 9004)
 Olive green lacquered aluminium (colour reference "Olive green polyurethane P008")

Finish of top:

Alucompact® laminate (white, sand grey, anthracite grey, black)

 Pure-white laminate

 Fenix-NTM® black edge (white Kos 0032, London grey 0718, Bromo grey 0724, Ingo black 0720)

 Fenix-NTM® coloured edge (white Kos 0032, London grey 0718)

Note:

Important: sizes and finishes marked with (!) require longer production lead time, about 6 weeks from the date of the order.

Tables that extend to more than 250 cm have a top that slightly bends, which complies with accepted quality standards.

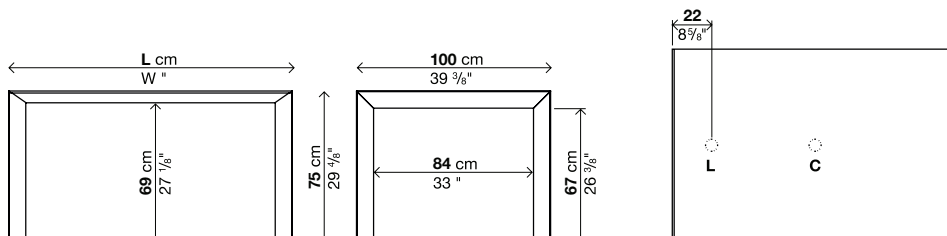
Table L. 269 and 289 cm have an under-top bars as a central support, therefore any cable hole cutouts cannot be centrally positioned in depth but must be slightly shifted.

Reinforced packaging, see inside cover.

Code	Lenght	Legs	Top				pack	m²	Kg
			Alucompact®	Fenix-NTM® black edge	Pure-white	Fenix-NTM® coloured edge			
01NOR65F	139	Aluminium		-		-	1	0,39	50
		Lacquered		-		-			
01NOR05F	166	Aluminium					1	0,45	56
		Lacquered							
01NOR07F	189	Aluminium					1	0,5	62
		Lacquered							
01NOR06F	209	Aluminium					1	0,55	67
		Lacquered							
01NOR08F	229 (!)	Aluminium		-		-	1	0,6	72
		Lacquered		-		-			
01NOR67F	249 (!)	Aluminium		-		-	1	0,65	77
		Lacquered		-		-			
01NOR69F	269 (!)	Aluminium		-		-	1	0,69	85
		Lacquered		-		-			
01NOR32F	289 (!)	Aluminium		-		-	1	0,74	90
		Lacquered		-		-			

Optionals

Code	Description	pack	m²	Kg
02GTA02	Legs height cut to size	-	-	-
02FOR01	Lateral or central cable hole Ø6	-	-	-
02RET03	Plastic cable mesh	1	0,07	1
02VER01	Vertebra, opal white methacrylate	1	0,007	1,5
02CPU03	CPU unit, opal white methacrylate	1	0,14	5,5



NORI ALUCOMPACT® / PURE-WHITE

Fixed - Depth 124 cm

Leg finish:

- Anodised aluminium
- White lacquered aluminium (similar to RAL 9016)
- "Alucompact® sand grey" lacquered aluminium (similar to RAL 9002)
- "Alucompact® anthracite grey" lacquered aluminium (similar to RAL 7015)
- Black lacquered aluminium (similar to RAL 9004)
- Olive green lacquered aluminium (colour reference "Olive green polyurethane P008")

Finish of top:

- Alucompact® laminate (white, sand grey, anthracite grey, black)
-
- Pure-white laminate

Note:

Important: sizes and finishes marked with (!) require longer production lead time, about 6 weeks from the date of the order.

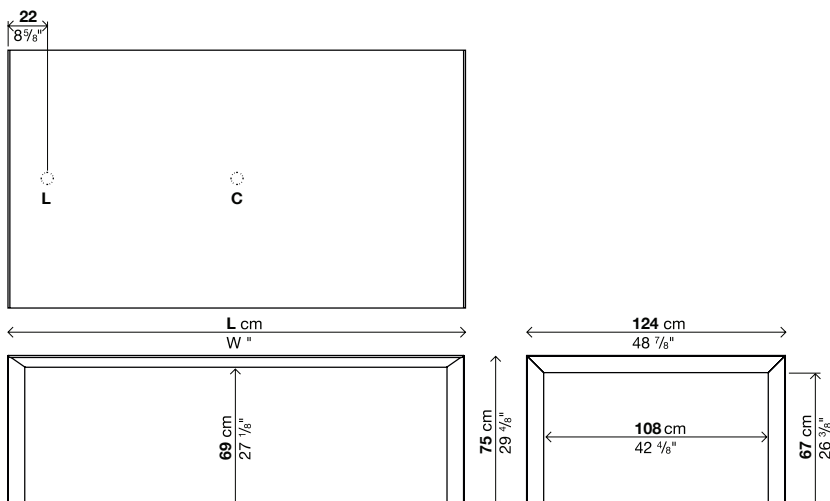
Tables that extend to more than 250 cm have a top that slightly bends, which complies with accepted quality standards.

Reinforced packaging, see inside cover.

Code	Lenght	Legs	Top		pack	m³	Kg
			Alucompact®	Pure-white			
01NOR71F	209 (!)	Aluminium			1	0,66	86
		Lacquered					
01NOR73F	229 (!)	Aluminium			1	0,72	92
		Lacquered					
01NOR75F	277 (!)	Aluminium			1	0,85	108
		Lacquered					

Optionals

Code	Description	pack	m³	Kg
02GTA02	Legs height cut to size	-	-	-
02FOR01	Lateral or central cable hole Ø6	-	-	-
02RET04	Plastic cable mesh	1	0,07	1
02VER01	Vertebra, opal white methacrylate	1	0,007	1,5
02CPU04	CPU unit, opal white methacrylate	1	0,14	5,5



NORI DEKTON® BY COSENTINO

Extensible - Depth 90 cm

Leg finish:

Anodised aluminium
 White lacquered aluminium (similar to RAL 9016)
 "Ventus grey" lacquered aluminium
 Olive green lacquered aluminium (colour reference "Olive green polyurethane P008")

Finish of top:

DEKTON® Zenith white
 DEKTON® Ventus grey
 DEKTON® Aura (digital marble)

Finish of extensions:

White lacquered aluminium (similar to RAL 9016)
 "Ventus grey" lacquered aluminium

Note:

Important: the grain pattern reproduced on the surface of DEKTON® Aura (digital marble) tops is random, a special feature that makes each top unique and original. This characteristic implies possible differences to samples that are not to be considered imperfections or irregularities. Due to their random nature, uniform grain patterns cannot be requested.

Important: sizes and finishes marked with (!) require longer production lead time, about 6 weeks from the date of the order.

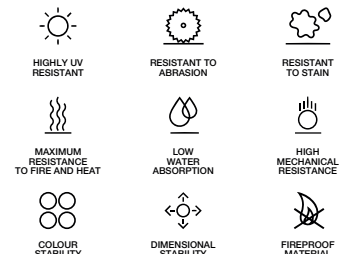
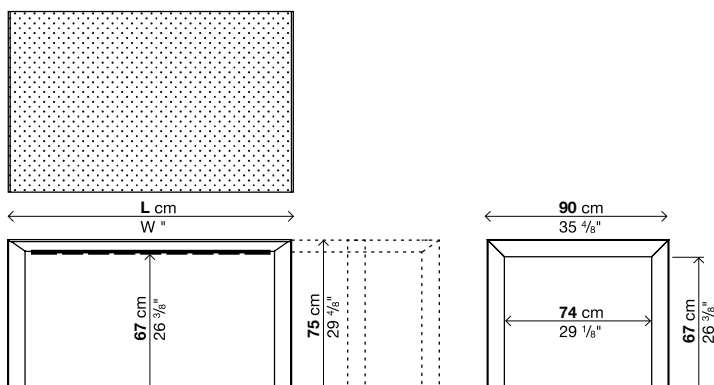
Tables that extend to more than 250 cm have a top that slightly bends, which complies with accepted quality standards.

Reinforced packaging, see inside cover.

Code	Lenght	Legs	Top	pack	m²	Kg
			DEKTON®			
01NOR03	139-176-214	Aluminium		3	0,41	89
		Lacquered				
01NOR04	166-203-241	Aluminium		3	0,5	102
		Lacquered				
01NOR08	189-226-263	Aluminium		3	0,51	105
		Lacquered				

Optionals

Code	Description	pack	m²	Kg
02GTA02	Legs height cut to size	-	-	-



NORI DEKTON® BY COSENTINO

Fixed - Depth 90 cm

Leg finish:

Anodised aluminium
 White lacquered aluminium (similar to RAL 9016)
 "Ventus grey" lacquered aluminium
 Olive green lacquered aluminium (colour reference "Olive green polyurethane P008")

Finish of top:

DEKTON® Zenith white
 DEKTON® Ventus grey
 DEKTON® Aura (digital marble)

Note:

Important: the grain pattern reproduced on the surface of DEKTON® Aura (digital marble) tops is random, a special feature that makes each top unique and original. This characteristic implies possible differences to samples that are not to be considered imperfections or irregularities. Due to their random nature, uniform grain patterns cannot be requested.

Important: sizes and finishes marked with (!) require longer production lead time, about 6 weeks from the date of the order.

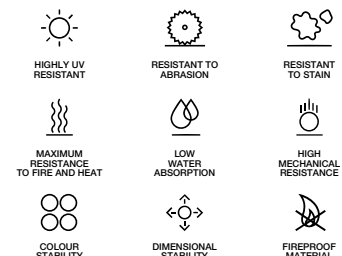
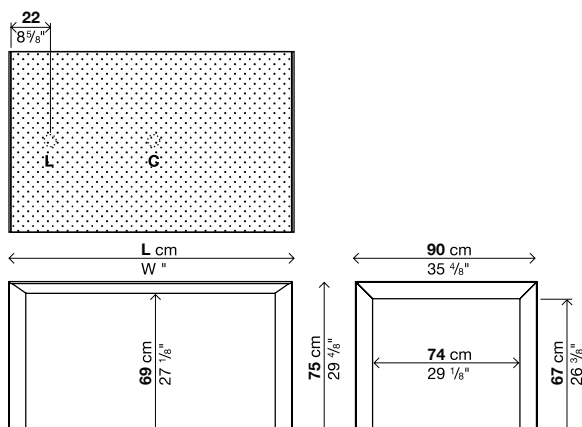
Tables that extend to more than 250 cm have a top that slightly bends, which complies with accepted quality standards.

Reinforced packaging, see inside cover.

Code	Lenght	Legs	Top	pack	m ²	Kg
			DEKTON®			
01NOR03F	139 (!)	Aluminium		1	0,36	60
		Lacquered				
01NOR04F	166 (!)	Aluminium		1	0,42	69
		Lacquered				
01NOR53F	189 (!)	Aluminium		1	0,46	76
		Lacquered				

Optionals

Code	Description	pack	m ²	Kg
02GTA02	Legs height cut to size	-	-	-
02RET02	Plastic cable mesh	1	0,07	1
02VER01	Vertebra, opal white methacrylate	1	0,007	1,5
02CPU02	CPU unit, opal white methacrylate	1	0,14	5,5



NORI DEKTON® BY COSENTINO

Extensible - Depth 100 cm

Leg finish:

Anodised aluminium
 White lacquered aluminium (similar to RAL 9016)
 "Ventus grey" lacquered aluminium
 Olive green lacquered aluminium (colour reference "Olive green polyurethane P008")

Finish of top:

DEKTON® Zenith white
 DEKTON® Ventus grey
 DEKTON® Aura (digital marble)

Finish of extensions:

White lacquered aluminium (similar to RAL 9016)
 "Ventus grey" lacquered aluminium

Note:

Important: the grain pattern reproduced on the surface of DEKTON® Aura (digital marble) tops is random, a special feature that makes each top unique and original. This characteristic implies possible differences to samples that are not to be considered imperfections or irregularities. Due to their random nature, uniform grain patterns cannot be requested.

Important: sizes and finishes marked with (!) require longer production lead time, about 6 weeks from the date of the order.

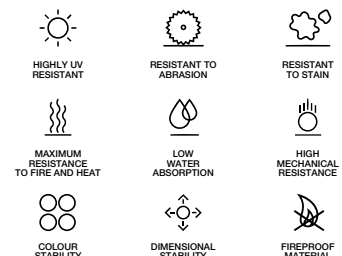
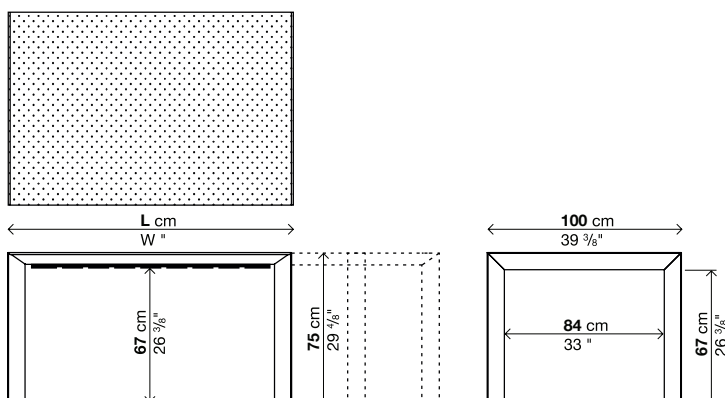
Tables that extend to more than 250 cm have a top that slightly bends, which complies with accepted quality standards.

Reinforced packaging, see inside cover.

Code	Lenght	Legs	Top	pack	m ²	Kg
			DEKTON®			
01NOR05	166-203-240 (!)	Aluminium		3	0,52	108
		Lacquered				
01NOR09	189-226-263 (!)	Aluminium		3	0,57	118
		Lacquered				

Optionals

Code	Description	pack	m ²	Kg
02GTA02	Legs height cut to size	-	-	-



NORI DEKTON® BY COSENTINO

Fixed - Depth 100 cm

Leg finish:

- Anodised aluminium
- White lacquered aluminium (similar to RAL 9016)
- "Ventus grey" lacquered aluminium
- Olive green lacquered aluminium (colour reference "Olive green polyurethane P008")

Finish of top:

- DEKTON® Zenith white
- DEKTON® Ventus grey
- DEKTON® Aura (digital marble)

Note:

Important: the grain pattern reproduced on the surface of DEKTON® Aura (digital marble) tops is random, a special feature that makes each top unique and original. This characteristic implies possible differences to samples that are not to be considered imperfections or irregularities. Due to their random nature, uniform grain patterns cannot be requested.

Important: sizes and finishes marked with (!) require longer production lead time, about 6 weeks from the date of the order.

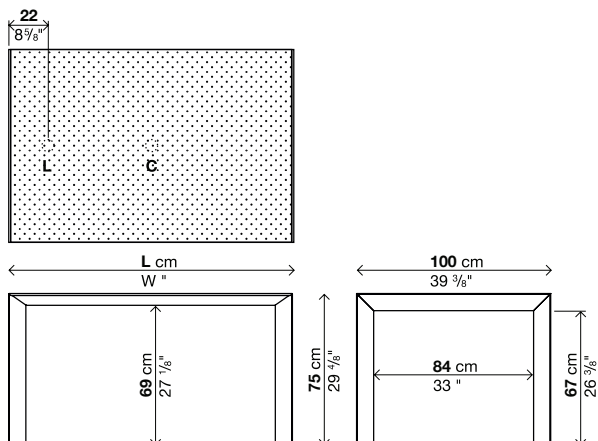
Tables that extend to more than 250 cm have a top that slightly bends, which complies with accepted quality standards.

Reinforced packaging, see inside cover.

Code	Lenght	Legs	Top	pack	m ³	Kg
			DEKTON®			
01NOR05F	166 (!)	Aluminium		1	0,45	74
		Lacquered				
01NOR07F	189 (!)	Aluminium		1	0,5	83
		Lacquered				
01NOR08F	229 (!)	Aluminium		1	0,6	97
		Lacquered				
01NOR69F	269 (!)	Aluminium		1	0,69	115
		Lacquered				

Optionals

Code	Description	pack	m ³	Kg
02GTA02	Legs height cut to size	-	-	-
02RET03	Plastic cable mesh	1	0,07	1
02VER01	Vertebra, opal white methacrylate	1	0,007	1,5
02CPU03	CPU unit, opal white methacrylate	1	0,14	5,5



HIGHLY UV RESISTANT



RESISTANT TO ABRASION



RESISTANT TO STAIN



MAXIMUM RESISTANCE TO FIRE AND HEAT



LOW WATER ABSORPTION



HIGH MECHANICAL RESISTANCE



COLOUR STABILITY



DIMENSIONAL STABILITY



FIREPROOF MATERIAL

NORI WOOD

Extensible - Depth 90 cm

Base finish:

- Anodised aluminium
- White lacquered aluminium (similar to Ral 9016)
- "Alucompact® sand grey" lacquered aluminium (similar to Ral 9002)
- "Alucompact® anthracite grey" lacquered aluminium (similar to Ral 7015)
- "Fenix-NTM® London grey" lacquered aluminium (similar to Ral Design0805005)
- Black lacquered aluminium (similar to Ral 9004)
- Olive green lacquered aluminium (colour reference "Olive green polyurethane P008")

Finish of top/extensions:

- Wood, european oak effect
- Wood, walnut effect
- Wood, black oak effect

Note:

Important: sizes and finishes marked with (!) require longer production lead time, about 6 weeks from the date of the order.

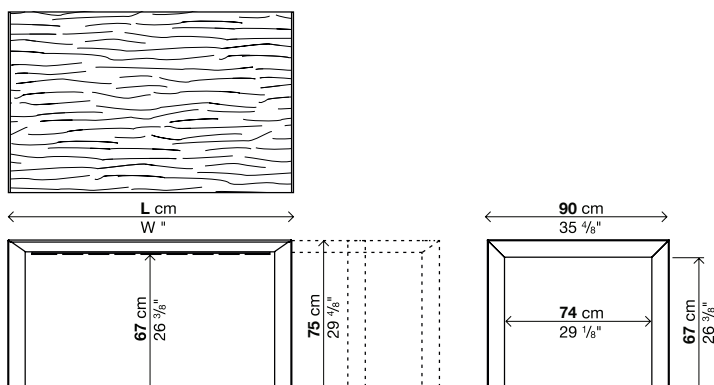
Tables that extend to more than 250 cm have a top that slightly bends, which complies with accepted quality standards.

Reinforced packaging, see inside cover.

Code	Lenght	Legs	Top	pack	m³	Kg
			Wood			
01NOR04	166-201-236-271 with three extensions	Aluminium Lacquered		4	0,5	81
01NOR08	189-224-259-294 with three extensions	Aluminium Lacquered		4	0,53	88,5
01NOR30	209-253-297 (!) with two extensions	Aluminium Lacquered		3	0,55	88

Optionals

Code	Description	pack	m³	Kg
02GTA02	Legs height cut to size	-	-	-



NORI WOOD

Fixed - Depth 90 cm

Base finish:

Anodised aluminium
 White lacquered aluminium (similar to Ral 9016)
 "Alucompact® sand grey" lacquered aluminium (similar to Ral 9002)
 "Alucompact® anthracite grey" lacquered aluminium (similar to Ral 7015)
 "Fenix-NTM® London grey" lacquered aluminium (similar to Ral Design0805005)
 Black lacquered aluminium (similar to Ral 9004)
 Olive green lacquered aluminium (colour reference "Olive green polyurethane P008")

Finish of top:

Wood, european oak effect
 Wood, walnut effect
 Wood, black oak effect

Note:

Important: sizes and finishes marked with (!) require longer production lead time, about 6 weeks from the date of the order.

Tables that extend to more than 250 cm have a top that slightly bends, which complies with accepted quality standards.

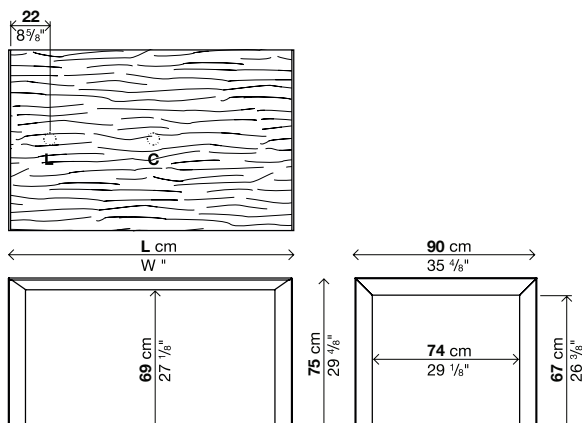
Table L. 269 and 289 cm have an under-top bars as a central support, therefore any cable hole cutouts cannot be centrally positioned in depth but must be slightly shifted.

Reinforced packaging, see inside cover.

Code	Lenght	Legs	Top		
			pack	m ³ Kg	
			Wood		
01NOR53F	189	Aluminium	1	0,46	57
		Lacquered			
01NOR30F	209 (!)	Aluminium	1	0,5	62
		Lacquered			
01NOR55F	229 (!)	Aluminium	1	0,55	66
		Lacquered			
01NOR57F	249 (!)	Aluminium	1	0,59	71
		Lacquered			
01NOR59F	269 (!)	Aluminium	1	0,63	79
		Lacquered			
01NOR61F	289 (!)	Aluminium	1	0,67	85
		Lacquered			

Optionals

Code	Description	pack	m ³	Kg
02GTA02	Legs height cut to size	-	-	-
02FOR01	Lateral or central cable hole Ø6	-	-	-
02RET02	Plastic cable mesh	1	0,07	1
02VER01	Vertebra, opal white methacrylate	1	0,007	1,5
02CPU02	CPU unit, opal white methacrylate	1	0,14	5,5



NORI WOOD

Extensible - Depth 100 cm

Base finish:

- Anodised aluminium
- White lacquered aluminium (similar to Ral 9016)
- "Alucompact® sand grey" lacquered aluminium (similar to Ral 9002)
- "Alucompact® anthracite grey" lacquered aluminium (similar to Ral 7015)
- "Fenix-NTM® London grey" lacquered aluminium (similar to Ral Design0805005)
- Black lacquered aluminium (similar to Ral 9004)
- Olive green lacquered aluminium (colour reference "Olive green polyurethane P008")

Finish of top/extensions:

- Wood, european oak effect
- Wood, walnut effect
- Wood, black oak effect

Note:

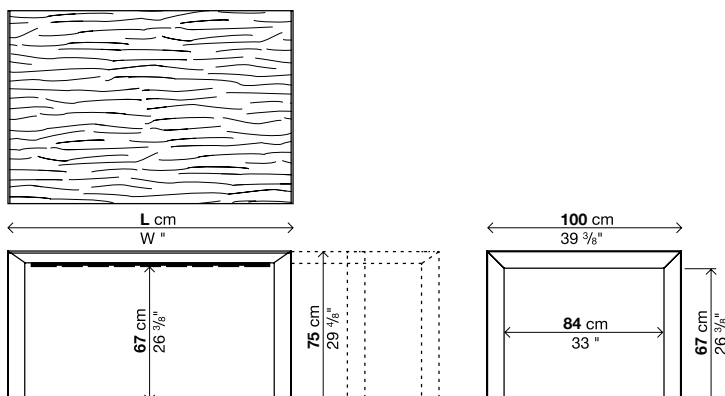
Tables that extend to more than 250 cm have a top that slightly bends, which complies with accepted quality standards.

Reinforced packaging, see inside cover.

Code	Lenght	Legs	Top	pack	m ³	Kg
			Wood			
01NOR05	166-201-236-271 with three extensions	Aluminium		4	0,55	91
		Lacquered				
01NOR09	189-224-259-294 with three extensions	Aluminium		4	0,6	98
		Lacquered				
01NOR06	209-253-297 with two extensions	Aluminium		3	0,62	98
		Lacquered				

Optionals

Code	Description	pack	m ³	Kg
02GTA02	Legs height cut to size	-	-	-



NORI WOOD

Fixed - Depth 100 cm

Base finish:

Anodised aluminium
 White lacquered aluminium (similar to Ral 9016)
 "Alucompact® sand grey" lacquered aluminium (similar to Ral 9002)
 "Alucompact® anthracite grey" lacquered aluminium (similar to Ral 7015)
 "Fenix-NTM® London grey" lacquered aluminium (similar to Ral Design0805005)
 Black lacquered aluminium (similar to Ral 9004)
 Olive green lacquered aluminium (colour reference "Olive green polyurethane P008")

Finish of top:

Wood, european oak effect
 Wood, walnut effect
 Wood, black oak effect

Note:

Important: sizes and finishes marked with (!) require longer production lead time, about 6 weeks from the date of the order.

Tables that extend to more than 250 cm have a top that slightly bends, which complies with accepted quality standards.

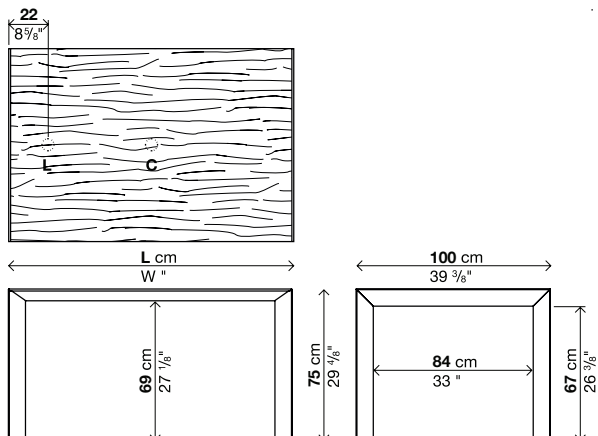
Table L. 269 and 289 cm have an under-top bars as a central support, therefore any cable hole cutouts cannot be centrally positioned in depth but must be slightly shifted.

Reinforced packaging, see inside cover.

Code	Lenght	Legs	Top	pack	m³	Kg
			Wood			
01NOR07F	189	Aluminium		1	0,5	62
		Lacquered				
01NOR06F	209	Aluminium		1	0,55	67
		Lacquered				
01NOR08F	229 (!)	Aluminium		1	0,6	72
		Lacquered				
01NOR67F	249 (!)	Aluminium		1	0,65	77
		Lacquered				
01NOR69F	269 (!)	Aluminium		1	0,69	85
		Lacquered				
01NOR32F	289 (!)	Aluminium		1	0,74	90
		Lacquered				

Optionals

Code	Description	pack	m³	Kg
02GTA02	Legs height cut to size	-	-	-
02FOR01	Lateral or central cable hole Ø6	-	-	-
02RET02	Plastic cable mesh	1	0,07	1
02VER01	Vertebra, opal white methacrylate	1	0,007	1,5
02CPU03	CPU unit, opal white methacrylate	1	0,14	5,5



NORI GLASS

Extensible - Depth 80 cm

Leg finish:

Anodised aluminium
 White lacquered aluminium (similar to RAL 9016)
 Black lacquered aluminium (similar to RAL 9004)

Finish of top:

Gloss glass in colours: extra white, anthracite grey, black, titanium
 Matt glass in colours: extra white, anthracite grey, black, titanium

Finish of extensions:

White Alucompact® laminate
 Sand grey Alucompact® laminate
 Anthracite grey Alucompact® laminate
 Black Alucompact® laminate

Note:

For tables with codes marked with an asterisk (*), a third extension can be added to further increase the length.

Important: sizes and finishes marked with (!) require longer production lead time, about 6 weeks from the date of the order.

Tables that extend to more than 250 cm have a top that slightly bends, which complies with accepted quality standards.

Reinforced packaging, see inside cover.

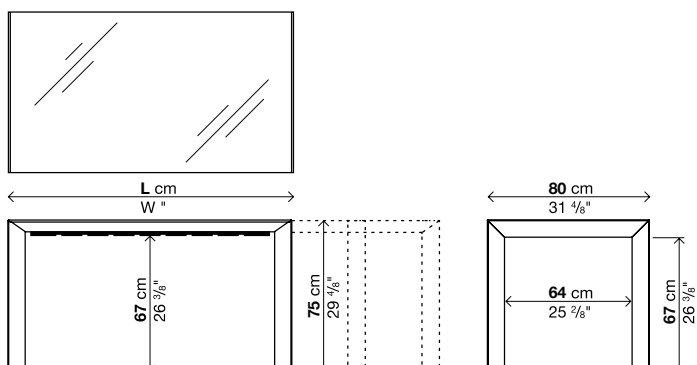
Code	Lenght	Legs	Top		pack	m ²	Kg
			Gloss glass	Matt glass			
01NOR11	114-154-194	Aluminium			3	0,32	64
		Lacquered					
01NOR12	139-179-219	Aluminium			3	0,37	72
		Lacquered					
01NOR16*	166-206-246	Aluminium			3	0,42	79
		Lacquered					

(*) 3rd additional extension

Code	Lenght	Top	pack	m ²	Kg
		Alucompact®			
50SUS5A	33 cm		1	0,03	6

Optionals

Code	Description	pack	m ²	Kg
02GTA02	Legs height cut to size	-	-	-



NORI GLASS

Fixed - Depth 80 cm

Leg finish:

Anodised aluminium

White lacquered aluminium (similar to RAL 9016)

Black lacquered aluminium (similar to RAL 9004)

Finish of top:

Gloss glass in colours: extra white, anthracite grey, black, titanium

Matt glass in colours: extra white, anthracite grey, black, titanium

Note:

Important: sizes and finishes marked with (!) require longer production lead time, about 6 weeks from the date of the order.

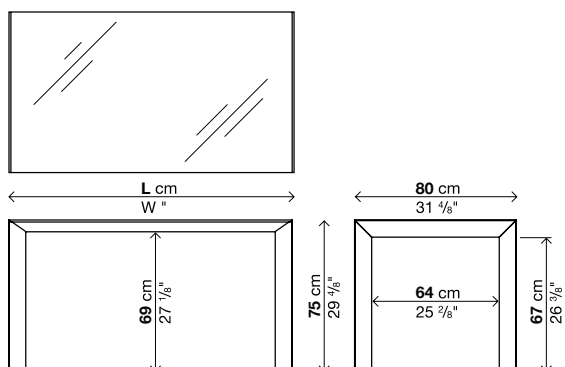
Tables that extend to more than 250 cm have a top that slightly bends, which complies with accepted quality standards.

Reinforced packaging, see inside cover.

Code	Lenght	Legs	Top		pack	m ³	Kg
			Gloss glass	Matt glass			
01NOR11F	114	Aluminium			1	0,27	44
		Lacquered					
01NOR12F	139	Aluminium			1	0,32	52
		Lacquered					
01NOR29F	166	Aluminium			1	0,37	58
		Lacquered					
01NOR34F	189	Aluminium			1	0,41	66
		Lacquered					
01NOR36F	209	Aluminium			1	0,45	72
		Lacquered					
01NOR38F	229 (!)	Aluminium			1	0,49	77
		Lacquered					
01NOR44F	249 (!)	Aluminium			1	0,53	83
		Lacquered					
01NOR46F	269 (!)	Aluminium			1	0,57	88
		Lacquered					
01NOR48F	289 (!)	Aluminium			1	0,61	94
		Lacquered					

Optionals

Code	Description	pack	m ³	Kg
02GTA02	Legs height cut to size	-	-	-
02RET01	Plastic cable mesh	1	0,07	1
02VER01	Vertebra, opal white methacrylate	1	0,007	1,5
02CPU01	CPU unit, opal white methacrylate	1	0,14	5,5



NORI GLASS

Extensible - Depth 90 cm

Leg finish:

Anodised aluminium

White lacquered aluminium (similar to RAL 9016)

Black lacquered aluminium (similar to RAL 9004)

Finish of top:

Gloss glass in colours: extra white, anthracite grey, black, titanium

Matt glass in colours: extra white, anthracite grey, black, titanium

Finish of extensions:

White Alucompact® laminate

Sand grey Alucompact® laminate

Anthracite grey Alucompact® laminate

Black Alucompact® laminate

Note:

For tables with codes marked with an asterisk (*), a third extension can be added to further increase the length.

Important: sizes and finishes marked with (!) require longer production lead time, about 6 weeks from the date of the order.

Tables that extend to more than 250 cm have a top that slightly bends, which complies with accepted quality standards.

Reinforced packaging, see inside cover.

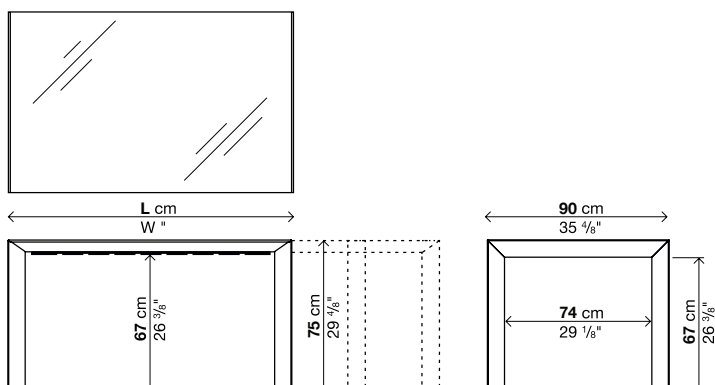
Code	Lenght	Legs	Top		pack	m ²	Kg
			Gloss glass	Matt glass			
01NOR13	139-176-214	Aluminium			3	0,41	81
		Lacquered					
01NOR14	166-203-241-278 3 rd standard extension	Aluminium			4	0,5	96
		Lacquered					
01NOR18*	189-226-263	Aluminium			3	0,51	98
		Lacquered					
01NOR40*	209-246-283	Aluminium			3	0,55	105
		Lacquered					

(*) 3rd additional extension

Code	Lenght	Top	pack	m ²	Kg
		Alucompact®			
50SUS2A	37,5 cm		1	0,03	6,5

Optionals

Code	Description	pack	m ²	Kg
02GTA02	Legs height cut to size	-	-	-



NORI GLASS

Fixed - Depth 90 cm

Leg finish:

Anodised aluminium

White lacquered aluminium (similar to RAL 9016)

Black lacquered aluminium (similar to RAL 9004)

Finish of top:

Gloss glass in colours: extra white, anthracite grey, black, titanium

Matt glass in colours: extra white, anthracite grey, black, titanium

Note:

Important: sizes and finishes marked with (!) require longer production lead time, about 6 weeks from the date of the order.

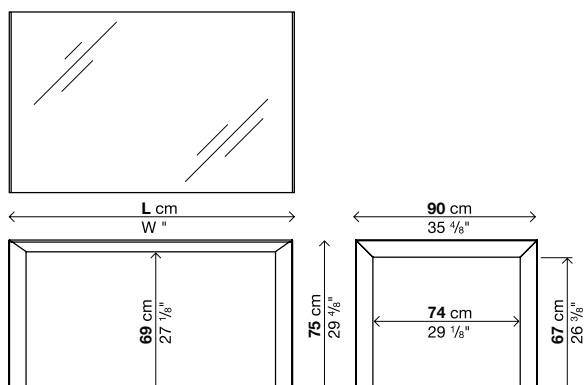
Tables that extend to more than 250 cm have a top that slightly bends, which complies with accepted quality standards.

Reinforced packaging, see inside cover.

Code	Lenght	Legs	Top		pack	m ³	Kg
			Gloss glass	Matt glass			
01NOR52F	114	Aluminium			1	0,3	51
		Lacquered					
01NOR13F	139	Aluminium			1	0,36	58
		Lacquered					
01NOR14F	166	Aluminium			1	0,42	67
		Lacquered					
01NOR54F	189	Aluminium			1	0,46	74
		Lacquered					
01NOR40F	209	Aluminium			1	0,5	80
		Lacquered					
01NOR56F	229 (!)	Aluminium			1	0,55	86
		Lacquered					
01NOR58F	249 (!)	Aluminium			1	0,59	92
		Lacquered					
01NOR60F	269 (!)	Aluminium			1	0,63	103
		Lacquered					
01NOR62F	289 (!)	Aluminium			1	0,67	109
		Lacquered					

Optionals

Code	Description	pack	m ³	Kg
02GTA02	Legs height cut to size	-	-	-
02RET02	Plastic cable mesh	1	0,07	1
02VER01	Vertebra, opal white methacrylate	1	0,007	1,5
02CPU02	CPU unit, opal white methacrylate	1	0,14	5,5



NORI GLASS

Extensible - Depth 100 cm

Leg finish:

Anodised aluminium
 White lacquered aluminium (similar to RAL 9016)
 Black lacquered aluminium (similar to RAL 9004)

Finish of top:

Gloss glass in colours: extra white, anthracite grey, black, titanium
 Matt glass in colours: extra white, anthracite grey, black, titanium

Finish of extensions:

White Alucompact® laminate
 Sand grey Alucompact® laminate
 Anthracite grey Alucompact® laminate
 Black Alucompact® laminate

Note:

For tables with codes marked with an asterisk (*), a third extension can be added to further increase the length.

Important: sizes and finishes marked with (!) require longer production lead time, about 6 weeks from the date of the order.

Tables that extend to more than 250 cm have a top that slightly bends, which complies with accepted quality standards.

Reinforced packaging, see inside cover.

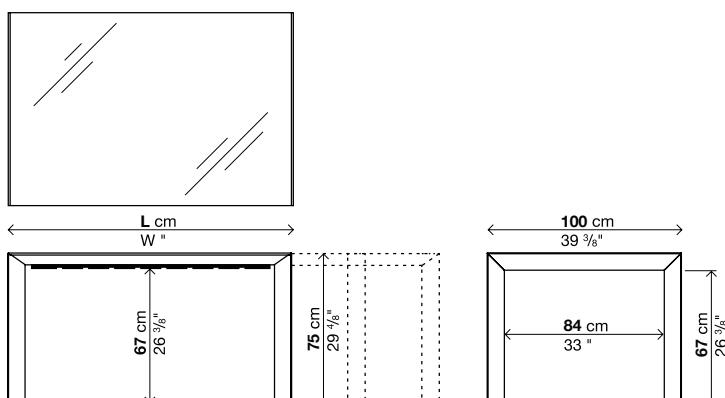
Code	Lenght	Legs	Top		pack	m ²	Kg
			Gloss glass	Matt glass			
01NOR15*	166-213-260	Aluminium			3	0,52	101
		Lacquered					
01NOR19*	189-236-283	Aluminium			3	0,57	108
		Lacquered					
01NOR17*	209-256-303	Aluminium			3	0,62	118
		Lacquered					

(*) 3rd additional extension

Code	Lenght	Top	pack	m ²	Kg
		Alucompact®			
50SUS6A	33 cm		1	0,03	6

Optionals

Code	Description	pack	m ²	Kg
02GTA02	Legs height cut to size	-	-	-



NORI GLASS

Fixed - Depth 100 cm

Leg finish:

Anodised aluminium

White lacquered aluminium (similar to RAL 9016)

Black lacquered aluminium (similar to RAL 9004)

Finish of top:

Gloss glass in colours: extra white, anthracite grey, black, titanium

Matt glass in colours: extra white, anthracite grey, black, titanium

Note:

Important: sizes and finishes marked with (!) require longer production lead time, about 6 weeks from the date of the order.

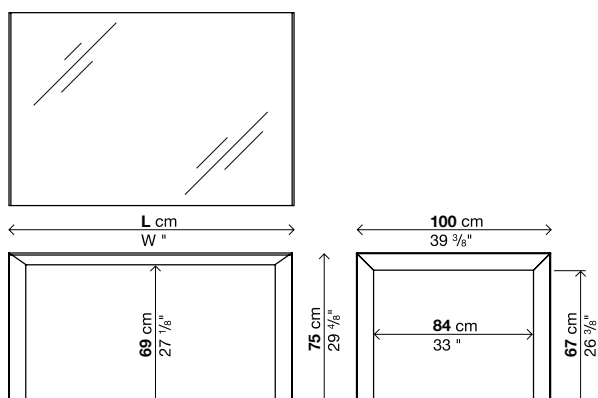
Tables that extend to more than 250 cm have a top that slightly bends, which complies with accepted quality standards.

Reinforced packaging, see inside cover.

Code	Lenght	Legs	Top		pack	m ²	Kg
			Gloss glass	Matt glass			
01NOR66F	139	Aluminium			1	0,39	63
		Lacquered					
01NOR15F	166	Aluminium			1	0,45	72
		Lacquered					
01NOR18F	189	Aluminium			1	0,5	80
		Lacquered					
01NOR17F	209	Aluminium			1	0,55	87
		Lacquered					
01NOR19F	229 (!)	Aluminium			1	0,6	93
		Lacquered					
01NOR68F	249 (!)	Aluminium			1	0,65	100
		Lacquered					
01NOR70F	269 (!)	Aluminium			1	0,69	110
		Lacquered					
01NOR42F	289 (!)	Aluminium			1	0,74	118
		Lacquered					

Optionals

Code	Description	pack	m ²	Kg
02GTA02	Legs height cut to size	-	-	-
02RET03	Plastic cable mesh	1	0,07	1
02VER01	Vertebra, opal white methacrylate	1	0,007	1,5
02CPU03	CPU unit, opal white methacrylate	1	0,14	5,5



NORI GLASS

Fixed - Depth 124 cm

Leg finish:

Anodised aluminium

White lacquered aluminium (similar to RAL 9016)

Black lacquered aluminium (similar to RAL 9004)

Finish of top:

Gloss glass in colours: extra white, anthracite grey, black, titanium

Matt glass in colours: extra white, anthracite grey, black, titanium

Note:

Important: sizes and finishes marked with (!) require longer production lead time, about 6 weeks from the date of the order.

Tables that extend to more than 250 cm have a top that slightly bends, which complies with accepted quality standards.

Reinforced packaging, see inside cover.

Code	Lenght	Legs	Top		pack	m ²	Kg
			Gloss glass	Matt glass			
01NOR72F	209 (!)	Aluminium			1	0,66	109
		Lacquered					
01NOR74F	229 (!)	Aluminium			1	0,72	118
		Lacquered					
01NOR76F	277 (!)	Aluminium			1	0,85	140
		Lacquered					

Optionals

Code	Description	pack	m ²	Kg
02GTA02	Legs height cut to size	-	-	-
02RET04	Plastic cable mesh	1	0,07	1
02VER01	Vertebra, opal white methacrylate	1	0,007	1,5
02CPU04	CPU unit, opal white methacrylate	1	0,14	5,5

