

NEAT Sizes

Prof. 90 cm
Depth 35³/₈"

90 **160 cm**
63"
→ Fenix-NTM®
→ Wood

180 cm
70⁷/₈"
→ Fenix-NTM®
→ Wood

200 cm
78⁶/₈"
→ Fenix-NTM®
→ Wood

Prof. 100 cm
Depth 39³/₈"

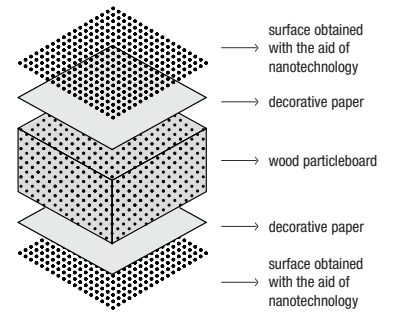
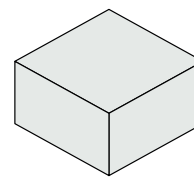
100 **220 cm**
86⁵/₈"
→ Fenix-NTM®
→ Wood

250 cm
98³/₈"
→ Fenix-NTM®
→ Wood

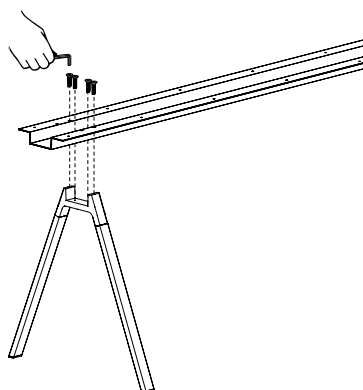
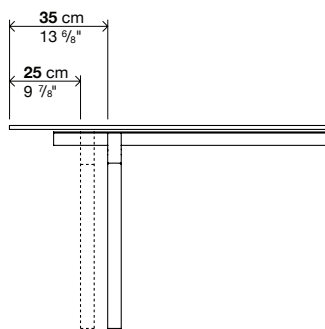
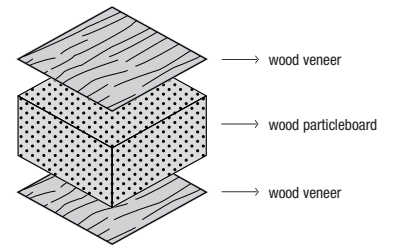
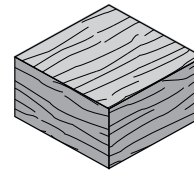
280 cm
110²/₈"
→ Fenix-NTM®
→ Wood

Tops 30 mm thick

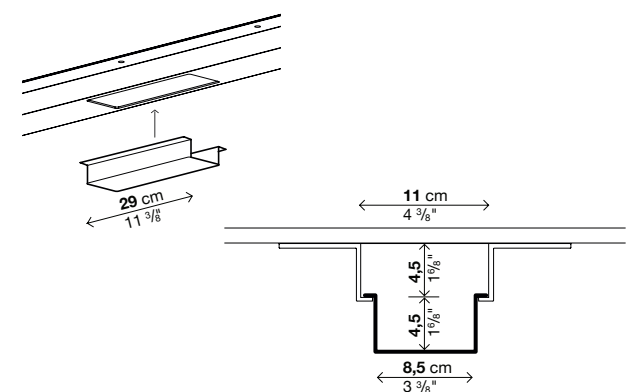
Fenix-NTM®



Wood



When assembling, you can choose whether to position the legs in a recessed position in relation to the edge of the table (25 or 35 cm).



Under-top tray in transparent methacrylate. It slots into the openings of the central drawn element of the structure and houses electric gang-sockets.

NEAT

Fenix-NTM® top

Leg finish:

White lacquered aluminium (similar to RAL 9016)
 Black lacquered aluminium (similar to RAL 9004)

Finish of top:

Kos white 0032 Fenix-NTM®

Note:

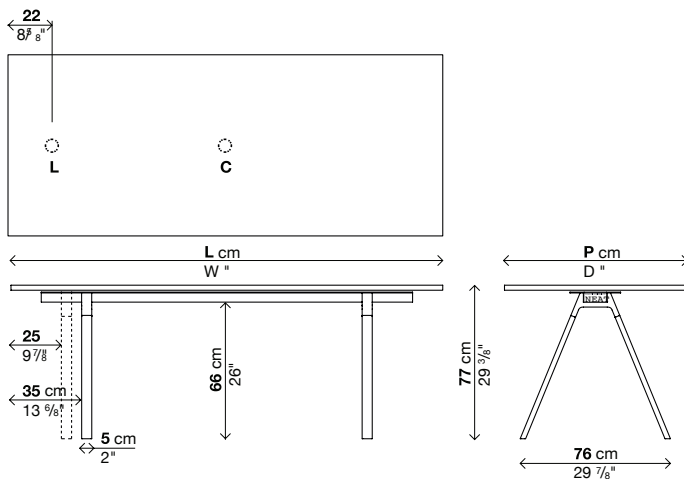
Important: sizes and finishes marked with (!) require longer production lead time, about 6 weeks from the date of the order.

Reinforced packaging, see inside cover.

| Code | Dimensions | Legs | Top | pack | m ³ | Kg |
|----------|---------------|---------------------|------------|------|----------------|----|
| | | | Fenix-NTM® | | | |
| 01NEA03F | 160 x 90 (!) | Lacquered aluminium | | 1 | 0,32 | 49 |
| 01NEA04F | 180 x 90 (!) | Lacquered aluminium | | 1 | 0,37 | 55 |
| 01NEA05F | 200 x 90 (!) | Lacquered aluminium | | 1 | 0,41 | 60 |
| 01NEA31F | 220 x 100 (!) | Lacquered aluminium | | 1 | 0,49 | 71 |
| 01NEA35F | 250 x 100 (!) | Lacquered aluminium | | 1 | 0,53 | 76 |
| 01NEA34F | 280 x 100 (!) | Lacquered aluminium | | 1 | 0,61 | 87 |

Optionals

| Code | Description | pack | m ³ | Kg |
|---------|-------------------------------------|------|----------------|-----|
| 02FOR04 | Lateral or central cable hole Ø6 cm | - | - | - |
| 02VAS01 | Under-top tray in methacrylate | - | - | - |
| 02VER01 | Vertebra, opal white methacrylate | 1 | 0,007 | 1,5 |



NEAT

Wooden top

Leg finish:

White lacquered aluminium (similar to RAL 9016)

Black lacquered aluminium (similar to RAL 9004)

Finish of top:

Wood, european oak effect

Wood, walnut effect

Wood, black oak effect

Note:

Important: sizes and finishes marked with (!) require longer production lead time, about 6 weeks from the date of the order.

Reinforced packaging, see inside cover.

| Code | Lenght | Legs | Top | pack | m ³ | Kg |
|-----------------|---------------|---------------------|------|------|----------------|----|
| | | | Wood | | | |
| 01NEA03F | 160 x 90 (!) | Lacquered aluminium | | 1 | 0,32 | 49 |
| 01NEA04F | 180 x 90 (!) | Lacquered aluminium | | 1 | 0,37 | 55 |
| 01NEA05F | 200 x 90 (!) | Lacquered aluminium | | 1 | 0,41 | 60 |
| 01NEA31F | 220 x 100 (!) | Lacquered aluminium | | 1 | 0,49 | 71 |
| 01NEA35F | 250 x 100 (!) | Lacquered aluminium | | 1 | 0,53 | 76 |
| 01NEA34F | 280 x 100 (!) | Lacquered aluminium | | 1 | 0,61 | 87 |

Optionals

| Code | Description | pack | m ³ | Kg |
|----------------|-------------------------------------|------|----------------|-----|
| 02FOR04 | Lateral or central cable hole Ø6 cm | - | - | - |
| 02VAS01 | Under-top tray in methacrylate | - | - | - |
| 02VER01 | Vertebra, opal white methacrylate | 1 | 0,007 | 1,5 |

