

MAKI

Sizes

Prof. 80 cm Depth 314/8"

80	114 cm 447/8"	→ Alucompact® → Pure-white → Glass
	114/154/194 cm 447/8/605/8/763/8"	→ Alucompact® → Pure-white → Glass
	139 cm 546/8"	→ Alucompact® → Pure-white → Glass
	139/179/219 cm 546/8/704/8/862/8"	→ Alucompact® → Pure-white → Glass
	166 cm 653/8"	→ Alucompact® → Pure-white → Glass
	166/206/246 cm 653/8/811/8/967/8"	→ Alucompact® → Pure-white → Glass *
	189 cm 743/8"	→ Alucompact® → Pure-white → Glass
	209 cm 822/8"	→ Alucompact® → Pure-white → Glass
	229 cm 901/8"	→ Alucompact® → Pure-white → Glass
	249 cm 98"	→ Alucompact® → Pure-white → Glass
	269 cm 1057/8"	→ Alucompact® → Pure-white → Glass
	289 cm 1136/8"	→ Alucompact® → Pure-white → Glass

Prof. 90 cm Depth 353/8"

90	114 cm 447/8"	→ Alucompact® → Pure-white → Glass
	139 cm 546/8"	→ Alucompact® → Pure-white → Fenix-NTM® → Glass → DEKTON®
	139/176/214 cm 546/8/692/8/842/8"	→ Alucompact® → Pure-white → Fenix-NTM® → Glass → DEKTON®
	166 cm 653/8"	→ Alucompact® → Pure-white → Fenix-NTM® → Glass → DEKTON®
	166/203/241/278 cm 653/8/797/8/947/8/1094/8"	→ Alucompact® → Pure-white → Fenix-NTM® → Glass
	166/203/241 cm 653/8/797/8/947/8"	→ DEKTON®
	166/201/236/271 cm 653/8/791/8/927/8/1066/8"	→ Wood
	189 cm 743/8"	→ Alucompact® → Pure-white → Fenix-NTM® → Glass → DEKTON® → Wood
	189/226/263 cm 743/8/89/1034/8"	→ Alucompact® → Pure-white → Fenix-NTM® → Glass
	189/226/263 cm 743/8/89/1034/8"	→ DEKTON®
	189/224/259/294 cm 743/8/882/8/102/1156/8"	→ Wood
	209 cm 822/8"	→ Alucompact® → Pure-white → Fenix-NTM® → Glass → Wood
	209/246/283 cm 822/8/967/8/1113/8"	→ Alucompact® → Pure-white → Fenix-NTM® → Glass *
	209/253/297 cm 822/8/995/8/1167/8"	→ Wood
	229 cm 901/8"	→ Alucompact® → Pure-white → Glass → Wood
	249 cm 98"	→ Alucompact® → Pure-white → Glass → Wood
	269 cm 1057/8"	→ Alucompact® → Pure-white → Glass → Wood
	289 cm 1136/8"	→ Alucompact® → Pure-white → Glass → Wood

Prof. 100 cm Depth 393/8"

100	139 cm 546/8"	→ Alucompact® → Pure-white → Glass
	166 cm 653/8"	→ Alucompact® → Pure-white → Fenix-NTM® → Glass → DEKTON®
	166/213/260 cm 653/8/837/8/1023/8"	→ Alucompact® → Pure-white → Fenix-NTM® → Glass *
	166/203/240 cm 653/8/797/8/944/8"	→ DEKTON®
	166/201/236/271 cm 653/8/791/8/927/8/1066/8"	→ Wood
	189 cm 743/8"	→ Alucompact® → Pure-white → Fenix-NTM® → Glass → DEKTON® → Wood
	189/236/283 cm 743/8/927/8/1113/8"	→ Alucompact® → Pure-white → Fenix-NTM® → Glass *
	189/226/263 cm 743/8/89/1034/8"	→ DEKTON®
	189/224/259/294 cm 743/8/882/8/102/1156/8"	→ Wood
	209 cm 822/8"	→ Alucompact® → Pure-white → Fenix-NTM® → Glass → Wood
	209/256/303 cm 822/8/1006/8/1192/8"	→ Alucompact® → Pure-white → Fenix-NTM® → Glass *
	209/253/297 cm 822/8/995/8/1167/8"	→ Wood
	229 cm 901/8"	→ Alucompact® → Pure-white → Glass → DEKTON® → Wood
	249 cm 98"	→ Alucompact® → Pure-white → Glass → Wood
	269 cm 1057/8"	→ Alucompact® → Pure-white → Glass → DEKTON® → Wood
	289 cm 1136/8"	→ Alucompact® → Pure-white → Glass → Wood

* = 3rd additional extension (on request)

Tops

Prof. 124 cm
Depth 483/8"

124

209 cm
822/8"

- Alucompact®
- Pure-white
- Glass

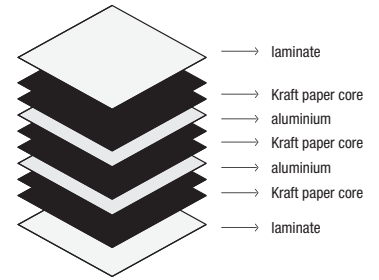
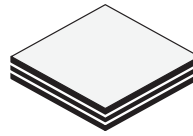
229 cm
901/8"

- Alucompact®
- Pure-white
- Glass

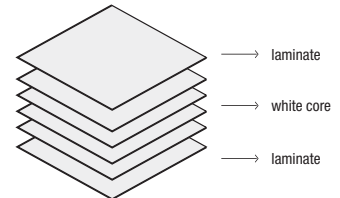
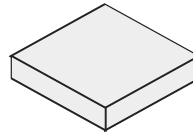
277 cm
109"

- Alucompact®
- Pure-white
- Glass

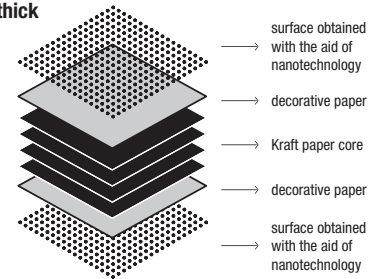
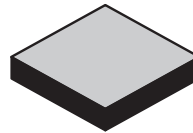
Alucompact® 10 mm thick



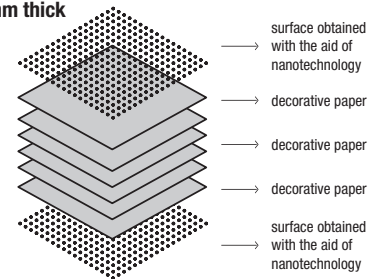
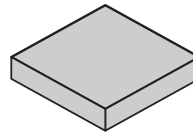
Pure-white 10 mm thick



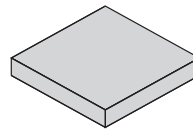
Fenix-NTM® black edge 10 mm thick



Fenix-NTM® coloured edge 10 mm thick

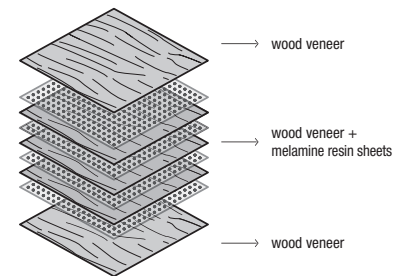
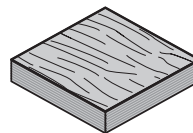


DEKTON® by Cosentino 8 mm thick

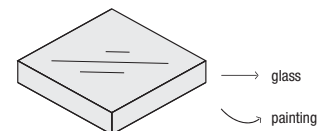
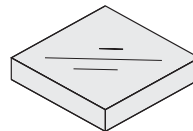


Dekton is a sophisticated mix of raw materials used to create glass, latest generation ceramic and top-quality quartz surfaces.

Wood 10 mm thick



Glass 10 mm thick



MAKI ALUCOMPACT® / PURE-WHITE

Extensible - Depth 80 cm

Leg finish:

White lacquered aluminium (similar to RAL 9016)

"Alucompact® sand grey" lacquered aluminium (similar to RAL 9002)

"Alucompact® anthracite grey" lacquered aluminium (similar to RAL 7015)

Black lacquered aluminium (similar to RAL 9004)

Finish of top/extensions:

Alucompact® laminate (white, sand grey, anthracite grey, black)

Pure-white laminate

Note:

For tables with codes marked with an asterisk (*), a third extension can be added to further increase the length.

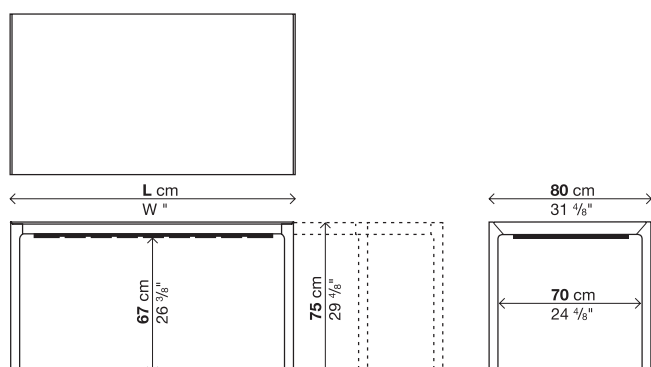
Important: sizes and finishes marked with (!) require longer production lead time, about 6 weeks from the date of the order.

Reinforced packaging, see inside cover.

Code	Lenght	Legs	Top		pack	m ²	Kg
			Alucompact®	Pure-white (!)			
01MAK01	114-154-194	Lacquered			3	0,32	63
01MAK02	139-179-219	Lacquered			3	0,37	69
01MAK07*	166-206-246	Lacquered			3	0,42	75

(*) 3rd additional extension

Code	Lenght	Top		pack	m ²	Kg
		Alucompact®	Pure-white			
50SUS5A	33 cm			1	0,03	6



MAKI ALUCOMPACT® / PURE-WHITE

Fixed - Depth 80 cm

Leg finish:

White lacquered aluminium (similar to RAL 9016)
 "Alucompact® sand grey" lacquered aluminium (similar to RAL 9002)
 "Alucompact® anthracite grey" lacquered aluminium (similar to RAL 7015)
 Black lacquered aluminium (similar to RAL 9004)

Finish of top:

Alucompact® laminate (white, sand grey, anthracite grey, black)

Pure-white laminate

Note:

Important: sizes and finishes marked with (!) require longer production lead time, about 6 weeks from the date of the order.

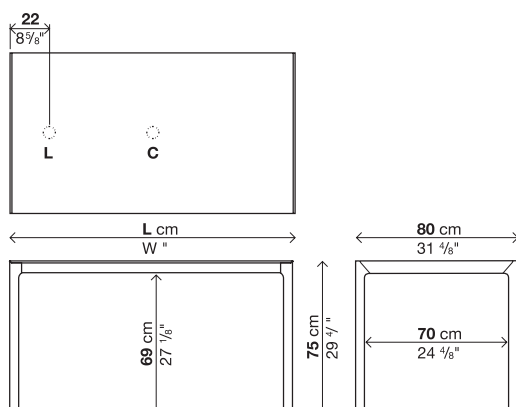
Tables that extend to more than 250 cm have a top that slightly bends, which complies with accepted quality standards.

Reinforced packaging, see inside cover.

Code	Lenght	Legs	Top		pack	m ³	Kg
			Alucompact®	Pure-white			
01MAK01F	114	Lacquered			1	0,27	43
01MAK02F	139	Lacquered			1	0,32	49
01MAK28F	166 (!)	Lacquered			1	0,37	55
01MAK33F	189 (!)	Lacquered			1	0,41	60
01MAK35F	209 (!)	Lacquered			1	0,45	64
01MAK37F	229 (!)	Lacquered			1	0,49	68
01MAK43F	249 (!)	Lacquered			1	0,53	73
01MAK45F	269 (!)	Lacquered			1	0,57	76
01MAK47F	289 (!)	Lacquered			1	0,61	80

Optionals

Code	Description	pack	m ³	Kg
02FOR01	Lateral or central cable hole Ø6	-	-	-
02RET01	Plastic cable mesh	1	0,07	1
02VER01	Vertebra, opal white methacrylate	1	0,007	1,5
02CPU01	CPU unit, opal white methacrylate	1	0,14	5,5



MAKI ALUCOMPACT® / PURE-WHITE / FENIX-NTM®

Extensible - Depth 90 cm

Leg finish:

White lacquered aluminium (similar to RAL 9016)
 "Alucompact® sand grey" lacquered aluminium (similar to RAL 9002)
 "Alucompact® anthracite grey" lacquered aluminium (similar to RAL 7015)
 Black lacquered aluminium (similar to RAL 9004)
 Olive green lacquered aluminium (colour reference "Olive green polyurethane P008")

Finish of top/extensions:

Alucompact® laminate (white, sand grey, anthracite grey, black)

 Pure-white laminate

 Fenix-NTM® black edge (white Kos 0032, London grey 0718, Bromo grey 0724, Ingo black 0720)

 Fenix-NTM® coloured edge (white Kos 0032, London grey 0718)

Note:

For tables with codes marked with an asterisk (*), a third extension can be added to further increase the length.

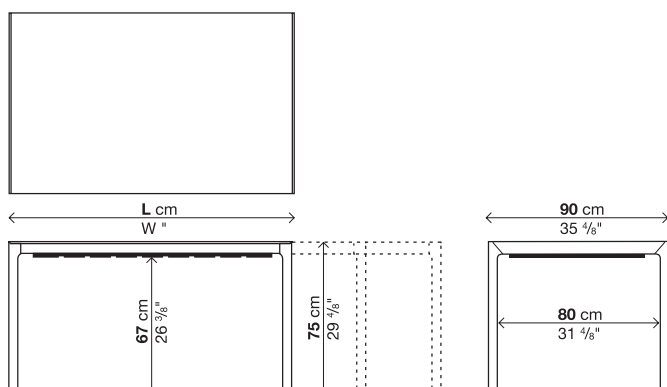
Important: sizes and finishes marked with (!) require longer production lead time, about 6 weeks from the date of the order.

Reinforced packaging, see inside cover.

Code	Lenght	Legs	Top				pack	m ²	Kg
			Alucompact®	Fenix-NTM® black edge	Pure-white	Fenix-NTM® coloured edge			
01MAK03	139-176-214	Lacquered					3	0,41	79
01MAK04	166-203-241-278 3 rd standard extension	Lacquered					4	0,5	89
01MAK08*	189-226-263	Lacquered					3	0,51	90
01MAK30*	209-246-283	Lacquered					3	0,55	96

(*) 3rd additional extension

Code	Lenght	Top				pack	m ²	Kg
		Alucompact®	Fenix-NTM® black edge	Pure-white	Fenix-NTM® coloured edge			
50SUS2A	37,5 cm					1	0,03	6,5



MAKI ALUCOMPACT® / PURE-WHITE / FENIX-NTM®

Fixed - Depth 90 cm

Leg finish:

White lacquered aluminium (similar to RAL 9016)
 "Alucompact® sand grey" lacquered aluminium (similar to RAL 9002)
 "Alucompact® anthracite grey" lacquered aluminium (similar to RAL 7015)
 Black lacquered aluminium (similar to RAL 9004)
 Olive green lacquered aluminium (colour reference "Olive green polyurethane P008")

Finish of top:

Alucompact® laminate (white, sand grey, anthracite grey, black)

 Pure-white laminate

 Fenix-NTM® black edge (white Kos 0032, London grey 0718, Bromo grey 0724, Ingo black 0720)

 Fenix-NTM® coloured edge (white Kos 0032, London grey 0718)

Note:

Important: sizes and finishes marked with (!) require longer production lead time, about 6 weeks from the date of the order.

Tables that extend to more than 250 cm have a top that slightly bends, which complies with accepted quality standards.

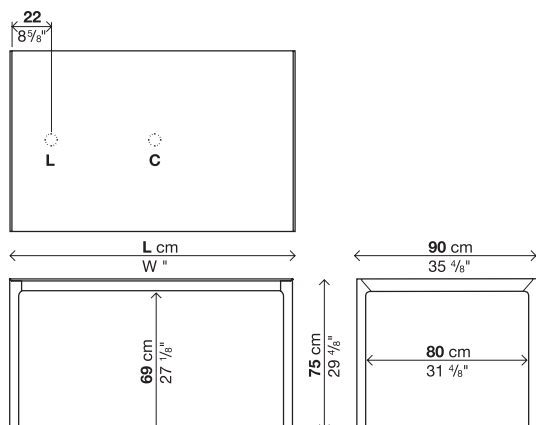
Table L. 269 and 289 cm have an under-top bars as a central support, therefore any cable hole cutouts cannot be centrally positioned in depth but must be slightly shifted.

Reinforced packaging, see inside cover.

Code	Lenght	Legs	Top				pack	m ³	Kg
			Alucompact®	Fenix-NTM® black edge	Pure-white	Fenix-NTM® coloured edge			
01MAK51F	114	Lacquered		-		-	1	0,3	49
01MAK03F	139	Lacquered					1	0,36	54
01MAK04F	166	Lacquered					1	0,42	60
01MAK53F	189	Lacquered					1	0,46	65
01MAK30F	209	Lacquered					1	0,5	70
01MAK55F	229 (!)	Lacquered		-		-	1	0,55	74
01MAK57F	249 (!)	Lacquered		-		-	1	0,59	79
01MAK59F	269 (!)	Lacquered		-		-	1	0,63	87
01MAK61F	289 (!)	Lacquered		-		-	1	0,67	93

Optionals

Code	Description	pack	m ³	Kg
02FOR01	Lateral or central cable hole Ø6	-	-	-
02RET02	Plastic cable mesh	1	0,07	1
02VER01	Vertebra, opal white methacrylate	1	0,007	1,5
02CPU02	CPU unit, opal white methacrylate	1	0,14	5,5



MAKI ALUCOMPACT® / PURE-WHITE / FENIX-NTM®

Extensible - Depth 100 cm

Leg finish:

White lacquered aluminium (similar to RAL 9016)
 "Alucompact® sand grey" lacquered aluminium (similar to RAL 9002)
 "Alucompact® anthracite grey" lacquered aluminium (similar to RAL 7015)
 Black lacquered aluminium (similar to RAL 9004)
 Olive green lacquered aluminium (colour reference "Olive green polyurethane P008")

Finish of top/extensions:

Alucompact® laminate (white, sand grey, anthracite grey, black)

 Pure-white laminate

 Fenix-NTM® black edge (white Kos 0032, London grey 0718, Bromo grey 0724, Ingo black 0720)

 Fenix-NTM® coloured edge (white Kos 0032, London grey 0718)

Note:

For tables with codes marked with an asterisk (*), a third extension can be added to further increase the length.

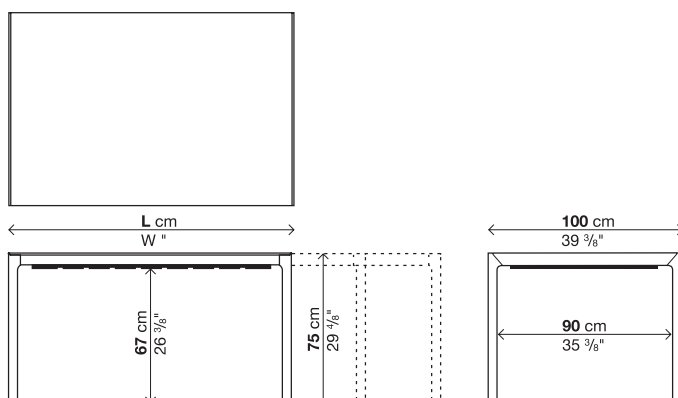
Important: sizes and finishes marked with (!) require longer production lead time, about 6 weeks from the date of the order.

Reinforced packaging, see inside cover.

Code	Lenght	Legs	Top				pack	m ³	Kg
			Alucompact®	Fenix-NTM® black edge	Pure-white	Fenix-NTM® coloured edge			
01MAK05*	166-213-260	Lacquered					3	0,52	93
01MAK09*	189-236-283	Lacquered					3	0,57	100
01MAK06*	209-256-303	Lacquered					3	0,62	106

(*) 3rd additional extension

Code	Lenght	Top				pack	m ³	Kg
		Alucompact®	Fenix-NTM® black edge	Pure-white	Fenix-NTM® coloured edge			
50SUS6A	33 cm					1	0,03	6



MAKI ALUCOMPACT® / PURE-WHITE / FENIX-NTM®

Fixed - Depth 100 cm

Leg finish:

White lacquered aluminium (similar to RAL 9016)
 "Alucompact® sand grey" lacquered aluminium (similar to RAL 9002)
 "Alucompact® anthracite grey" lacquered aluminium (similar to RAL 7015)
 Black lacquered aluminium (similar to RAL 9004)
 Olive green lacquered aluminium (colour reference "Olive green polyurethane P008")

Finish of top:

Alucompact® laminate (white, sand grey, anthracite grey, black)

 Pure-white laminate

 Fenix-NTM® black edge (white Kos 0032, London grey 0718, Bromo grey 0724, Ingo black 0720)

 Fenix-NTM® coloured edge (white Kos 0032, London grey 0718)

Note:

Important: sizes and finishes marked with (!) require longer production lead time, about 6 weeks from the date of the order.

Tables that extend to more than 250 cm have a top that slightly bends, which complies with accepted quality standards.

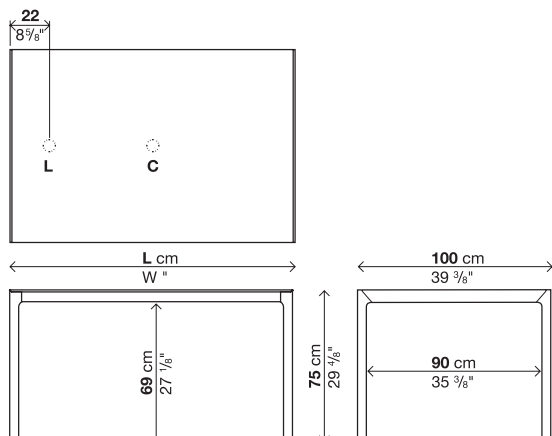
Table L. 269 and 289 cm have an under-top bars as a central support, therefore any cable hole cutouts cannot be centrally positioned in depth but must be slightly shifted.

Reinforced packaging, see inside cover.

Code	Lenght	Legs	Top				pack	m ³	Kg
			Alucompact®	Fenix-NTM® black edge	Pure-white	Fenix-NTM® coloured edge			
01MAK65F	139	Lacquered		-		-	1	0,39	58
01MAK05F	166	Lacquered					1	0,45	64
01MAK07F	189	Lacquered					1	0,5	70
01MAK06F	209	Lacquered					1	0,55	75
01MAK08F	229 (!)	Lacquered		-		-	1	0,6	80
01MAK67F	249 (!)	Lacquered		-		-	1	0,65	85
01MAK69F	269 (!)	Lacquered		-		-	1	0,69	63
01MAK32F	289 (!)	Lacquered		-		-	1	0,74	98

Optionals

Code	Description	pack	m ³	Kg
02FOR01	Lateral or central cable hole Ø6	-	-	-
02RET03	Plastic cable mesh	1	0,07	1
02VER01	Vertebra, opal white methacrylate	1	0,007	1,5
02CPU03	CPU unit, opal white methacrylate	1	0,14	5,5



MAKI ALUCOMPACT® / PURE-WHITE

Fixed - Depth 124 cm

Leg finish:

White lacquered aluminium (similar to RAL 9016)
 "Alucompact® sand grey" lacquered aluminium (similar to RAL 9002)
 "Alucompact® anthracite grey" lacquered aluminium (similar to RAL 7015)
 Black lacquered aluminium (similar to RAL 9004)
 Olive green lacquered aluminium (colour reference "Olive green polyurethane P008")

Finish of top:

Alucompact® laminate (white, sand grey, anthracite grey, black)

 Pure-white laminate

Note:

Important: sizes and finishes marked with (!) require longer production lead time, about 6 weeks from the date of the order.

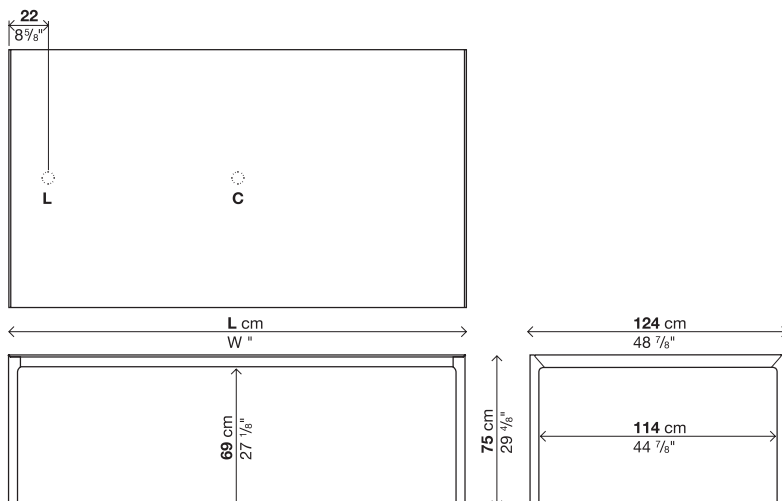
Tables that extend to more than 250 cm have a top that slightly bends, which complies with accepted quality standards.

Reinforced packaging, see inside cover.

Code	Lenght	Legs	Top		pack	m ²	Kg
			Alucompact®	Pure-white			
01MAK71F	209 (!)	Lacquered			1	0,66	94
01MAK73F	229 (!)	Lacquered			1	0,72	100
01MAK75F	277 (!)	Lacquered			1	0,85	116

Optionals

Code	Description	pack	m ²	Kg
02FOR01	Lateral or central cable hole Ø6	-	-	-
02RET04	Plastic cable mesh	1	0,07	1
02VER01	Vertebra, opal white methacrylate	1	0,007	1,5
02CPU04	CPU unit, opal white methacrylate	1	0,14	5,5



MAKI DEKTON® BY COSENTINO

Extensible - Depth 90 cm

Leg finish:

White lacquered aluminium (similar to RAL 9016)

"Ventus grey" lacquered aluminium

Olive green lacquered aluminium (colour reference "Olive green polyurethane P008")

Finish of top:

DEKTON® Zenith white

DEKTON® Ventus grey

DEKTON® Aura (digital marble)

Finish of extensions:

White lacquered aluminium (similar to RAL 9016)

"Ventus grey" lacquered aluminium

Note:

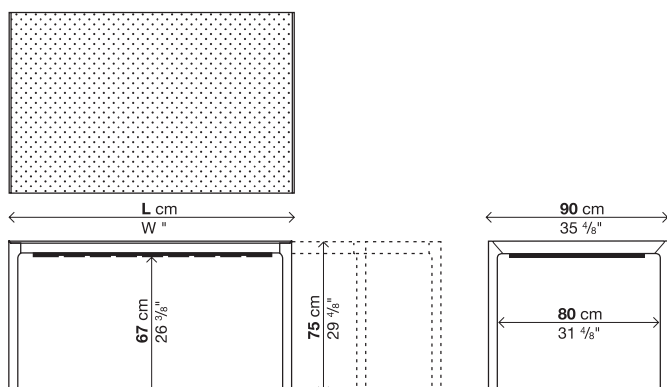
Important: the grain pattern reproduced on the surface of DEKTON® Aura (digital marble) tops is random, a special feature that makes each top unique and original. This characteristic implies possible differences to samples that are not to be considered imperfections or irregularities. Due to their random nature, uniform grain patterns cannot be requested.

Important: sizes and finishes marked with (!) require longer production lead time, about 6 weeks from the date of the order.

Tables that extend to more than 250 cm have a top that slightly bends, which complies with accepted quality standards.

Reinforced packaging, see inside cover.

Code	Lenght	Legs	Top	pack	m ²	Kg
			DEKTON®			
01MAK03	139-176-214 (!)	Lacquered		3	0,41	97
01MAK04	166-203-241 (!)	Lacquered		3	0,5	110
01MAK08	189-226-263 (!)	Lacquered		3	0,51	113



MAKI DEKTON® BY COSENTINO

Fixed - Depth 90 cm

Leg finish:

White lacquered aluminium (similar to RAL 9016)

"Ventus grey" lacquered aluminium

Olive green lacquered aluminium (colour reference "Olive green polyurethane P008")

Finish of top:

DEKTON® Zenith white

DEKTON® Ventus grey

DEKTON® Aura (digital marble)

Note:

Important: the grain pattern reproduced on the surface of DEKTON® Aura (digital marble) tops is random, a special feature that makes each top unique and original. This characteristic implies possible differences to samples that are not to be considered imperfections or irregularities. Due to their random nature, uniform grain patterns cannot be requested.

Important: sizes and finishes marked with (!) require longer production lead time, about 6 weeks from the date of the order.

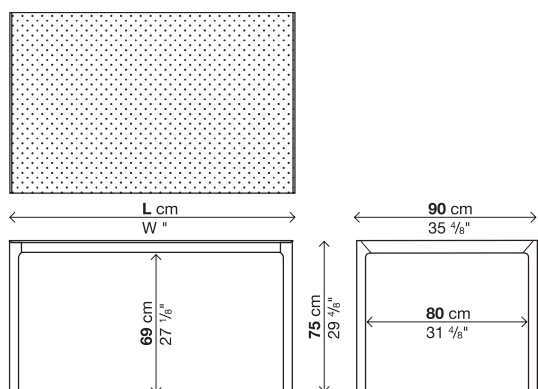
Tables that extend to more than 250 cm have a top that slightly bends, which complies with accepted quality standards.

Reinforced packaging, see inside cover.

Code	Lenght	Legs	Top	pack	m ³	Kg
			DEKTON®			
01MAK03F	139 (!)	Lacquered		1	0,36	68
01MAK04F	166 (!)	Lacquered		1	0,42	77
01MAK53F	189 (!)	Lacquered		1	0,46	84

Optionals

Code	Description	pack	m ³	Kg
02RET02	Plastic cable mesh	1	0,07	1
02VER01	Vertebra, opal white methacrylate	1	0,007	1,5
02CPU02	CPU unit, opal white methacrylate	1	0,14	5,5



HIGHLY UV
RESISTANT



RESISTANT TO
ABRASION



RESISTANT
TO STAIN



MAXIMUM
RESISTANCE
TO FIRE AND HEAT



LOW
WATER
ABSORPTION



HIGH
MECHANICAL
RESISTANCE



COLOUR
STABILITY



DIMENSIONAL
STABILITY



FIREPROOF
MATERIAL

MAKI DEKTON® BY COSENTINO

Extensible - Depth 100 cm

Leg finish:

White lacquered aluminium (similar to RAL 9016)

"Ventus grey" lacquered aluminium

Olive green lacquered aluminium (colour reference "Olive green polyurethane P008")

Finish of top:

DEKTON® Zenith white

DEKTON® Ventus grey

DEKTON® Aura (digital marble)

Finish of extensions:

White lacquered aluminium (similar to RAL 9016)

"Ventus grey" lacquered aluminium

Note:

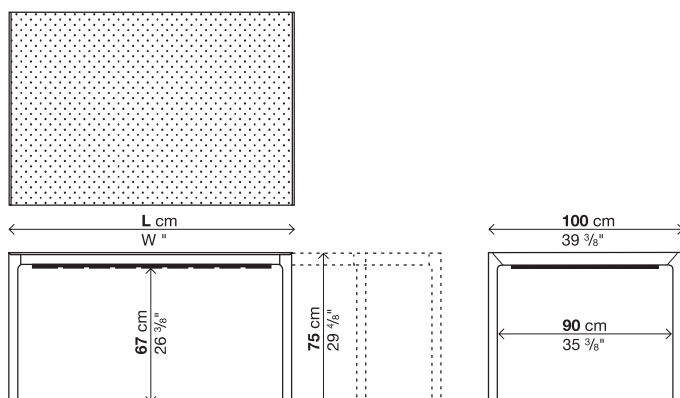
Important: the grain pattern reproduced on the surface of DEKTON® Aura (digital marble) tops is random, a special feature that makes each top unique and original. This characteristic implies possible differences to samples that are not to be considered imperfections or irregularities. Due to their random nature, uniform grain patterns cannot be requested.

Important: sizes and finishes marked with (!) require longer production lead time, about 6 weeks from the date of the order.

Tables that extend to more than 250 cm have a top that slightly bends, which complies with accepted quality standards.

Reinforced packaging, see inside cover.

Code	Lenght	Legs	Top	pack	m ²	Kg
			DEKTON®			
01MAK05	166-203-240 (!)	Lacquered		3	0,52	116
01MAK09	189-226-263 (!)	Lacquered		3	0,57	126



MAKI DEKTON® BY COSENTINO

Fixed - Depth 100 cm

Leg finish:

White lacquered aluminium (similar to RAL 9016)

"Ventus grey" lacquered aluminium

Olive green lacquered aluminium (colour reference "Olive green polyurethane P008")

Finish of top:

DEKTON® Zenith white

DEKTON® Ventus grey

DEKTON® Aura (digital marble)

Note:

Important: the grain pattern reproduced on the surface of DEKTON® Aura (digital marble) tops is random, a special feature that makes each top unique and original. This characteristic implies possible differences to samples that are not to be considered imperfections or irregularities. Due to their random nature, uniform grain patterns cannot be requested.

Important: sizes and finishes marked with (!) require longer production lead time, about 6 weeks from the date of the order.

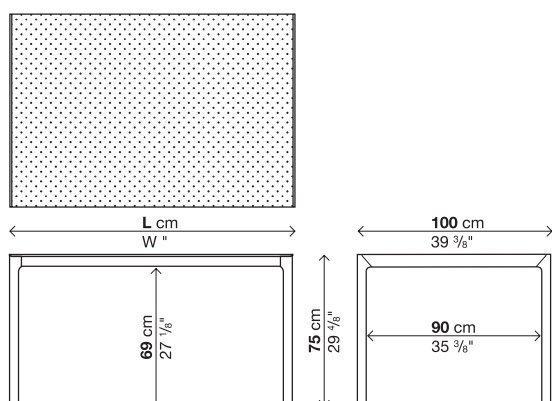
Tables that extend to more than 250 cm have a top that slightly bends, which complies with accepted quality standards.

Reinforced packaging, see inside cover.

Code	Lenght	Legs	Top	pack	m ³	Kg
			DEKTON®			
01MAK05F	166 (!)	Lacquered		1	0,45	82
01MAK07F	189 (!)	Lacquered		1	0,5	91
01MAK08F	229 (!)	Lacquered		1	0,6	105
01MAK69F	269 (!)	Lacquered		1	0,69	123

Optionals

Code	Description	pack	m ³	Kg
02RET03	Plastic cable mesh	1	0,07	1
02VER01	Vertebra, opal white methacrylate	1	0,007	1,5
02CPU03	CPU unit, opal white methacrylate	1	0,14	5,5



HIGHLY UV RESISTANT



RESISTANT TO ABRASION



RESISTANT TO STAIN



MAXIMUM RESISTANCE TO FIRE AND HEAT



LOW WATER ABSORPTION



HIGH MECHANICAL RESISTANCE



COLOUR STABILITY



DIMENSIONAL STABILITY



FIREPROOF MATERIAL

MAKI WOOD

Extensible - Depth 90 cm

Base finish:

White lacquered aluminium (similar to Ral 9016)
 "Alucompact® sand grey" lacquered aluminium (similar to Ral 9002)
 "Alucompact® anthracite grey" lacquered aluminium (similar to Ral 7015)
 "Fenix-NTM® London grey" lacquered aluminium (similar to Ral Design0805005)
 Black lacquered aluminium (similar to Ral 9004)
 Olive green lacquered aluminium (colour reference "Olive green polyurethane P008")

Finish of top/extensions:

Wood, european oak effect
 Wood, walnut effect
 Wood, black oak effect

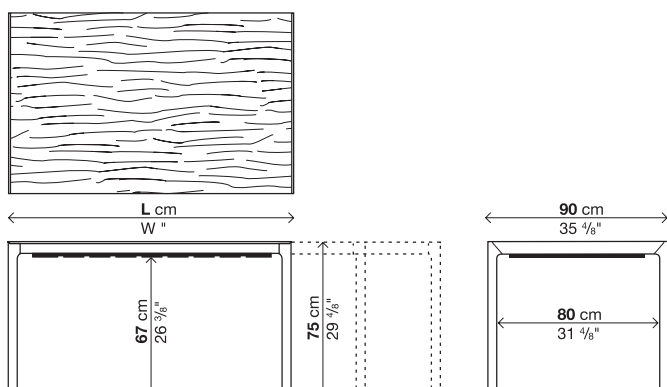
Note:

Important: sizes and finishes marked with (!) require longer production lead time, about 6 weeks from the date of the order.

Tables that extend to more than 250 cm have a top that slightly bends, which complies with accepted quality standards.

Reinforced packaging, see inside cover.

Code	Lenght	Legs	Top	pack	m ³	Kg
			Wood			
01MAK04	166-201-236-271 with three extensions	Lacquered		4	0,5	89
01MAK08	189-224-259-294 with three extensions	Lacquered		4	0,54	96,5
01MAK30	209-253-297 (!) with two extensions	Lacquered		3	0,55	96



MAKI WOOD

Fixed - Depth 90 cm

Base finish:

White lacquered aluminium (similar to Ral 9016)
 "Alucompact® sand grey" lacquered aluminium (similar to Ral 9002)
 "Alucompact® anthracite grey" lacquered aluminium (similar to Ral 7015)
 "Fenix-NTM® London grey" lacquered aluminium (similar to Ral Design0805005)
 Black lacquered aluminium (similar to Ral 9004)
 Olive green lacquered aluminium (colour reference "Olive green polyurethane P008")

Finish of top:

Wood, european oak effect
 Wood, walnut effect
 Wood, black oak effect

Note:

Important: sizes and finishes marked with (!) require longer production lead time, about 6 weeks from the date of the order.

Tables that extend to more than 250 cm have a top that slightly bends, which complies with accepted quality standards.

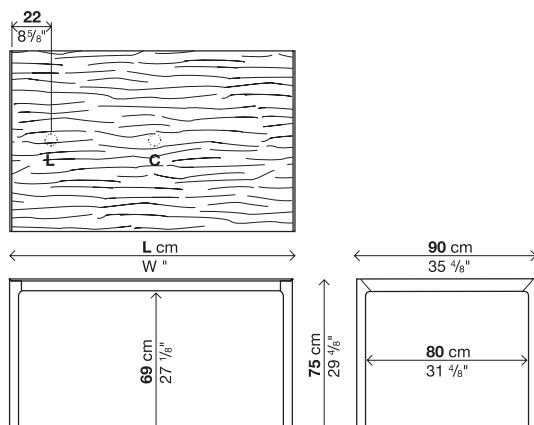
Table L. 269 and 289 cm have an under-top bars as a central support, therefore any cable hole cutouts cannot be centrally positioned in depth but must be slightly shifted.

Reinforced packaging, see inside cover.

Code	Lenght	Legs	Top	pack	m ³	Kg
			Wood			
01MAK53F	189	Lacquered		1	0,46	65
01MAK30F	209 (!)	Lacquered		1	0,5	70
01MAK55F	229 (!)	Lacquered		1	0,55	74
01MAK57F	249 (!)	Lacquered		1	0,59	79
01MAK59F	269 (!)	Lacquered		1	0,63	87
01MAK61F	289 (!)	Lacquered		1	0,67	93

Optionals

Code	Description	pack	m ³	Kg
02FOR01	Lateral or central cable hole Ø6	-	-	-
02RET02	Plastic cable mesh	1	0,07	1
02VER01	Vertebra, opal white methacrylate	1	0,007	1,5
02CPU02	CPU unit, opal white methacrylate	1	0,14	5,5



MAKI WOOD

Extensible - Depth 100 cm

Base finish:

White lacquered aluminium (similar to Ral 9016)
 "Alucompact® sand grey" lacquered aluminium (similar to Ral 9002)
 "Alucompact® anthracite grey" lacquered aluminium (similar to Ral 7015)
 "Fenix-NTM® London grey" lacquered aluminium (similar to Ral Design0805005)
 Black lacquered aluminium (similar to Ral 9004)
 Olive green lacquered aluminium (colour reference "Olive green polyurethane P008")

Finish of top/extensions:

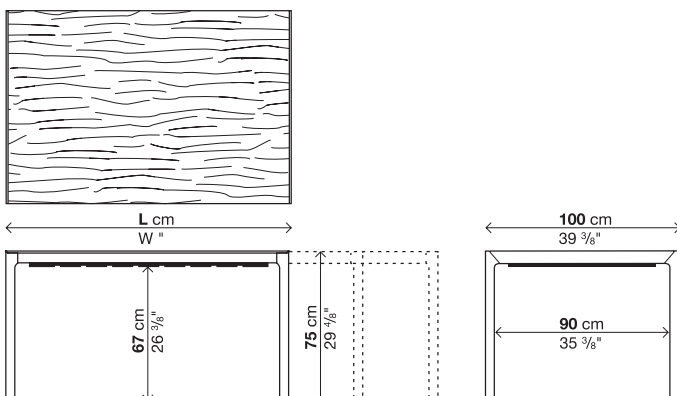
Wood, european oak effect
 Wood, walnut effect
 Wood, black oak effect

Note:

Tables that extend to more than 250 cm have a top that slightly bends, which complies with accepted quality standards.

Reinforced packaging, see inside cover.

Code	Lenght	Legs	Top	pack	m ³	Kg
			Wood			
01MAK05	166-201-236-271 with three extensions	Lacquered		4	0,55	91
01MAK09	189-224-259-294 with three extensions	Lacquered		4	0,6	98
01MAK06	209-253-297 with two extensions	Lacquered		3	0,62	98



MAKI WOOD

Fixed - Depth 100 cm

Base finish:

White lacquered aluminium (similar to Ral 9016)
 "Alucompact® sand grey" lacquered aluminium (similar to Ral 9002)
 "Alucompact® anthracite grey" lacquered aluminium (similar to Ral 7015)
 "Fenix-NTM® London grey" lacquered aluminium (similar to Ral Design0805005)
 Black lacquered aluminium (similar to Ral 9004)
 Olive green lacquered aluminium (colour reference "Olive green polyurethane P008")

Finish of top:

Wood, european oak effect
 Wood, walnut effect
 Wood, black oak effect

Note:

Important: sizes and finishes marked with (!) require longer production lead time, about 6 weeks from the date of the order.

Tables that extend to more than 250 cm have a top that slightly bends, which complies with accepted quality standards.

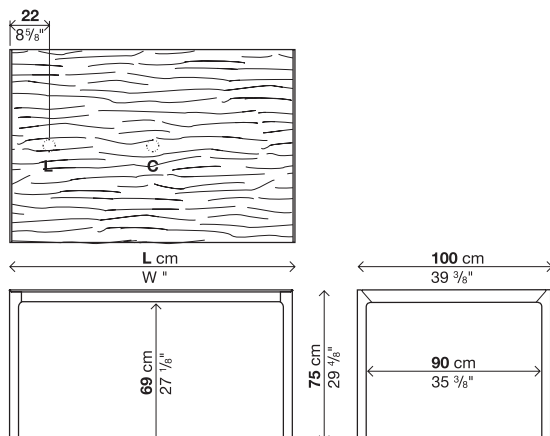
Table L. 269 and 289 cm have an under-top bars as a central support, therefore any cable hole cutouts cannot be centrally positioned in depth but must be slightly shifted.

Reinforced packaging, see inside cover.

Code	Lenght	Legs	Top	pack	m ³	Kg
			Wood			
01MAK07F	189	Lacquered		1	0,5	70
01MAK06F	209	Lacquered		1	0,55	75
01MAK08F	229 (!)	Lacquered		1	0,6	80
01MAK67F	249 (!)	Lacquered		1	0,65	85
01MAK69F	269 (!)	Lacquered		1	0,69	93
01MAK32F	289 (!)	Lacquered		1	0,74	98

Optionals

Code	Description	pack	m ³	Kg
02FOR01	Lateral or central cable hole Ø6	-	-	-
02RET02	Plastic cable mesh	1	0,07	1
02VER01	Vertebra, opal white methacrylate	1	0,007	1,5
02CPU03	CPU unit, opal white methacrylate	1	0,14	5,5



MAKI GLASS

Extensible - Depth 80 cm

Leg finish:

White lacquered aluminium (similar to RAL 9016)

Black lacquered aluminium (similar to RAL 9004)

Finish of top:

Gloss glass in colours: extra white, anthracite grey, black, titanium

Matt glass in colours: extra white, anthracite grey, black, titanium

Finish of extensions:

White Alucompact® laminate

Sand grey Alucompact® laminate

Anthracite grey Alucompact® laminate

Black Alucompact® laminate

Note:

For tables with codes marked with an asterisk (*), a third extension can be added to further increase the length.

Important: sizes and finishes marked with (!) require longer production lead time, about 6 weeks from the date of the order.

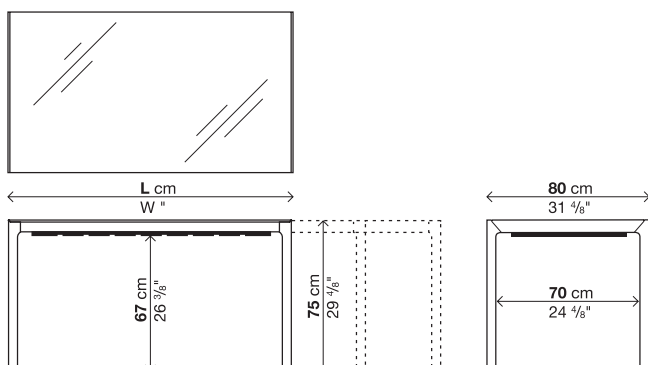
Tables that extend to more than 250 cm have a top that slightly bends, which complies with accepted quality standards.

Reinforced packaging, see inside cover.

Code	Lenght	Legs	Top		pack	m ³	Kg
			Gloss glass	Matt glass			
01MAK11	114-154-194	Lacquered			3	0,32	72
01MAK12	139-179-219	Lacquered			3	0,37	80
01MAK16*	166-206-246	Lacquered			3	0,42	87

(*) 3rd additional extension

Code	Lenght	Top		pack	m ³	Kg
		Alucompact®				
50SUS5A	33 cm			1	0,03	6



MAKI GLASS

Fixed - Depth 80 cm

Leg finish:

White lacquered aluminium (similar to RAL 9016)

Black lacquered aluminium (similar to RAL 9004)

Finish of top:

Gloss glass in colours: extra white, anthracite grey, black, titanium

Matt glass in colours: extra white, anthracite grey, black, titanium

Note:

Important: sizes and finishes marked with (!) require longer production lead time, about 6 weeks from the date of the order.

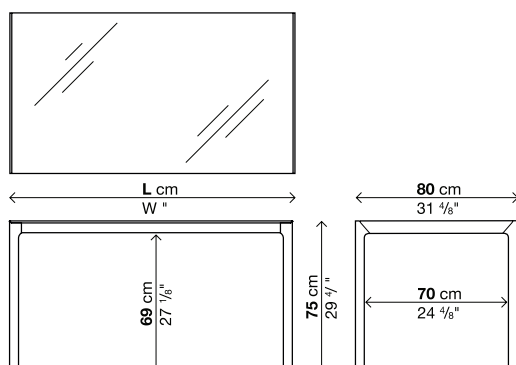
Tables that extend to more than 250 cm have a top that slightly bends, which complies with accepted quality standards.

Reinforced packaging, see inside cover.

Code	Lenght	Legs	Top		pack	m ²	Kg
			Gloss glass	Matt glass			
01MAK11F	114	Lacquered			1	0,27	52
01MAK12F	139	Lacquered			1	0,32	60
01MAK29F	166	Lacquered			1	0,37	66
01MAK34F	189	Lacquered			1	0,41	74
01MAK36F	209	Lacquered			1	0,45	80
01MAK38F	229 (!)	Lacquered			1	0,49	85
01MAK44F	249 (!)	Lacquered			1	0,53	91
01MAK46F	269 (!)	Lacquered			1	0,57	96
01MAK48F	289 (!)	Lacquered			1	0,61	102

Optionals

Code	Description	pack	m ²	Kg
02RET01	Plastic cable mesh	1	0,07	1
02VER01	Vertebra, opal white methacrylate	1	0,007	1,5
02CPU01	CPU unit, opal white methacrylate	1	0,14	5,5



MAKI GLASS

Extensible - Depth 90 cm

Leg finish:

White lacquered aluminium (similar to RAL 9016)

Black lacquered aluminium (similar to RAL 9004)

Finish of top:

Gloss glass in colours: extra white, anthracite grey, black, titanium

Matt glass in colours: extra white, anthracite grey, black, titanium

Finish of extensions:

White Alucompact® laminate

Sand grey Alucompact® laminate

Anthracite grey Alucompact® laminate

Black Alucompact® laminate

Note:

For tables with codes marked with an asterisk (*), a third extension can be added to further increase the length.

Important: sizes and finishes marked with (!) require longer production lead time, about 6 weeks from the date of the order.

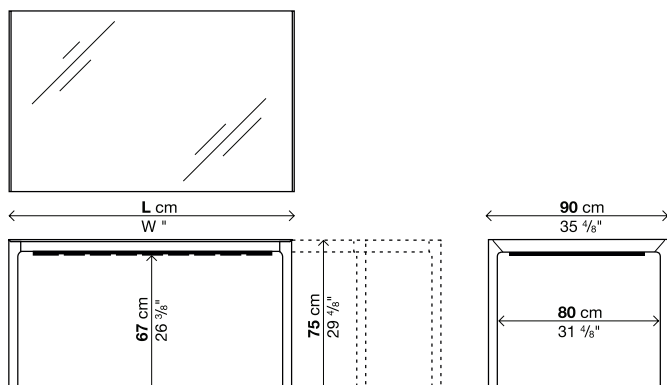
Tables that extend to more than 250 cm have a top that slightly bends, which complies with accepted quality standards.

Reinforced packaging, see inside cover.

Code	Lenght	Legs	Top		pack	m ²	Kg
			Gloss glass	Matt glass			
01MAK13	139-176-214	Lacquered			3	0,41	89
01MAK14	166-203-241-278 3 rd standard extension	Lacquered			4	0,5	104
01MAK18*	189-226-263	Lacquered			3	0,51	106
01MAK40*	209-246-283	Lacquered			3	0,55	113

(*) 3rd additional extension

Code	Lenght	Top		pack	m ²	Kg
		Alucompact®				
50SUS2A	37,5 cm			1	0,03	6,5



MAKI GLASS

Fixed - Depth 90 cm

Leg finish:

White lacquered aluminium (similar to RAL 9016)

Black lacquered aluminium (similar to RAL 9004)

Finish of top:

Gloss glass in colours: extra white, anthracite grey, black, titanium

Matt glass in colours: extra white, anthracite grey, black, titanium

Note:

Important: sizes and finishes marked with (!) require longer production lead time, about 6 weeks from the date of the order.

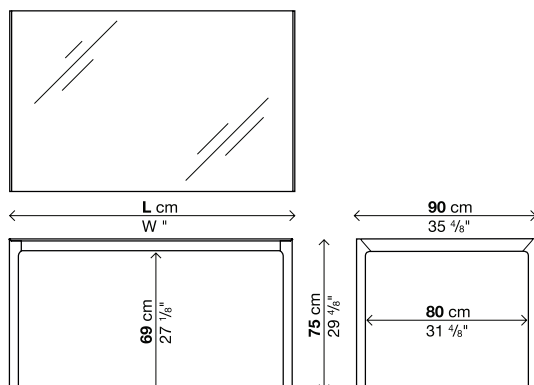
Tables that extend to more than 250 cm have a top that slightly bends, which complies with accepted quality standards.

Reinforced packaging, see inside cover.

Code	Lenght	Legs	Top		pack	m ³	Kg
			Gloss glass	Matt glass			
01MAK52F	114	Lacquered			1	0,3	59
01MAK13F	139	Lacquered			1	0,36	66
01MAK14F	166	Lacquered			1	0,42	75
01MAK54F	189	Lacquered			1	0,46	82
01MAK40F	209	Lacquered			1	0,5	88
01MAK56F	229 (!)	Lacquered			1	0,55	94
01MAK58F	249 (!)	Lacquered			1	0,59	100
01MAK60F	269 (!)	Lacquered			1	0,63	111
01MAK62F	289 (!)	Lacquered			1	0,67	117

Optionals

Code	Description	pack	m ³	Kg
02RET02	Plastic cable mesh	1	0,07	1
02VER01	Vertebra, opal white methacrylate	1	0,007	1,5
02CPU02	CPU unit, opal white methacrylate	1	0,14	5,5



MAKI GLASS

Extensible - Depth 100 cm

Leg finish:

White lacquered aluminium (similar to RAL 9016)

Black lacquered aluminium (similar to RAL 9004)

Finish of top:

Gloss glass in colours: extra white, anthracite grey, black, titanium

Matt glass in colours: extra white, anthracite grey, black, titanium

Finish of extensions:

White Alucompact® laminate

Sand grey Alucompact® laminate

Anthracite grey Alucompact® laminate

Black Alucompact® laminate

Note:

For tables with codes marked with an asterisk (*), a third extension can be added to further increase the length.

Important: sizes and finishes marked with (!) require longer production lead time, about 6 weeks from the date of the order.

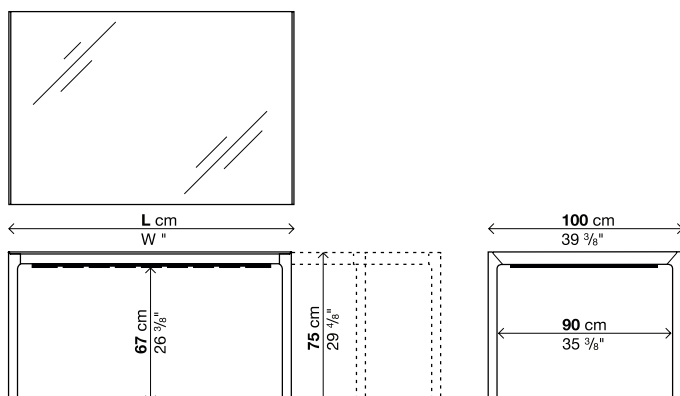
Tables that extend to more than 250 cm have a top that slightly bends, which complies with accepted quality standards.

Reinforced packaging, see inside cover.

Code	Lenght	Legs	Top		pack	m ³	Kg
			Gloss glass	Matt glass			
01MAK15*	166-213-260	Lacquered			3	0,52	109
01MAK19*	189-236-283	Lacquered			3	0,57	116
01MAK17*	209-256-303	Lacquered			3	0,62	126

(*) 3rd additional extension

Code	Lenght	Top		pack	m ³	Kg
		Alucompact®				
50SUS6A	33 cm			1	0,03	6



MAKI GLASS

Fixed - Depth 100 cm

Leg finish:

White lacquered aluminium (similar to RAL 9016)

Black lacquered aluminium (similar to RAL 9004)

Finish of top:

Gloss glass in colours: extra white, anthracite grey, black, titanium

Matt glass in colours: extra white, anthracite grey, black, titanium

Note:

Important: sizes and finishes marked with (!) require longer production lead time, about 6 weeks from the date of the order.

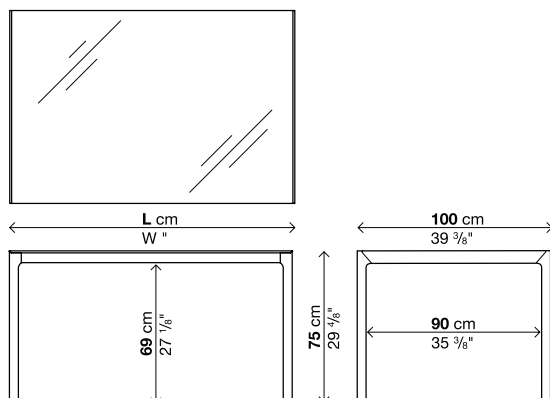
Tables that extend to more than 250 cm have a top that slightly bends, which complies with accepted quality standards.

Reinforced packaging, see inside cover.

Code	Lenght	Legs	Top		pack	m ³	Kg
			Gloss glass	Matt glass			
01MAK66F	139	Lacquered			1	0,39	71
01MAK15F	166	Lacquered			1	0,45	80
01MAK18F	189	Lacquered			1	0,5	88
01MAK17F	209	Lacquered			1	0,55	94
01MAK19F	229 (!)	Lacquered			1	0,6	101
01MAK68F	249 (!)	Lacquered			1	0,65	108
01MAK70F	269 (!)	Lacquered			1	0,69	118
01MAK42F	289 (!)	Lacquered			1	0,74	126

Optionals

Code	Description	pack	m ³	Kg
02RET03	Plastic cable mesh	1	0,07	1
02VER01	Vertebra, opal white methacrylate	1	0,007	1,5
02CPU03	CPU unit, opal white methacrylate	1	0,14	5,5



MAKI GLASS

Fixed - Depth 124 cm

Leg finish:

White lacquered aluminium (similar to RAL 9016)

Black lacquered aluminium (similar to RAL 9004)

Finish of top:

Gloss glass in colours: extra white, anthracite grey, black, titanium

Matt glass in colours: extra white, anthracite grey, black, titanium

Note:

Important: sizes and finishes marked with (!) require longer production lead time, about 6 weeks from the date of the order.

Tables that extend to more than 250 cm have a top that slightly bends, which complies with accepted quality standards.

Reinforced packaging, see inside cover.

Code	Lenght	Legs	Top		pack	m ³	Kg
			Gloss glass	Matt glass			
01MAK72F	209 (!)	Lacquered			1	0,66	117
01MAK74F	229 (!)	Lacquered			1	0,72	126
01MAK76F	277 (!)	Lacquered			1	0,85	148

Optionals

Code	Description	pack	m ³	Kg
02RET04	Plastic cable mesh	1	0,07	1
02VER01	Vertebra, opal white methacrylate	1	0,007	1,5
02CPU04	CPU unit, opal white methacrylate	1	0,14	5,5

