

HOLO

Sizes

Table - Central base support

Prof. 110 cm
D. 43 4/8"

110 **220 x 110 cm**
86 1/8" x 43 2/8" → Fenix-NTM®
→ Solid wood
→ Glass

220 x 110 cm
86 1/8" x 43 2/8" → Wood

250 x 110 cm
93 3/8" x 43 2/8" → Fenix-NTM®
→ Solid wood
→ Glass

250 x 110 cm
93 3/8" x 43 2/8" → Wood

280 x 110 cm
110 2/8" x 43 2/8" → Fenix-NTM®
→ Solid wood
→ Glass

280 x 110 cm
110 2/8" x 43 2/8" → Wood

Table - Double base support

Prof. 120 cm
D. 47 2/8"

120 **320 x 120 cm**
126" x 47 2/8" → Fenix-NTM®

Table - Double base support

Prof. 135 cm
D. 53 1/8"

135 **360 x 135 cm**
141 6/8" x 53 1/8" → Fenix-NTM®

Occasional table

H. 36 cm
D. 141/8"



90 x 71 cm
35 3/8" x 28"

→ Glass

Console table

H. 94 cm
H. 37"



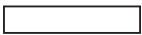
140 x 35 cm
55 1/8" x 13 6/8"

→ Fenix-NTM®
→ Solid wood



160 x 35 cm
63" x 13 6/8"

→ Fenix-NTM®
→ Solid wood

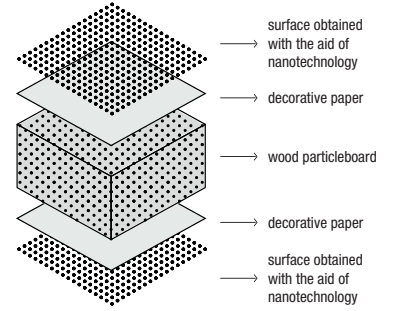
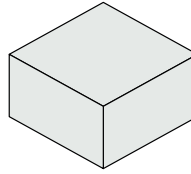


180 x 35 cm
70 7/8" x 13 6/8"

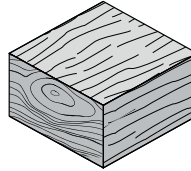
→ Fenix-NTM®
→ Solid wood

Tops

Fenix-NTM® 30 mm thick

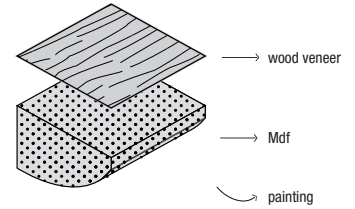
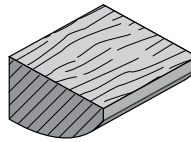


Solid wood 30 mm thick

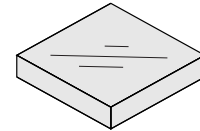
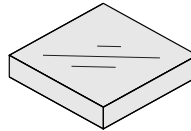


→ solid wood

Wood 30 mm thick (oval top)



Glass 10 mm thick



→ Glass

HOLO

With central base support - Rectangular top

Finish of frame:

White lacquered steel (similar to RAL 9016)
 "Fenix-NTM® London grey" lacquered steel (similar to RAL Design0805005)
 Black lacquered steel (similar to RAL 9004)
 Brass

Finish of top:

Kos white 0032 Fenix-NTM®
 London grey 0718 Fenix-NTM®
 Ingo black 0720 Fenix-NTM®
 European solid oak
 Black stained solid oak
 Solid walnut

Note:

Important: sizes and finishes marked with (!) require longer production lead time, about 6 weeks from the date of the order.

Under-top bar available in the following colours:

- painted base support and laminate top = under-top bar in the same colour as the top
- painted base support and wood top = under-top bar in the same colour as the base support
- brass base support and laminate top = under-top bar in the same colour as the top
- brass base support and wood top = black under-top bar

Reinforced packaging, see inside cover.

Code	Dimensions	Base support	Top			pack	m ²	Kg
			Fenix-NTM®	European oak, Black stained oak	Walnut			
01HOL06	220 x 110 (!)	Lacquered steel				6	0,74	240
		Brass						
01HOL07	250 x 110 (!)	Lacquered steel				6	0,79	247
		Brass						
01HOL08	280 x 110 (!)	Lacquered steel				6	0,82	255
		Brass						

Optionals

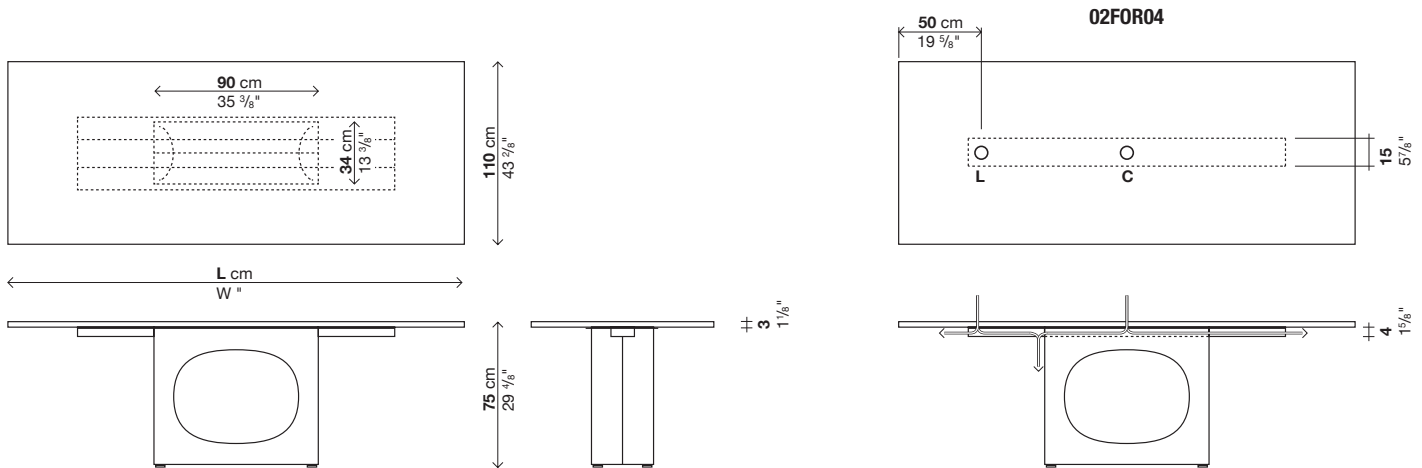
Code	Description	pack	m ²	Kg
02FOR04	Lateral or central cable hole Ø6	-	-	-
02VER01	Vertebra, opal white methacrylate	1	0,007	1,5

Base support only (top not included)*

Code	Description	Base support	pack	m ²	Kg
02HOL06	For tops measuring 220 x 110 (!)	Lacquered	6	0,38	190
		Brass			
02HOL07	For tops measuring 250 x 110 (!)	Lacquered	6	0,39	192
		Brass			
02HOL08	For tops measuring 280 x 110 (!)	Lacquered	6	0,40	194
		Brass			

(*) Important: if the customer is making the table, we recommend maintaining the measurements on the price list in order to guarantee the same requirements of safety and stability of the product. Kristalia is not liable for any technical performance and/or aesthetic results obtained with non-standard materials. Please contact the technical office to request a drawing of the top.

Under-top bar available in the following colours: Painted base support = under-top bar in the same colour as the base support. Brass base support = black under-top bar.



HOLO

With central base support - Oval top

Base finish:

White lacquered steel (similar to Ral 9016)
 Lacquered steel "Fenix-NTM® London grey" (similar to Ral Design0805005)
 Black lacquered steel (similar to Ral 9004)
 Brass

Finish of top:

Wood, european oak effect with white painted edge
 Wood, walnut effect with brown painted edge
 Wood, black oak effect with black painted edge

Note:

Important: sizes and finishes marked with (!) require longer production lead time, about 6 weeks from the date of the order.

Under-top bar available in the following colours:

- painted base support and wood top = under-top bar in the same colour as the base support
- brass base support and wood top = black under-top bar

Reinforced packaging, see inside cover.

Code	Dimensions	Base support	Top		pack	m ³	Kg
				Wood			
01HOL16	220 x 110 (!)	Lacquered steel			6	0,74	240
		Brass					
01HOL17	250 x 110 (!)	Lacquered steel			6	0,79	247
		Brass					
01HOL18	280 x 110 (!)	Lacquered steel			6	0,82	255
		Brass					

Optionals

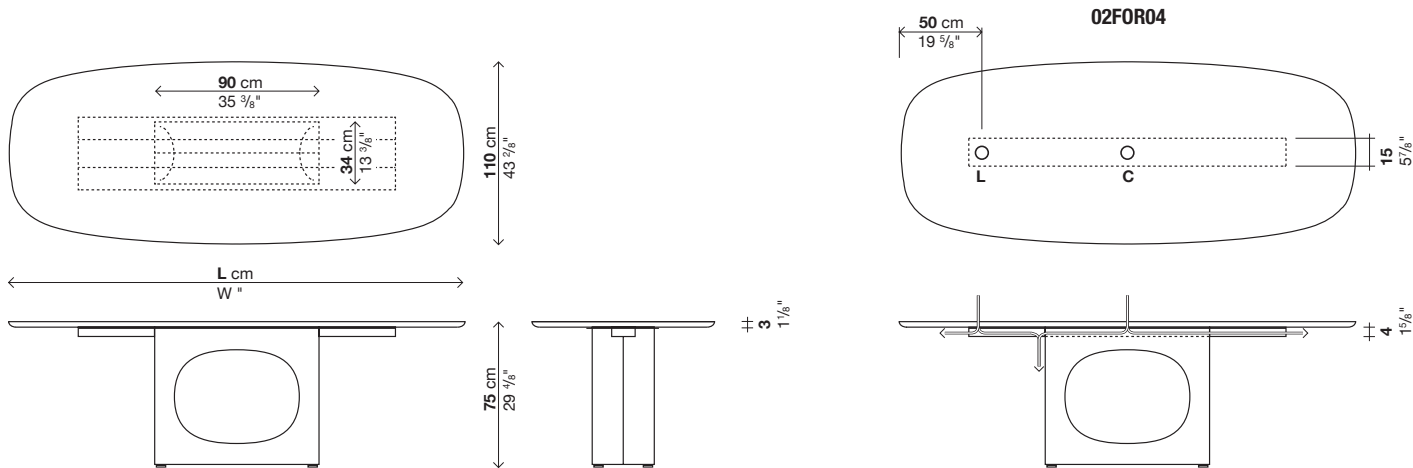
Code	Description	pack	m ³	Kg
02FOR04	Lateral or central cable hole Ø6	-	-	-
02VER01	Vertebra, opal white methacrylate	1	0,007	1,5

Base support only (top not included)*

Code	Description	Base support	pack	m ³	Kg
02HOL06	For tops measuring 220 x 110 (!)	Lacquered	6	0,38	190
		Brass			
02HOL07	For tops measuring 250 x 110 (!)	Lacquered	6	0,39	192
		Brass			
02HOL08	For tops measuring 280 x 110 (!)	Lacquered	6	0,40	194
		Brass			

(*) Important: if the customer is making the table, we recommend maintaining the measurements on the price list in order to guarantee the same requirements of safety and stability of the product. Kristalia is not liable for any technical performance and/or aesthetic results obtained with non-standard materials. Please contact the technical office to request a drawing of the top.

Under-top bar available in the following colours: Painted base support = under-top bar in the same colour as the base support. Brass base support = black under-top bar.



HOLO GLASS

With central base support - Rectangular top

Finish of frame:

White lacquered steel (similar to RAL 9016)
 "Fenix-NTM® London grey" lacquered steel (similar to RAL Design0805005)
 Black lacquered steel (similar to RAL 9004)
 Brass

Finish of top:

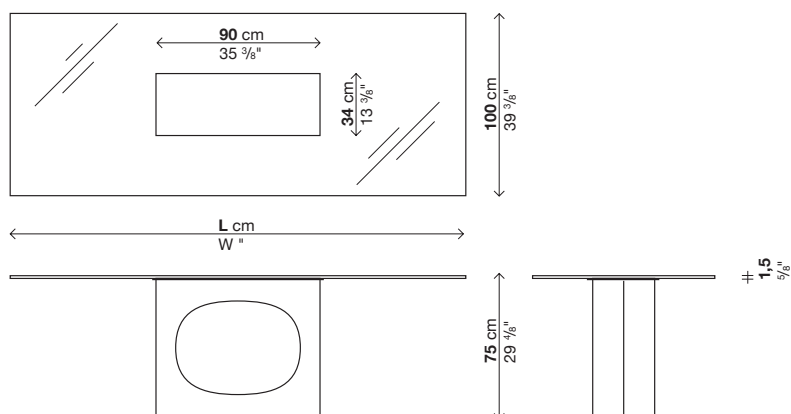
Transparent extra light glass
 Transparent smoked glass

Note:

Important: sizes and finishes marked with (!) require longer production lead time, about 6 weeks from the date of the order.

Reinforced packaging, see inside cover.

Code	Dimensions	Base support	Top		pack	m ²	Kg
			Transparent extra light glass	Transparent smoked glass			
01HOL31	220 x 110 (!)	Lacquered steel			6	0,57	260
		Brass					
01HOL33	250 x 110 (!)	Lacquered steel			6	0,59	270
		Brass					



HOLO

With double base support - Rectangular top

Finish of frame:

White lacquered steel (similar to RAL 9016)
 "Fenix-NTM® London grey" lacquered steel (similar to RAL Design0805005)
 Black lacquered steel (similar to RAL 9004)

Finish of top:

Kos white 0032 Fenix-NTM®
 London grey 0718 Fenix-NTM®
 Ingo black 0720 Fenix-NTM®

Note:

Important: sizes and finishes marked with (!) require longer production lead time, about 6 weeks from the date of the order.

Supply a technical drawing with the required position for the cable hole, making sure that it is positioned in the area shown below.

Each table can have more than one cable hole.

Reinforced packaging, see inside cover.

Code	Dimensions	Base support	Top	
			pack	m ³ Kg
			Fenix-NTM®	
01HOL11	320 x 120 (!)	Lacquered steel	3	0,87 193
01HOL15	360 x 135 (!)	Lacquered steel	3	1 217

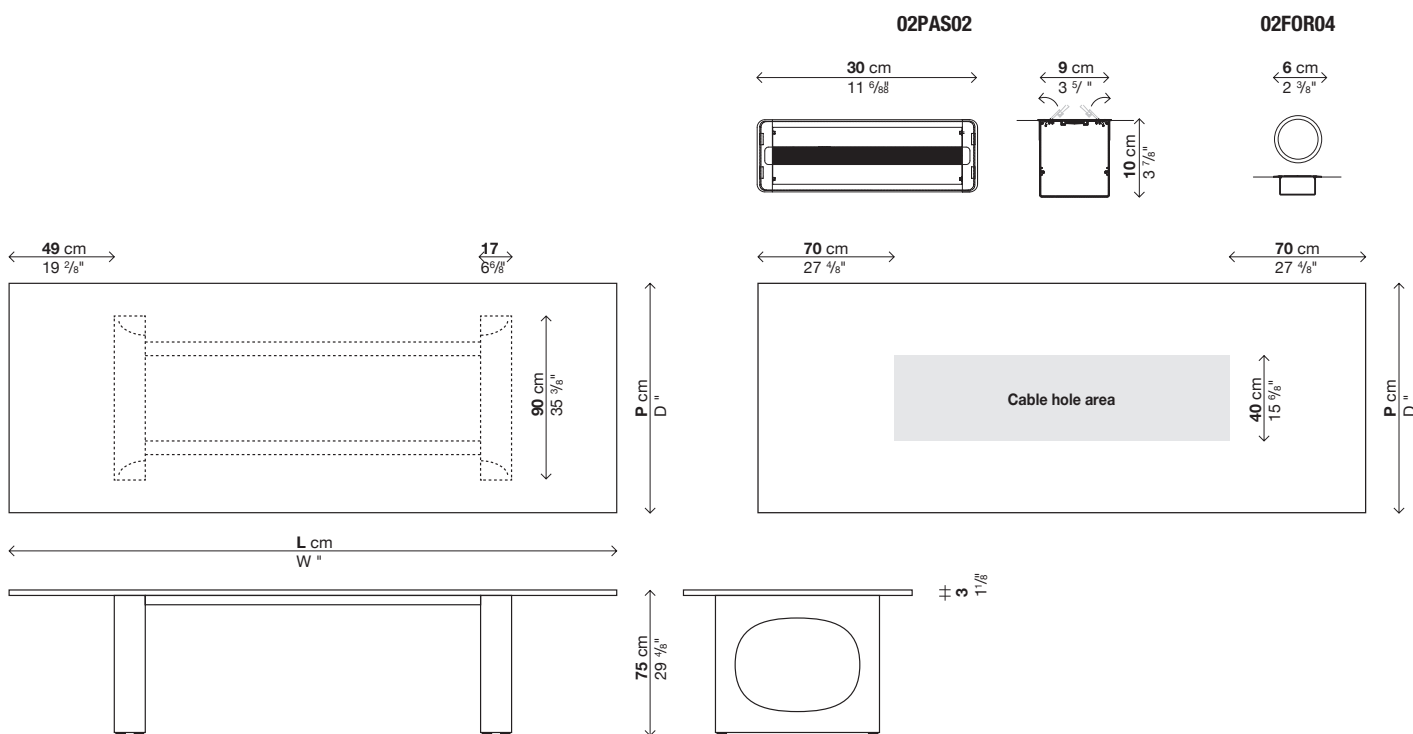
Optionals

Code	Description	pack	m ³	Kg
02PAS02	Rectangular cable duct 30 x 9 cm	-	-	-
02FOR04	Lateral or central cable hole Ø6	-	-	-
02RET01	Plastic cable mesh	1	0,07	1
02VER01	Vertebra, opal white methacrylate	1	0,007	1,5

Base support only (top not included)*

Code	Description	Base	pack	m ³	Kg
02HOL11	For tops measuring 320 x 120 (!)	Lacquered	3	0,48	100
02HOL15	For tops measuring 360 x 135 (!)	Lacquered	3	0,49	105

(* Important: if the customer is making the table, we recommend maintaining the measurements on the price list in order to guarantee the same requirements of safety and stability of the product. Kristalia is not liable for any technical performance and/or aesthetic results obtained with non-standard materials. Please contact the technical office to request a drawing of the top.
 Under-top bars painted in the same colour as the base support.



HOLO

Occasional table

Finish of frame:

White lacquered steel (similar to RAL 9016)
 "Fenix-NTM® London grey" lacquered steel (similar to RAL Design0805005)
 Black lacquered steel (similar to RAL 9004)
 Brass

Finish of top:

Transparent extra light glass
 Transparent smoked glass
 Transparent yellow glass

Note:

Important: sizes and finishes marked with (!) require longer production lead time, about 6 weeks from the date of the order.

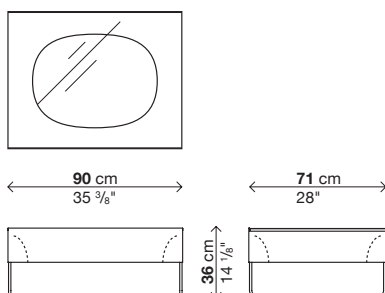
Reinforced packaging, see inside cover.

Code	Dimensions	Base support	Top		pack	m ²	Kg
			Transparent extra light glass	Transparent smoked and yellow glass			
01HOL21	90 x 71 (!)	Lacquered steel			2	0,28	50
		Brass					

Base support only (top not included)*

Code	Description	Base support		pack	m ²	Kg
02HOL21	For tops measuring 90 x 71 (!)	Lacquered		1	0,33	30
		Brass				

(*) Important: if the customer is making the table, we recommend maintaining the measurements on the price list in order to guarantee the same requirements of safety and stability of the product. Kristalia is not liable for any technical performance and/or aesthetic results obtained with non-standard materials. Please contact the technical office to request a drawing of the top.



HOLO

Console table

Finish of frame:

White lacquered steel (similar to RAL 9016)
 "Fenix-NTM® London grey" lacquered steel (similar to RAL Design0805005)
 Black lacquered steel (similar to RAL 9004)

Finish of top:

Kos white 0032 Fenix-NTM®
 London grey 0718 Fenix-NTM®
 Ingo black 0720 Fenix-NTM®
 European solid oak
 Black stained solid oak
 Solid walnut

Note:

Important: sizes and finishes marked with (!) require longer production lead time, about 6 weeks from the date of the order.

Reinforced packaging, see inside cover.

Code	Dimensions	Base support	Top			pack	m ³	Kg
			Fenix-NTM®	European oak, Black stained oak	Walnut			
01HOL50	140 x 35 (!)	Lacquered steel				2	0,28	47
		Brass						
01HOL52	160 x 35 (!)	Lacquered steel				2	0,29	49
		Brass						
01HOL53	180 x 35 (!)	Lacquered steel				2	0,30	51
		Brass						

Base support only (top not included)*

Code	Description	Base support	pack	m ³	Kg
02HOL50	For tops measuring 140 x 35 (!)	Lacquered	1	0,21	30
		Brass			
02HOL52	For tops measuring 160 x 35 (!)	Lacquered	1	0,24	31
		Brass			
02HOL53	For tops measuring 180 x 35 (!)	Lacquered	1	0,26	32
		Brass			

(* Important: if the customer is making the table, we recommend maintaining the measurements on the price list in order to guarantee the same requirements of safety and stability of the product. Kristalia is not liable for any technical performance and/or aesthetic results obtained with non-standard materials. Please contact the technical office to request a drawing of the top.

Under-top plate available in the following colours: Painted base support = under-top bar in the same colour as the base support. Brass base support = black under-top bar.

