

Catifa 46 / 4 Legs

Design by Lievore Altherr Molina, 2004

Art. 0251: 4 leg base and polypropylene shell

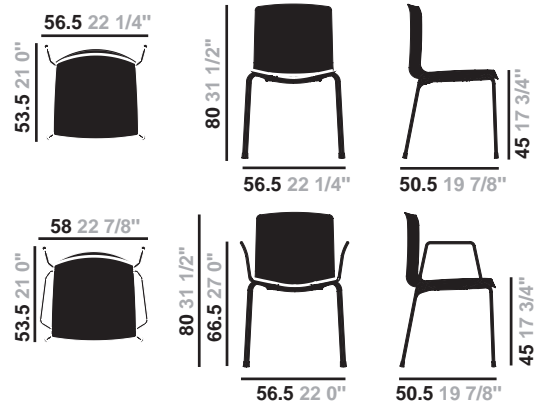
Art. 0254: 4 leg base and polypropylene shell with armrests

Stackable chair with four-leg base frame brushed in chromed painted steel or brushed stainless steel. The shell is available in single-color and bi-color polypropylene or upholstered in two grades of hard leather. Versions with polypropylene shell and painted or brushed stainless steel base can be used outdoor. Polypropylene and steel armrests, are available upon request.



clip.it.easy

Dimensions*



* Files CAD 2D - 3D available for download at www.arper.com

Shipment details

Art. 0251	kg	m ³	lb	ft ³
1 PCS = 2 boxes	7.9	0.243	17.38	8.581
4 PCS = 2 boxes	28	0.304	61.6	10.735
Art. 0254	kg	m ³	lb	ft ³
1 PCS = 3 boxes	10.2	0.271	22.44	9.570
4 PCS = 3 boxes	35.7	0.340	41.7	12.006

Base finishes



Materials

Polypropylene



PO
Polypropylene
one color
10 colors

PO
Polypropylene
two colors
10 colors



Outdoor use only for PO + S03, V12, V41, V37, V39

Carded In Hard leather



CU
Hard leather
grade 1
4 colors

CT
Hard leather
grade 2
13 colors

Stacking options

Art. 0251 with stacking glide

PO: up to 10 pcs. - CU and CT: up to 5 pcs.

PO: up to 20 pcs. - CU and CT: up to 5 pcs.

Catifa 46 / 4 Legs

Design by Lievore Altherr Molina, 2004

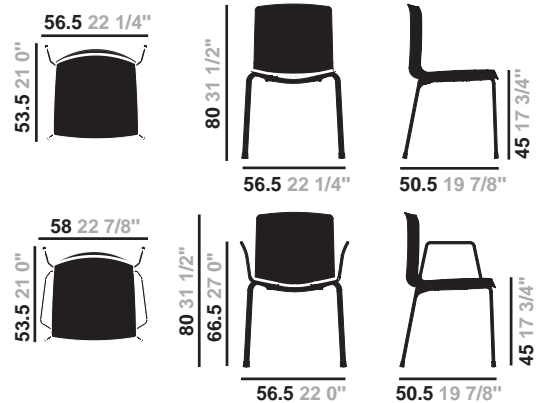
Art. 0253: 4 leg base and upholstered shell
 Art. 0253BV: 4 leg base and upholstered shell with armrests

Stackable chair with four-leg steel frame, available in chromed, brushed or painted version. The shell is available upholstered in leather, faux leather, fabric or customer's fabric. Available with steel armrests, also upholstered.



√clip.it.easy®

Dimensions*



* Files CAD 2D - 3D available for download at www.arper.com

Shipment details

Art. 0253	kg	m ³	lb	ft ³
1 PCS = 2 boxes	9.2	0.265	20.24	9.358
4 PCS = 2 boxes	34	0.360	74.8	12.713
Art. 0253BV				
1 PCS = 3 boxes	11.5	0.293	25.3	10.347
4 PCS = 3 boxes	41.7	0.396	91.74	13.984

Base finishes

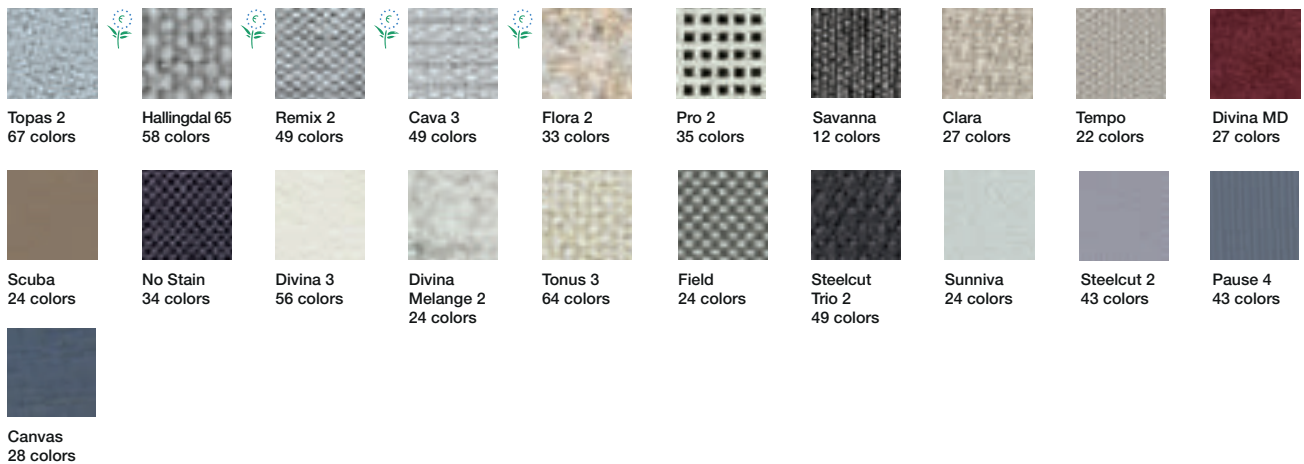


Stacking options

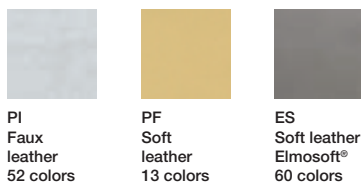
Art. 0253 with stacking glide
 FABRIC: up to 8 pcs. - LEATHER: up to 5 pcs.
 FABRIC: up to 8 pcs. - LEATHER: up to 5 pcs.

Materials

Carded In Fabrics kvadrat and No Stain



Carded In Faux leather, Soft leather and chrome free leather by elmo.



Catifa 46 / 4 Legs

Design by Lievore Altherr Molina, 2004

Graded In Fabrics by

kvadrat

www.kvadrat.dk

camira

www.camirafabrics.com



www.fidivi.com

Gabriel

www.gabriel.dk



www.spradling.eu

 **climatex**®

www.climatex.com

Serge Ferrari

www.en.sergeferrari.com



www.en.sergeferrari.com

**DESIGN
TEX**

www.designtex.com

maharam

www.maharam.com

Visit the company website www.arper.com to view the available fabrics and swatches.

Catifa 46 / 4 Legs

Design by Lievore Altherr Molina, 2004

Art. 0310: 4 leg base and shell with upholstered cover

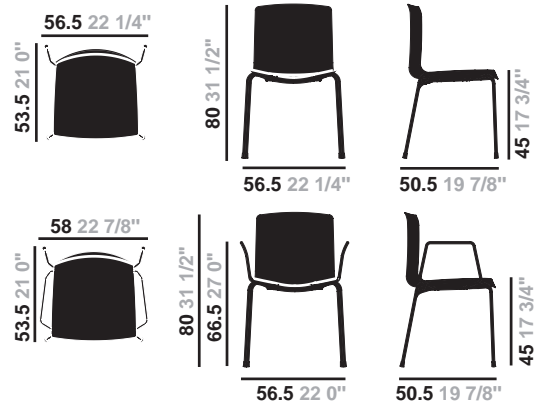
Art. 0310BV: 4 leg base and shell with upholstered cover and with armrests

Stackable chair with four-leg steel frame, available in chromed, brushed or painted version. The shell is upholstered with a removable non-washable cover in leather, faux leather, fabric or customer's fabric. Available with steel armrests, also upholstered.



clip.it.easy

Dimensions*



* Files CAD 2D - 3D available for download at www.arper.com

Shipment details

	kg	m ³	lb	ft ³
Art. 0310				
1 PCS = 2 boxes	9.2	0.265	20.24	9.358
4 PCS = 2 boxes	34	0.360	74.8	12.713
Art. 0310BV				
1 PCS = 3 boxes	11.5	0.293	25.3	10.347
4 PCS = 3 boxes	41.7	0.396	91.74	13.984

Base finishes

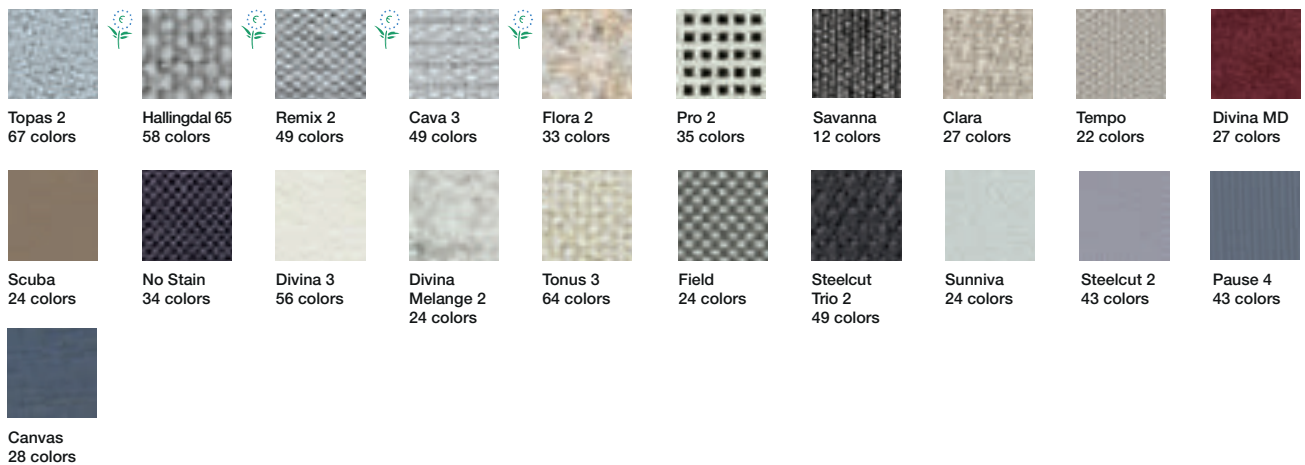


Stacking options

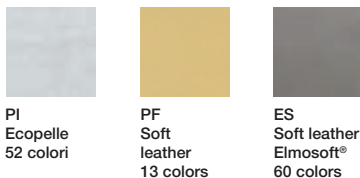
Art. 0310 with stacking glide
 FABRIC: up to 8 pcs. - LEATHER: up to 5 pcs.
 FABRIC: up to 8 pcs. - LEATHER: up to 5 pcs.

Materials

Carded In Fabrics kvadrat and No Stain



Carded In Faux leather, Soft leather and chrome free leather by elmo.



Catifa 46 / 4 Legs

Design by Lievore Altherr Molina, 2004

Graded In Fabrics by

kvadrat

www.kvadrat.dk

camira

www.camirafabrics.com



www.fidivi.com

Gabriel

www.gabriel.dk



www.spradling.eu

 **climatex**[®]

www.climatex.com

Serge Ferrari

www.en.sergeferrari.com



www.en.sergeferrari.com

**DESIGN
TEX**

www.designtex.com

maharam

www.maharam.com

Visit the company website www.arper.com to view the available fabrics and swatches.

Catifa 46 / 4 Legs

Design by Lievore Altherr Molina, 20

Art. 0351: 4 leg base and wood shell

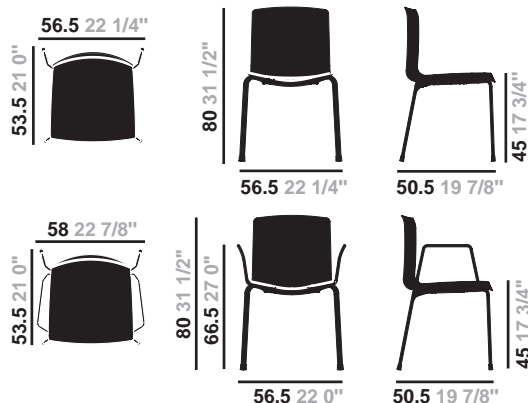
Art. 0351BV: 4 leg base and wood shell with armrests

Stackable chair with four-leg base frame, available in chromed or painted steel and brushed stainless steel. The shell is available in wood, three finishes (natural oak, bleached oak, wengé). Optional steel armrests are available upon request.



clip.it.easy

Dimensions*



* Files CAD 2D - 3D available for download at www.arper.com

Shipment details

Art. 0351	kg	m ³	lb	ft ³
1 PCS = 2 boxes	7.38	0.241	16.23	8.510
4 PCS = 2 boxes	25.9	0.316	56.98	11.159
Art. 0351BV				
1 PCS = 3 boxes	9.68	0.269	21.29	9.499
4 PCS = 3 boxes	33.6	0.352	73.92	12.430

Base finishes



CRO
Chrome
finish
steel



S03
Brushed
stainless
steel



V12
White
lacquered
Matt



V41
Grey
lacquered
Semi gloss



V37
Green
lacquered
Glossy



V39
Black
lacquered
Matt

Stacking options

Art. 0351 with stacking glide

Up to 10 pcs.

Up to 10 pcs.

Materials

Wood



L
Wood
3 colors

Catifa 46 / 4 Legs

Design by Lievore Altherr Molina, 2004

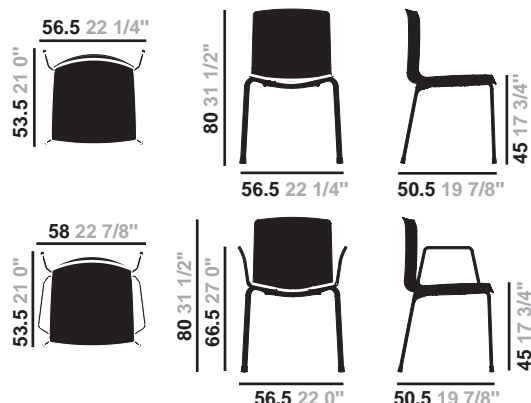
Art. 0458: 4 leg base and front-face upholstered shell
 Art. 0458BV: 4 leg base and front-face upholstered shell with armrests

Stackable chair with four-leg base frame, available in chromed or painted steel and brushed stainless steel. The shell is available in polypropylene with front-face upholstery in leather, faux leather, fabric or customer's fabric. Available with steel armrests, also upholstered.



clip.it.easy

Dimensions*



* Files CAD 2D - 3D available for download at www.arper.com

Shipment details

Art. 0458	kg	m ³	lb	ft ³
1 PCS = 2 boxes	10.6	0.272	23.32	9.605
4 PCS = 2 boxes	35.4	0.368	77.968	12.995
Art. 0458BV				
1 PCS = 3 boxes	12.90	0.300	28.38	10.594
4 PCS = 3 boxes	43.12	0.404	94.864	14.267

Base finishes



Stacking options

Art. 0458 with stacking glide
 FABRIC: up to 8 pcs. - LEATHER: up to 5 pcs.
 FABRIC: up to 8 pcs. - LEATHER: up to 5 pcs.

Materials

Polypropylene



PO
 Polypropylene
 10 colors

Carded In Fabrics **kvadrat** and **No Stain**



Catifa 46 / 4 Legs

Design by Lievore Altherr Molina, 2004

Carded In Faux leather, Soft leather and Chrome Free leather **elmo**.



PI
Faux
leather
52 colors



PF
Soft
leather
13 colors



ES
Soft leather
Elmosoft®
60 colors

Graded In Fabrics by

kvadrat

www.kvadrat.dk

camira

www.camirafabrics.com



www.fidivi.com

Gabriel

www.gabriel.dk



www.spradling.eu

 **climatex**®

www.climatex.com

Serge Ferrari

www.en.sergeferrari.com



www.en.sergeferrari.com

**DESIGN
TEX**

www.designtex.com

maharam

www.maharam.com

Visit the company website www.arper.com to view the available fabrics and swatches.

arper

F +39 0422 791800

T +39 0422 7918

www.arper.com

Catifa 46 / 4 Legs

Design by Lievore Altherr Molina, 2004

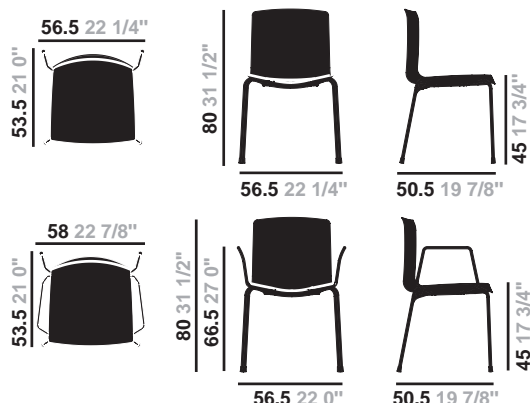
Art. 0458: 4 leg base and seat surface upholstered
 Art. 0458BV: 4 leg base and seat surface upholstered
 and with armrests

Stackable chair with four-leg steel frame, available in chromed or painted steel and brushed stainless steel. The shell is available in polypropylene with cushion upholstered in leather, faux leather, fabric or customer's fabric applied to the seat surface. Available with steel armrests, also upholstered.



clip.it.easy

Dimensions*



* Files CAD 2D - 3D available for download at www.arper.com

Shipment details

Art.	kg	m ³	lb	ft ³
Art. 0458				
1 PCS = 2 boxes	7.9	0.243	17.38	8.581
4 PCS = 2 boxes	28	0.304	61.6	10.735
Art. 0458BV				
1 PCS = 3 boxes	12.90	0.300	28.38	10.594
4 PCS = 3 boxes	43.12	0.404	94.864	14.267

Base finishes



Materials

Polypropylene



Stacking options

Art. 0458 with stacking glide
 FABRIC: up to 8 pcs. - LEATHER: up to 5 pcs.
 FABRIC: up to 8 pcs. - LEATHER: up to 5 pcs.

Carded In Fabrics **kvadrat** and **No Stain**



Catifa 46 / 4 Legs

Design by Lievore Altherr Molina, 2004

Carded In Faux leather, Soft leather and Chrome Free leather **elmo**.



PI
Faux
leather
52 colors



PF
Soft
leather
13 colors



ES
Soft leather
Elmosoft®
60 colors

Graded In Fabrics by

kvadrat

www.kvadrat.dk

camira

www.camirafabrics.com



www.fidivi.com

Gabriel

www.gabriel.dk



www.spradling.eu

 **climatex**®

www.climatex.com

Serge Ferrari

www.en.sergeferrari.com



www.en.sergeferrari.com

**DESIGN
TEX**

www.designtex.com

maharam

www.maharam.com

Visit the company website www.arper.com to view the available fabrics and swatches.

arper

F +39 0422 791800

T +39 0422 7918

www.arper.com

Catifa 46 / 4 Legs

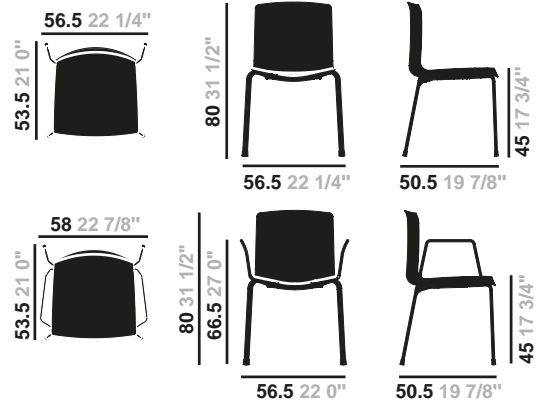
Design by Lievore Altherr Molina, 2014

Art. 0325 4 leg base, wood shell and front-face upholstery
 Art. 0325BV: 4 leg base, wood shell and front-face upholstery with armrests

Chair with four-leg steel frame, available in chromed steel, stainless steel or powdercoated version. Wood shell with front upholstery in leather, faux leather, fabric or customer's own material. Steel armrests, also upholstered, are available upon request.



Dimensions*



* Files CAD 2D - 3D available for download at www.arper.com

Shipment details

Art. 0325	kg	m ³	lb	ft ³
1 PCS = 2 boxes	10.6	0.272	23.32	9.605
4 PCS = 2 boxes	35.44	0.368	77.968	12.995

clip.it.easy

Base finishes



Stacking options

Art. 0325 with stacking glide
 FABRIC: up to 8 pcs. - LEATHER: up to 5 pcs.
 FABRIC: up to 8 pcs. - LEATHER: up to 5 pcs.

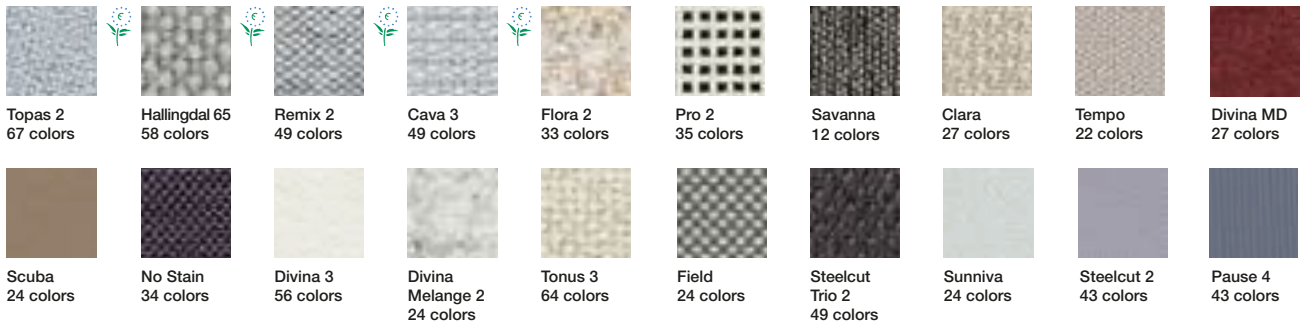
Materials

Wood



L
Wood
3 colors

Carded In Fabrics kvadrat and No Stain



Canvas
28 colors

Catifa 46 / 4 Legs

Design by Lievore Altherr Molina, 2014

Graded In Fabrics by

kvadrat

www.kvadrat.dk

camira

www.camirafabrics.com



www.fidivi.com

Gabriel

www.gabriel.dk



www.spradling.eu

 **climatex**

www.climatex.com

Serge Ferrari

www.en.sergeferrari.com



www.en.sergeferrari.com

**DESIGN
TEX**

www.designtex.com

maharam

www.maharam.com

Visit the company website www.arper.com to view the available fabrics and swatches.

Catifa 46 / 4 Legs

Design by Lievore Altherr Molina, 2004

Options and accessories



1



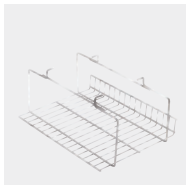
2



3



4



5



6



7



8



9



10



11



12



13



14



15



16



17



18

- | | |
|--|-------------------------------------|
| 1 Armrest with polypropylene one color pad | 10 Stackability |
| 2 Armrest with upholstery pad | 11 Stacking protection pad |
| 3 Cushion | 12 Stacking protection pad and link |
| 4 Set of glides | 13 Stacking protection pad |
| 5 Basket | 14 Stacking protection pad and link |
| 6 Mobile Link | 15 Cover 1 |
| 7 Mobile Link | 16 Cover 2 |
| 8 Stacking glides | 17 Cover 3 |
| 9 Trolley | 18 Cover 4 |

Catifa 46 / 4 Legs

Design by Lievore Altherr Molina, 2004

Fire retardant test

POLYPROPYLENE FIRE RETARDANT:
 - color PO101
 - colors PO102, PO103, PO106 qty. min. 300 pcs.

UK DOMESTIC:
 BS5852-1 Sch.5 Part1: Hard leather grade 1 and 2.
 BS5852/90 Sez.5 cigarette match: Polypropylene



Resistance test

Art.0251 and 0251BV

CHROMED/PAINTED:
 ANSI-BIFMA X5.1-2002 11
 ANSI-BIFMA X5.1-2002 16
 ANSI-BIFMA X5.1-2002 6

EN 1022/05	
EN 1728/2000 - EN 15373:2007	6.2.1 3°
EN 1728/2000 - EN 15373:2007	6.2.2 3°
EN 1728/2000 - EN 15373:2007	6.7 3°
EN 1728/2000 - EN 15373:2007	6.12 3°
EN 1728/2000 - EN 15373:2007	6.15 3°
EN 1728/2000 - EN 15373:2007	6.16 3°

INOX:
 EN 1728/2000 - EN 15373:2007 6.2.1 3°
 EN 1728/2000 - EN 15373:2007 6.2.2 3°
 EN 1728/2000 - EN 15373:2007 6.7 3°
 EN 1728/2000 - EN 15373:2007 6.8 3°

UK CONTRACT:
 BS7176-07 Medium Hazard: Fabric (Flora 2, Pro, Tonus 3, Topas 2, Hallingdal 65). Elmosoft, Faux leather. BS7176-07 Low Hazard: Soft leather. Faux leather. Fabric (Orange 2, Divina 3, Divina Melange 2).

UK DOMESTIC:
 BS5852-1 Sch.4-5 Part1: Faux leather. Soft leather, Elmosoft. Fabric (Flora 2, Divina 3, Divina Melange 2, Hallingdal 65, Tonus 3, Topas 2). BS5852-1 Sch. 4 Part1: Fabric (Pro 2). USA Technical Bulletin 117: Fabric. Faux leather.



Art.0253 and 0253BV

CHROMED/PAINTED:
 EN 1022/05

EN 1728/2000 - EN 15373:2007	6.2.1 3°
EN 1728/2000 - EN 15373:2007	6.2.2 3°
EN 1728/2000 - EN 15373:2007	6.7 3°
EN 1728/2000 - EN 15373:2007	6.12 3°
EN 1728/2000 - EN 15373:2007	6.15 3°
EN 1728/2000 - EN 15373:2007	6.16 3°
INOX:	
EN 1728/2000 - EN 15373:2007	6.2.1 3°
EN 1728/2000 - EN 15373:2007	6.2.2 3°
EN 1728/2000 - EN 15373:2007	6.7 3°
EN 1728/2000 - EN 15373:2007	6.8 3°

UK DOMESTIC:
 BS5852/90 Sez.5 cigarette match



Art.0351 and 0351BV

CHROMED/PAINTED:
 EN 1022/05

EN 1728/2000 - EN 15373:2007	6.2.1 3°
EN 1728/2000 - EN 15373:2007	6.2.2 3°
EN 1728/2000 - EN 15373:2007	6.7 3°
EN 1728/2000 - EN 15373:2007	6.8 3°
EN 1728/2000 - EN 15373:2007	6.12 3°
EN 1728/2000 - EN 15373:2007	6.15 3°
EN 1728/2000 - EN 15373:2007	6.16 3°

UK CONTRACT:
 BS7176-07 Medium Hazard: Fabric (Flora 2, Pro, Tonus 3, Topas 2, Hallingdal 65). Elmosoft, Faux leather. BS7176-07 Low Hazard: Soft leather. Faux leather. Fabric (Orange 2, Divina 3, Divina Melange 2).

UK DOMESTIC:
 BS5852-1 Sch.4-5 Part1: Faux leather. Soft leather, Elmosoft. Fabric (Flora 2, Divina 3, Divina Melange 2, Hallingdal 65, Tonus 3, Topas 2). BS5852-1 Sch. 4 Part1: Fabric (Pro 2). USA Technical Bulletin 117: Fabric. Faux leather.



Art.0458 and 0458BV

CHROMED/PAINTED:

EN 1728/2000 6.12	3°
EN 1728/2000 6.13	4°
EN 1728/2000 - EN 15373:2007 6.7	3°
EN 1728/2000 - EN 15373:2007 6.12	3°

UK CONTRACT:
 BS7176-07 Medium Hazard: Fabric (Flora 2, Pro, Tonus 3, Topas 2, Hallingdal 65). Elmosoft, Faux leather. BS7176-07 Low Hazard: Soft leather. Faux leather. Fabric (Orange 2, Divina 3, Divina Melange 2).

UK DOMESTIC:
 BS5852-1 Sch.4-5 Part1: Faux leather. Soft leather, Elmosoft. Fabric (Flora 2, Divina 3, Divina Melange 2, Hallingdal 65, Tonus 3, Topas 2). BS5852-1 Sch. 4 Part1: Fabric (Pro 2). USA Technical Bulletin 117: Fabric. Faux leather.



Art.0450 and 0450BV

CHROMED/PAINTED:
 ANSI-BIFMA X5.1-2002 11
 ANSI-BIFMA X5.1-2002 16
 ANSI-BIFMA X5.1-2002 6

EN 1022/05	
EN 1728/2000 - EN 15373:2007	6.2.1 3°
EN 1728/2000 - EN 15373:2007	6.2.2 3°
EN 1728/2000 - EN 15373:2007	6.7 3°
EN 1728/2000 - EN 15373:2007	6.12 3°
EN 1728/2000 - EN 15373:2007	6.15 3°
EN 1728/2000 - EN 15373:2007	6.16 3°
INOX:	
EN 1728/2000 - EN 15373:2007	6.2.1 3°
EN 1728/2000 - EN 15373:2007	6.2.2 3°
EN 1728/2000 - EN 15373:2007	6.7 3°
EN 1728/2000 - EN 15373:2007	6.8 3°



arper

F +39 0422 791800

www.arper.com T +39 0422 7918

* For more information on product's certification and environment documents visit www.arper.com or contact us at environment@arper.com

Catifa 46 / 4 Legs

Design by Lievore Altherr Molina, 2004

Fire retardant test

Resistance test



UK CONTRACT:
BS7176-07 Medium Hazard: Fabric (Flora 2, Pro, Tonus 3, Topas 2, Hallingdal 65). Elmosoft, Faux leather. BS7176-07 Low Hazard: Soft leather.
Faux leather. Fabric (Orange 2, Divina 3, Divina Melange 2).
UK DOMESTIC:
BS5852-1 Sch.4-5 Part1: Faux leather. Soft leather, Elmosoft. Fabric (Flora 2, Divina 3, Divina Melange 2, Hallingdal 65, Tonus 3, Topas 2). BS5852-1 Sch. 4 Part1: Fabric (Pro 2).
USA Technical Bulletin 117: Fabric. Faux leather.



Art.0310 and 0310BV

CHROMED/PAINTED:
EN 1022/05

EN 1728/2000 - EN 15373:2007	6.2.1	3°
EN 1728/2000 - EN 15373:2007	6.2.2	3°
EN 1728/2000 - EN 15373:2007	6.7	3°
EN 1728/2000 - EN 15373:2007	6.12	3°
EN 1728/2000 - EN 15373:2007	6.15	3°
EN 1728/2000 - EN 15373:2007	6.16	3°
INOX:		
EN 1728/2000 - EN 15373:2007	6.2.1	3°
EN 1728/2000 - EN 15373:2007	6.2.2	3°
EN 1728/2000 - EN 15373:2007	6.7	3°
EN 1728/2000 - EN 15373:2007	6.8	3°



arper

F +39 0422 791800

T +39 0422 7918

www.arper.com

* For more information on product's certification and environment documents visit www.arper.com or contact us at environment@arper.com