

Zinta / Waiting

Design by Lievore Altherr Molina, 2014

Modular seat bench components with oak-effect veneered plywood or laminate shell, available in several colors. Steel frame and aluminum legs are both lacquered in anthracite color. The shell is upholstered in fabric, customer's fabric, leather or faux leather pads placed on the seat and backrest. Modules can be combined to create linear or L-shaped arrangements. Pads for angular compositions to be ordered separately.



Shipment Details

Art. 4526 / 4501 / 4500 / 4537 / 4559 / 4548	1 pz = 1 box	kg 75 / m ³ 1.06		lb 165.3 / ft ³ 37.292
Art. 4527 / 4503 / 4502 / 4538 / 4560 / 4549	1 pz = 1 box	kg 86 / m ³ 1.32		lb 186.6 / ft ³ 46.615
Art. 4528 / 4505 / 4504 / 4539 / 4561 / 4550	1 pz = 1 box	kg 59 / m ³ 0.84		lb 130.1 / ft ³ 29.664
Art. 4529 / 4507 / 4506 / 4540 / 4562 / 4551	1 pz = 1 box	kg 59 / m ³ 0.84		lb 130.1 / ft ³ 29.664
Art. 4530 / 4509 / 4508 / 4541 / 4563 / 4552	1 pz = 1 box	kg 53 / m ³ 1.1		lb 116.8 / ft ³ 38.846
Art. 4531 / 4511 / 4510 / 4542 / 4564 / 4553	1 pz = 1 box	kg 53 / m ³ 1.1		lb 116.8 / ft ³ 38.846
Art. 4532 / 4513 / 4512 / 4543 / 4565 / 4554	1 pz = 1 box	kg 52 / m ³ 0.91		lb 114.6 / ft ³ 32.136
Art. 4533 / 4515 / 4514 / 4544 / 4566 / 4555	1 pz = 1 box	kg 52 / m ³ 0.91		lb 114.6 / ft ³ 32.136
Art. 4534 / 4517 / 4516 / 4545 / 4567 / 4556	1 pz = 1 box	kg 62 / m ³ 1.18		lb 136.7 / ft ³ 41.671
Art. 4535 / 4519 / 4518 / 4546 / 4568 / 4557	1 pz = 1 box	kg 62 / m ³ 1.18		lb 136.7 / ft ³ 41.671
Art. 4536 / 4521 / 4520 / 4547 / 4569 / 4558	1 pz = 1 box	kg 61 / m ³ 0.78		lb 134.5 / ft ³ 27.545

Base finishes



V44
Anthracite
lacquered

Shell finishes



L0022
Natural oak
wood



L0023
Teak effect
wood



L0006
Black wood



LM1
White
laminate



LM22
Oak effect
laminate

Materials

Carded In fabrics by **kvadrat**



Topas 2



Hallingdal 65



Remix 2



Cava 3



Pro 2



Clara 2



Tempo



Divina MD



Scuba



No Stain



Divina 3



Divina
Melange 2



Tonus 3



Field



Steelcut Trio 2



Sunniva



Steelcut 2



Pause 4



Canvas



Savanna

Zinta / Waiting

Design by Lievore Altherr Molina, 2014

Carded In Soft leather, Faux leather and Chrome Free leather by **elmo**.



PI
Faux
leather



PF
Soft leather



ES
Soft leather
Elmosoft®

Graded In fabrics by

kvadrat

www.kvadrat.dk

camira

www.camirafabrics.com



www.fidivi.com

Gabriel

www.gabriel.dk



www.spradling.eu

climatex®

www.climatex.com

Serge Ferrari

www.en.sergeferrari.com



www.winter-creation.com

**DESIGN
TEX**

www.designtex.com

maharam

www.maharam.com

Visit the company website www.arper.com to view the available fabrics and swatches

Accessories



1



2


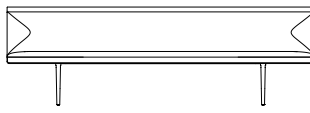
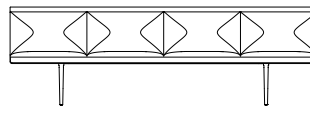
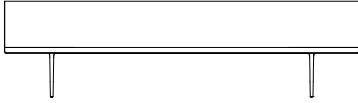
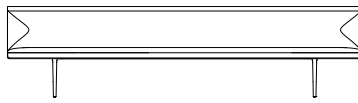
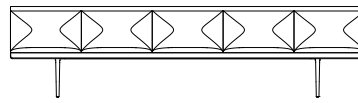
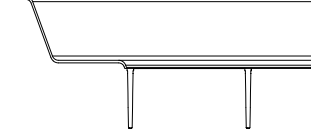
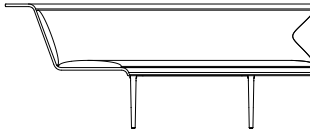
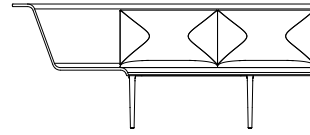
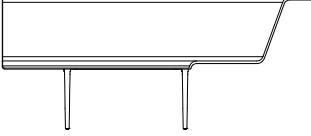
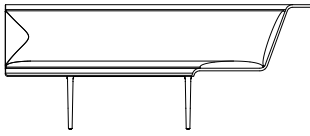
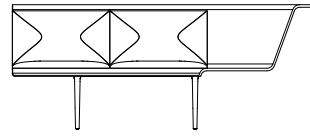
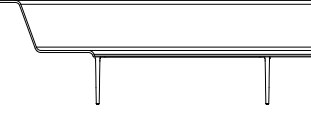
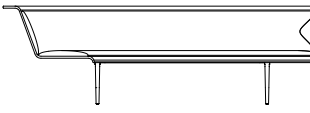
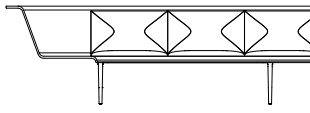

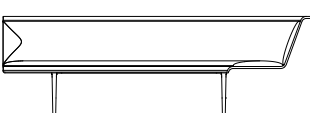
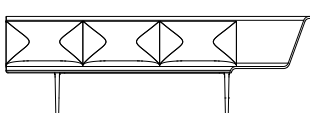
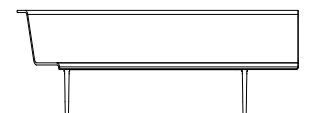
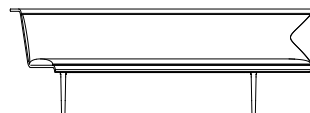
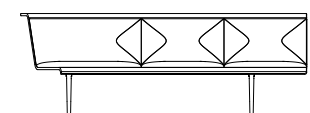
1 Back pad 90° angular

2 Seat pad 90° angular

Zinta / Waiting

Design by Lievore Altherr Molina, 2014

MODULAR SYSTEM WITH WOOD SHELL VERSION

BENCH	1 SEAT PAD + 1 BACK PAD	MODULAR SEAT PAD + MODULAR BACK PAD
 Art. 4526	 Art. 4501	 Art. 4500
 Art. 4527	 Art. 4503	 Art. 4502
 Art. 4528	 Art. 4504	 Art. 4505
 Art. 4529	 Art. 4507	 Art. 4506
 Art. 4530	 Art. 4509	 Art. 4508
 Art. 4531	 Art. 4511	 Art. 4510
 Art. 4532	 Art. 4513	 Art. 4512

arper

F +39 0422 791800

T +39 0422 7918

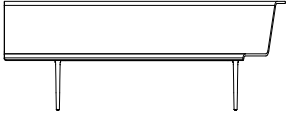

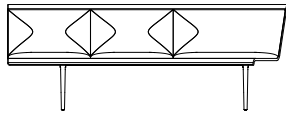


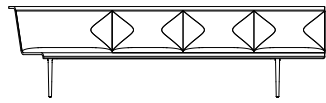
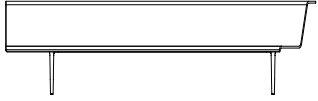
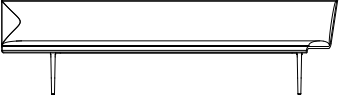
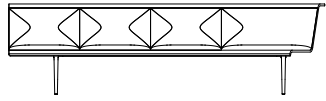
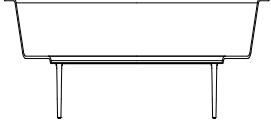
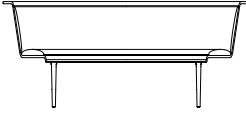
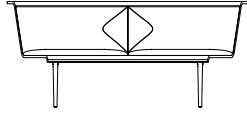
www.arper.com

* Dimensions and files CAD 2D - 3D available for download at www.arper.com

Zinta / Waiting

Design by Lievore Altherr Molina, 2014

MODULAR SYSTEM WITH WOOD SHELL VERSION

BENCH	1 SEAT PAD + 1 BACK PAD	MODULAR SEAT PAD + MODULAR BACK PAD
 <p>Art. 4526</p>	 <p>Art. 4501</p>	 <p>Art. 4500</p>
 <p>Art. 4527</p>	 <p>Art. 4503</p>	 <p>Art. 4502</p>
 <p>Art. 4528</p>	 <p>Art. 4504</p>	 <p>Art. 4505</p>
 <p>Art. 4529</p>	 <p>Art. 4507</p>	 <p>Art. 4506</p>
<p>Art. 4530</p>	<p>Art. 4509</p>	<p>Art. 4508</p>
<p>Art. 4531</p>	<p>Art. 4511</p>	<p>Art. 4510</p>
<p>Art. 4532</p>	<p>Art. 4513</p>	<p>Art. 4512</p>

arper

F +39 0422 791800

T +39 0422 7918


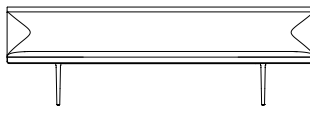
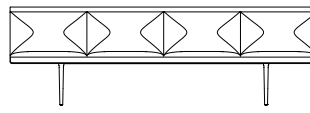
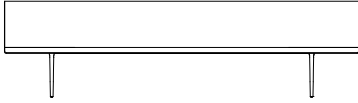
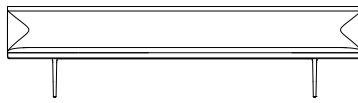
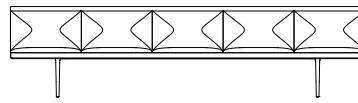
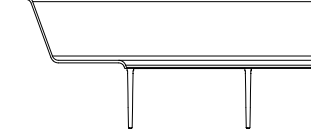
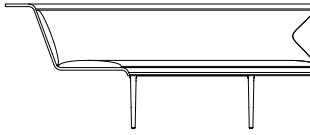
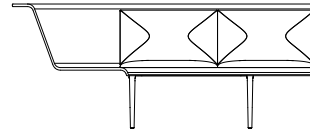
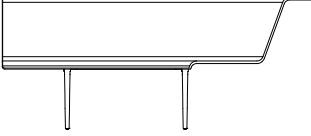
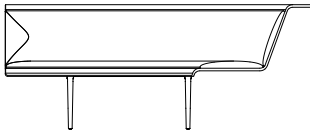
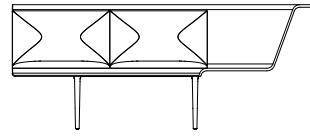
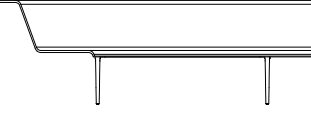
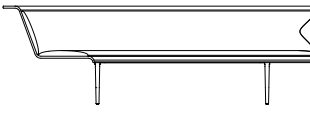
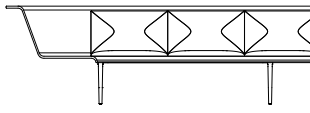

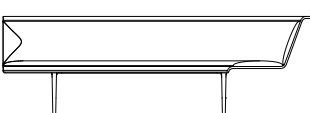
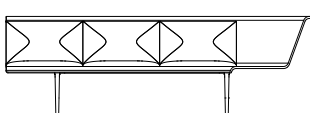
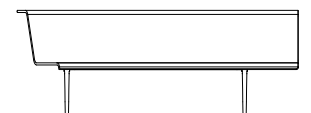
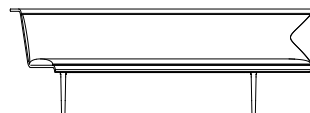
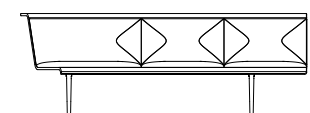
www.arper.com

* Dimensions and files CAD 2D - 3D available for download at www.arper.com

Zinta / Waiting

Design by Lievore Altherr Molina, 2014

MODULAR SYSTEM WITH LAMINATE SHELL

BENCH	1 SEAT PAD + 1 BACK PAD	MODULAR SEAT PAD + MODULAR BACK PAD
 <p>Art. 4526</p>	 <p>Art. 4501</p>	 <p>Art. 4500</p>
 <p>Art. 4527</p>	 <p>Art. 4503</p>	 <p>Art. 4502</p>
 <p>Art. 4528</p>	 <p>Art. 4504</p>	 <p>Art. 4505</p>
 <p>Art. 4529</p>	 <p>Art. 4507</p>	 <p>Art. 4506</p>
 <p>Art. 4530</p>	 <p>Art. 4509</p>	 <p>Art. 4508</p>
 <p>Art. 4531</p>	 <p>Art. 4511</p>	 <p>Art. 4510</p>
 <p>Art. 4532</p>	 <p>Art. 4513</p>	 <p>Art. 4512</p>

arper

F +39 0422 791800

T +39 0422 7918

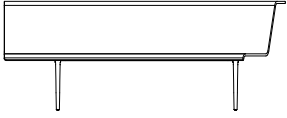

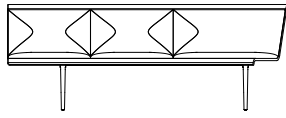


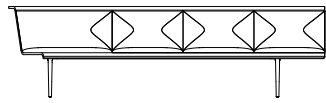
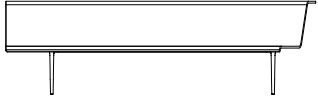
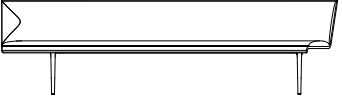
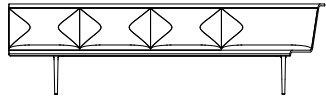
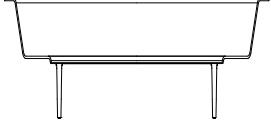
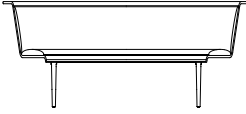
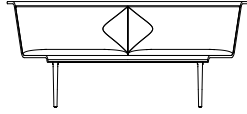
www.arper.com

* Dimensions and files CAD 2D - 3D available for download at www.arper.com

Zinta / Waiting

Design by Lievore Altherr Molina, 2014

MODULAR SYSTEM WITH LAMINATE SHELL

BENCH	1 SEAT PAD + 1 BACK PAD	MODULAR SEAT PAD + MODULAR BACK PAD
 <p>Art. 4526</p>	 <p>Art. 4501</p>	 <p>Art. 4500</p>
 <p>Art. 4527</p>	 <p>Art. 4503</p>	 <p>Art. 4502</p>
 <p>Art. 4528</p>	 <p>Art. 4504</p>	 <p>Art. 4505</p>
 <p>Art. 4529</p>	 <p>Art. 4507</p>	 <p>Art. 4506</p>
<p>Art. 4530</p>	<p>Art. 4509</p>	<p>Art. 4508</p>
<p>Art. 4531</p>	<p>Art. 4511</p>	<p>Art. 4510</p>
<p>Art. 4532</p>	<p>Art. 4513</p>	<p>Art. 4512</p>

arper

F +39 0422 791800

T +39 0422 7918

www.arper.com

* Dimensions and files CAD 2D - 3D available for download at www.arper.com