

# Kinesit

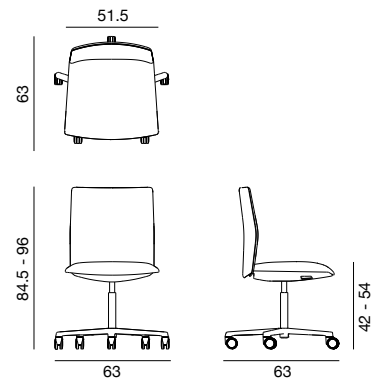
Design Lievore Altherr Molina, 2014

## ART. 4805

Chair with polished or lacquered aluminum 5 way swivel base on castor, the same color as the base (castors Type H hard for carpets, castors Type W soft for wooden, marble and tiles floor), fitted with gas-lift mechanism for height adjustment. Exposed backshell and seat with built-in self-tensioning weight response mechanism, backrest with 3-position recline, adjustable lumbar support breathing up to 60 mm. Low backrest with front face upholstery in nylon mesh in the same color as the backshell (black or white). Seat upholstered in leather, customer's leather, faux leather, fabric or customer's fabric. Fixed armrests made in nylon with fiber glass, in the same color as the backshell, are available upon request and with a surcharge.



## Dimensions



Backrest: H 41 cm  
Seat: H 42-54 cm  
L 51.5 cm  
D 44 cm

## Shipment details:

Packaging: 1 pz = 1 box - kg 21/m<sup>3</sup>0,401  
Packaging dimensions: 65 x 65 x 95 cm  
Net weight: 16,5 kg  
Gross weight: 21 kg

## Backrest

Mesh front face upholstery.  
Backrest internal frame (88 % nylon with fiber glass) + adjustable lumbar support function (10% polypropylene) + fixing plate (2 % metal). Backrest support mesh: 99% PES + 1% EA, white or black. Outer backrest: white polypropylene PA00001 or black PA00002. Seat/backrest fixing plate: lacquered steel.



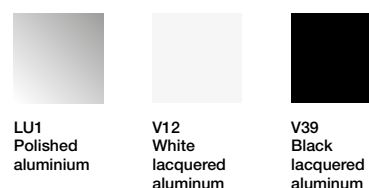
## Seat

Seat upholstery: fabric / leather / faux leather / COL / COM  
Seat base: Die-cast aluminum EN 1676  
Internal seat film: molded polypropylene  
Seat padding: cold-foamed polyurethane  
Self-Tensioning Weight Response Mechanism: 96,72 % metal + 3,28 % plastic



## Base

Type: 5 star base with wheels  
Structure: Die-cast aluminum EN46100  
Gas mechanism: 99% Steel - 1% plastic - gas (nitrogen)  
Self-breaking wheels: Steel - PA6 - ABS - PU



## Upholstery material

Usage: H 140 cm. Meterage 0,72 ml.  
Current range of fabric, leather and faux leather from Arper's color chart collection. (<http://www.arper.com/en/products/materials>)

# Kinesit

Design Lievore Altherr Molina, 2014

---

## ART. 4805

### Resistance test

ANSI/BIFMA X5.1-2011/10  
ANSI/BIFMA X5.1-2011/12  
ANSI/BIFMA X5.1-2011/14  
ANSI/BIFMA X5.1-2011/17  
ANSI/BIFMA X5.1-2011/5  
ANSI/BIFMA X5.1-2011/8  
EN 1335-3:2009 7.1  
EN 1335-3:2009 7.2.2  
EN 1335-3:2009 7.2.4  
EN 1335-3:2009 7.3.1  
EN 1335-3:2009 7.3.3  
EN 1335-3:2009 4.1

ANSI/BIFMA X5.1-2011/11  
ANSI/BIFMA X5.1-2011/13  
ANSI/BIFMA X5.1-2011/16  
ANSI/BIFMA X5.1-2011/21  
ANSI/BIFMA X5.1-2011/6  
ANSI/BIFMA X5.1-2011/9  
EN 1335-3:2009 7.2.1  
EN 1335-3:2009 7.2.3  
EN 1335-3:2009 7.2.5  
EN 1335-3:2009 7.3.2  
EN 1335-3:2009 7.3.5

# Kinesit

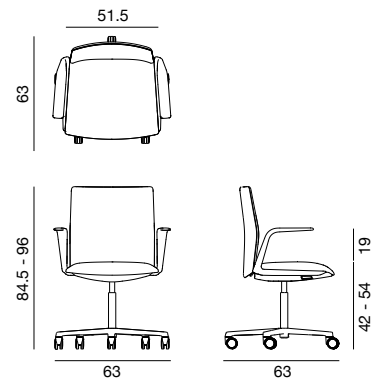
Design Lievore Altherr Molina, 2014

## ART. 4805 + armrests

Chair with polished or lacquered aluminum 5 way swivel base on castor, the same color as the base (castors Type H hard for carpets, castors Type W soft for wooden, marble and tiles floor), fitted with gas-lift mechanism for height adjustment. Exposed backshell and seat with built-in self-tensioning weight response mechanism, backrest with 3-position recline, adjustable lumbar support breathing up to 60 mm. Low backrest with front face upholstery in nylon mesh in the same color as the backshell (black or white). Seat upholstered in leather, customer's leather, faux leather, fabric or customer's fabric. Fixed armrests are made in nylon with fiber glass, in the same color as the backshell.



## Dimensions



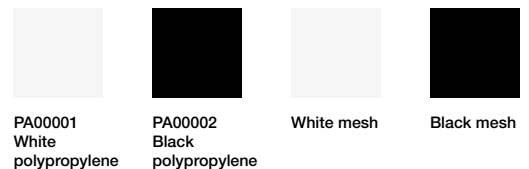
Backrest: H 41 cm  
Seat: H 42-54 cm  
L 51.5 cm  
D 44 cm  
Armrests: H 19 cm

## Shipment details:

Packaging: 1 pz = 1 box - kg 21/m<sup>3</sup>0,401  
Packaging dimensions: 65 x 65 x 95 cm  
Net weight: 16,5 kg  
Gross weight: 21 kg

### Backrest

Mesh front face upholstery.  
Backrest internal frame (88 % nylon with fiber glass) + adjustable lumbar support function (10% polypropylene)+ fixing plate (2 % metal). Backrest support mesh: 99% PES + 1% EA, white or black. Outer backrest: white polypropylene PA00001 or black PA00002. Seat/backrest fixing plate: lacquered steel.



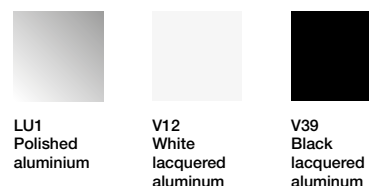
### Seat

Seat upholstery: fabric / leather / faux leather / COL / COM  
Seat base: Die-cast aluminum EN 1676  
Internal seat film: molded polypropylene  
Seat padding: cold-foamed polyurethane  
Self-Tensioning Weight Response Mechanism: 96,72 % metal + 3,28 % plastic



### Base

Type: 5 star base with wheels  
Structure: Die-cast aluminum EN46100  
Gas mechanism: 99% Steel - 1% plastic - gas (nitrogen)  
Self-breaking wheels: Steel - PA6 - ABS - PU



### Upholstery material

Usage: H 140 cm. Meterage 0,72 ml.  
Current range of fabric, leather and faux leather from Arper's color chart collection. (<http://www.arper.com/en/products/materials>)

# Kinesit

Design Lievore Altherr Molina, 2014

---

## ART. 4805 + armrests

### Resistance test

ANSI/BIFMA X5.1-2011/10  
ANSI/BIFMA X5.1-2011/12  
ANSI/BIFMA X5.1-2011/14  
ANSI/BIFMA X5.1-2011/17  
ANSI/BIFMA X5.1-2011/5  
ANSI/BIFMA X5.1-2011/8  
EN 1335-3:2009 7.1  
EN 1335-3:2009 7.2.2  
EN 1335-3:2009 7.2.4  
EN 1335-3:2009 7.3.1  
EN 1335-3:2009 7.3.3  
EN 1335-3:2009 4.1

ANSI/BIFMA X5.1-2011/11  
ANSI/BIFMA X5.1-2011/13  
ANSI/BIFMA X5.1-2011/16  
ANSI/BIFMA X5.1-2011/21  
ANSI/BIFMA X5.1-2011/6  
ANSI/BIFMA X5.1-2011/9  
EN 1335-3:2009 7.2.1  
EN 1335-3:2009 7.2.3  
EN 1335-3:2009 7.2.5  
EN 1335-3:2009 7.3.2  
EN 1335-3:2009 7.3.5

# Kinesit

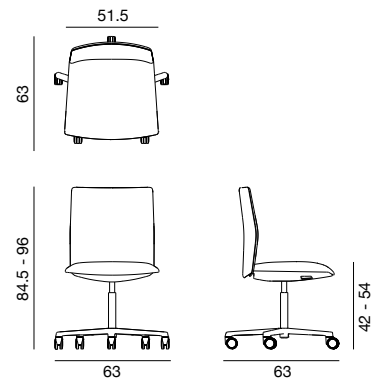
Design Lievore Altherr Molina, 2014

## ART. 4811

Chair with polished or lacquered aluminum 5 way swivel base on castors, the same color as the base (castors Type H hard for carpets, castors Type W soft for wooden, marble and tiles floor), fitted with gas-lift mechanism for height adjustment. Exposed backshell and seat with built-in self-tensioning weight response mechanism, backrest with 3-position recline, adjustable lumbar support breathing up to 60 mm. Low backrest and seat with front face upholstery available in leather, customer's leather, faux leather, fabric or customer's fabric. Fixed armrests made in nylon with fiber glass, in the same color as the backshell (black or white), and different upholsteries for seat and backrest are available upon request and with a surcharge.



## Dimensions



Backrest: H 41 cm  
Seat: H 42-54 cm  
L 51.5 cm  
D 44 cm

## Shipment details:

Packaging: 1 pz = 1 box - kg 21/m<sup>3</sup> 0,401  
Packaging dimensions: 65 x 65 x 95 cm  
Net weight: 16,5 kg  
Gross weight: 21 kg

### Backrest

Front face upholstery available in leather, COL, faux leather, fabric or COM.

Backrest internal frame (88% nylon with fiber glass) + adjustable lumbar support function (10% polypropylene) + fixing plate (2% metal). Outer backrest: white polypropylene PA00001 or black PA00002. Seat/backrest fixing plate: lacquered steel.



PA00001  
White  
polypropylene



PA00002  
Black  
polypropylene

### Seat

Seat upholstery: fabric / leather / faux leather / COL / COM

Seat base: Die-cast aluminum EN 1676

Internal seat film: molded polypropylene

Seat padding: cold-foamed polyurethane

Self-Tensioning Weight Response Mechanism: 96,72 % metal + 3,28 % plastic



White seat  
base



Black seat  
base

### Base

Type: 5 star base with wheels

Structure: Die-cast aluminum EN46100

Gas mechanism: 99% Steel - 1% plastic - gas (nitrogen)

Self-breaking wheels: Steel - PA6 - ABS - PU



LU1  
Polished  
aluminium



V12  
White  
lacquered  
aluminium



V39  
Black  
lacquered  
aluminium

### Upholstery material

Usage: H 140 cm. Meterage 0,72 ml.

Current range of fabric, leather and faux leather from Arper's color chart collection. (<http://www.arper.com/en/products/materials>)

# Kinesit

Design Lievore Altherr Molina, 2014

---

## ART. 4811

### Resistance test

ANSI/BIFMA X5.1-2011/10  
ANSI/BIFMA X5.1-2011/12  
ANSI/BIFMA X5.1-2011/14  
ANSI/BIFMA X5.1-2011/17  
ANSI/BIFMA X5.1-2011/5  
ANSI/BIFMA X5.1-2011/8  
EN 1335-3:2009 7.1  
EN 1335-3:2009 7.2.2  
EN 1335-3:2009 7.2.4  
EN 1335-3:2009 7.3.1  
EN 1335-3:2009 7.3.3  
EN 1335-3:2009 4.1

ANSI/BIFMA X5.1-2011/11  
ANSI/BIFMA X5.1-2011/13  
ANSI/BIFMA X5.1-2011/16  
ANSI/BIFMA X5.1-2011/21  
ANSI/BIFMA X5.1-2011/6  
ANSI/BIFMA X5.1-2011/9  
EN 1335-3:2009 7.2.1  
EN 1335-3:2009 7.2.3  
EN 1335-3:2009 7.2.5  
EN 1335-3:2009 7.3.2  
EN 1335-3:2009 7.3.5

# Kinesit

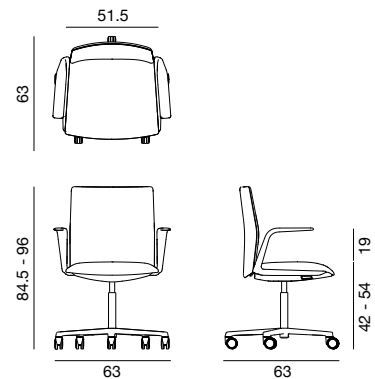
Design Lievore Altherr Molina, 2014

## ART. 4811 + armrests

Chair with polished or lacquered aluminum 5 way swivel base on castors, the same color as the base (castors Type H hard for carpets, castors Type W soft for wooden, marble and tiles floor), fitted with gas-lift mechanism for height adjustment. Exposed backshell and seat with built-in self-tensioning weight response mechanism, backrest with 3-position recline, adjustable lumbar support breathing up to 60 mm. Low backrest and seat with front face upholstery available in leather, customer's leather, faux leather, fabric or customer's fabric. Fixed armrests made in nylon fiber, in the same color as the backshell (black or white). Different upholsteries for seat and backrest are available upon request and with a surcharge.



## Dimensions



Backrest: H 41 cm  
Seat: H 42-54 cm  
L 51.5 cm  
D 44 cm  
Armrests: H 19 cm

## Shipment details:

Packaging: 1 pz = 1 box - kg 21/m<sup>3</sup>0,401  
Packaging dimensions: 65 x 65 x 95 cm  
Net weight: 16,5 kg  
Gross weight: 21 kg

### Backrest

Front face upholstery available in leather, COL, faux leather, fabric or COM.

Backrest internal frame (88% nylon with fiber glass) + adjustable lumbar support function (10% polypropylene) + fixing plate (2% metal). Outer backrest: white polypropylene PA00001 or black PA00002. Seat/backrest fixing plate: lacquered steel.



PA00001  
White  
polypropylene



PA00002  
Black  
polypropylene

### Seat

Seat upholstery: fabric / leather / faux leather / COL / COM

Seat base: Die-cast aluminum EN 1676

Internal seat film: molded polypropylene

Seat padding: cold-foamed polyurethane

Self-Tensioning Weight Response Mechanism: 96,72 % metal + 3,28 % plastic



White seat  
base



Black seat  
base

### Base

Type: 5 star base with wheels

Structure: Die-cast aluminum EN46100

Gas mechanism: 99% Steel - 1% plastic - gas (nitrogen)

Self-breaking wheels: Steel - PA6 - ABS - PU



LU1  
Polished  
aluminium



V12  
White  
lacquered  
aluminium



V39  
Black  
lacquered  
aluminium

### Upholstery material

Usage: H 140 cm. Meterage 0,72 ml.

Current range of fabric, leather and faux leather from Arper's color chart collection. (<http://www.arper.com/en/products/materials>)

# Kinesit

Design Lievore Altherr Molina, 2014

---

## ART. 4811 + armrests

### Resistance test

ANSI/BIFMA X5.1-2011/10  
ANSI/BIFMA X5.1-2011/12  
ANSI/BIFMA X5.1-2011/14  
ANSI/BIFMA X5.1-2011/17  
ANSI/BIFMA X5.1-2011/5  
ANSI/BIFMA X5.1-2011/8  
EN 1335-3:2009 7.1  
EN 1335-3:2009 7.2.2  
EN 1335-3:2009 7.2.4  
EN 1335-3:2009 7.3.1  
EN 1335-3:2009 7.3.3  
EN 1335-3:2009 4.1

ANSI/BIFMA X5.1-2011/11  
ANSI/BIFMA X5.1-2011/13  
ANSI/BIFMA X5.1-2011/16  
ANSI/BIFMA X5.1-2011/21  
ANSI/BIFMA X5.1-2011/6  
ANSI/BIFMA X5.1-2011/9  
EN 1335-3:2009 7.2.1  
EN 1335-3:2009 7.2.3  
EN 1335-3:2009 7.2.5  
EN 1335-3:2009 7.3.2  
EN 1335-3:2009 7.3.5



# Kinesit

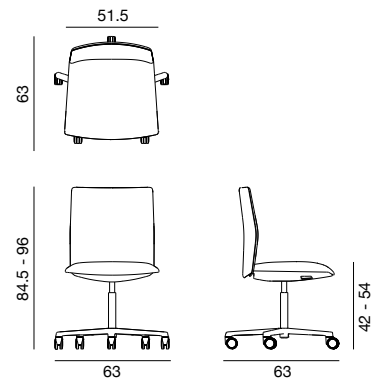
Design Lievore Altherr Molina, 2014

## ART. 4817

Chair with polished or lacquered aluminum 5 way swivel base on castors, the same color as the base (castors Type H hard for carpets, castors Type W soft for wooden, marble and tiles floor), fitted with gas-lift mechanism for height adjustment. Shell with low backrest. Seat with built-in self-tensioning weight response mechanism, backrest with 3-position recline, adjustable lumbar support breathing up to 60 mm. Shell entirely upholstered in leather, customer's leather, faux leather, fabric or customer's fabric. Fixed armrests made in nylon with fiber glass, in the same color as the underseat cover (black or white), and different upholsteries for seat and backrest are available upon request and with a surcharge.



## Dimensions



Backrest: H 41 cm  
Seat: H 42-54 cm  
L 51.5 cm  
D 44 cm

## Shipment details:

Packaging: 1 pz = 1 box - kg 21/m<sup>3</sup> 0,401  
Packaging dimensions: 65 x 65 x 95 cm  
Net weight: 16,5 kg  
Gross weight: 21 kg

## Backrest

Entirely upholstered backrest available in leather, COL, faux leather, fabric or COM.

Backrest internal frame (88% nylon with fiber glass) + adjustable lumbar support function (10% polypropylene) + fixing plate (2% metal). Seat/backrest fixing plate: lacquered steel.

## Seat

Seat upholstery: fabric / leather / faux leather / COL / COM

Seat base: Die-cast aluminum EN 1676

Internal seat film: molded polypropylene

Seat padding: cold-foamed polyurethane

Self-Tensioning Weight Response Mechanism: 96,72 % metal + 3,28 % plastic

## Base

Type: 5 star base with wheels

Structure: Die-cast aluminum EN46100

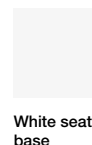
Gas mechanism: 99% Steel - 1% plastic - gas (nitrogen)

Self-breaking wheels: Steel - PA6 - ABS - PU

## Upholstery material

Usage: H 140 cm. Meterage 1,38 ml.

Current range of fabric, leather and faux leather from Arper's color chart collection. (<http://www.arper.com/en/products/materials>)



White seat base



Black seat base



LU1 Polished aluminium



V12 White lacquered aluminium



V39 Black lacquered aluminium

# Kinesit

Design Lievore Altherr Molina, 2014

---

## ART. 4817

### Resistance test

ANSI/BIFMA X5.1-2011/10  
ANSI/BIFMA X5.1-2011/12  
ANSI/BIFMA X5.1-2011/14  
ANSI/BIFMA X5.1-2011/17  
ANSI/BIFMA X5.1-2011/5  
ANSI/BIFMA X5.1-2011/8  
EN 1335-3:2009 7.1  
EN 1335-3:2009 7.2.2  
EN 1335-3:2009 7.2.4  
EN 1335-3:2009 7.3.1  
EN 1335-3:2009 7.3.3  
EN 1335-3:2009 4.1

ANSI/BIFMA X5.1-2011/11  
ANSI/BIFMA X5.1-2011/13  
ANSI/BIFMA X5.1-2011/16  
ANSI/BIFMA X5.1-2011/21  
ANSI/BIFMA X5.1-2011/6  
ANSI/BIFMA X5.1-2011/9  
EN 1335-3:2009 7.2.1  
EN 1335-3:2009 7.2.3  
EN 1335-3:2009 7.2.5  
EN 1335-3:2009 7.3.2  
EN 1335-3:2009 7.3.5

# Kinesit

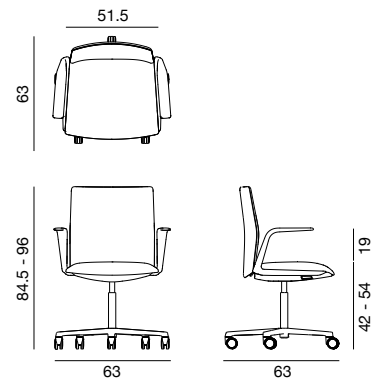
Design Lievore Altherr Molina, 2014

## ART. 4817 + armrests

Chair with polished or lacquered aluminum 5 way swivel base on castors, the same color as the base (castors Type H hard for carpets, castors Type W soft for wooden, marble and tiles floor), fitted with gas-lift mechanism for height adjustment. Shell with low backrest. Seat with built-in self-tensioning weight response mechanism, backrest with 3-position recline, adjustable lumbar support breathing up to 60 mm. Shell entirely upholstered in leather, customer's leather, faux leather, fabric or customer's fabric. Fixed armrests made in nylon with fiber glass, in the same color as the underseat cover (black or white). Different upholsteries for seat and backrest are available upon request and with a surcharge.



## Dimensions



Backrest: H 41 cm  
Seat: H 42-54 cm  
L 51.5 cm  
D 44 cm  
Armrests: H 19 cm

## Shipment details:

Packaging: 1 pz = 1 box - kg 21/m<sup>3</sup>0,401  
Packaging dimensions: 65 x 65 x 95 cm  
Net weight: 16,5 kg  
Gross weight: 21 kg

## Backrest

Entirely upholstered backrest available in leather, COL, faux leather, fabric or COM.

Backrest internal frame (88% nylon with fiber glass) + adjustable lumbar support function (10% polypropylene) + fixing plate (2% metal). Seat/backrest fixing plate: lacquered steel.

## Seat

Seat upholstery: fabric / leather / faux leather / COL / COM

Seat base: Die-cast aluminum EN 1676

Internal seat film: molded polypropylene

Seat padding: cold-foamed polyurethane

Self-Tensioning Weight Response Mechanism: 96,72 % metal + 3,28 % plastic

## Base

Type: 5 star base with wheels

Structure: Die-cast aluminum EN46100

Gas mechanism: 99% Steel - 1% plastic - gas (nitrogen)

Self-breaking wheels: Steel - PA6 - ABS - PU



White seat base



Black seat base



LU1 Polished aluminium



V12 White lacquered aluminium



V39 Black lacquered aluminium

## Upholstery material

Usage: H 140 cm. Meterage 1,38 ml.

Current range of fabric, leather and faux leather from Arper's color chart collection. (<http://www.arper.com/en/products/materials>)

# Kinesit

Design Lievore Altherr Molina, 2014

---

## ART. 4817 + armrests

### Resistance test

ANSI/BIFMA X5.1-2011/10  
ANSI/BIFMA X5.1-2011/12  
ANSI/BIFMA X5.1-2011/14  
ANSI/BIFMA X5.1-2011/17  
ANSI/BIFMA X5.1-2011/5  
ANSI/BIFMA X5.1-2011/8  
EN 1335-3:2009 7.1  
EN 1335-3:2009 7.2.2  
EN 1335-3:2009 7.2.4  
EN 1335-3:2009 7.3.1  
EN 1335-3:2009 7.3.3  
EN 1335-3:2009 4.1

ANSI/BIFMA X5.1-2011/11  
ANSI/BIFMA X5.1-2011/13  
ANSI/BIFMA X5.1-2011/16  
ANSI/BIFMA X5.1-2011/21  
ANSI/BIFMA X5.1-2011/6  
ANSI/BIFMA X5.1-2011/9  
EN 1335-3:2009 7.2.1  
EN 1335-3:2009 7.2.3  
EN 1335-3:2009 7.2.5  
EN 1335-3:2009 7.3.2  
EN 1335-3:2009 7.3.5