

Kinesit

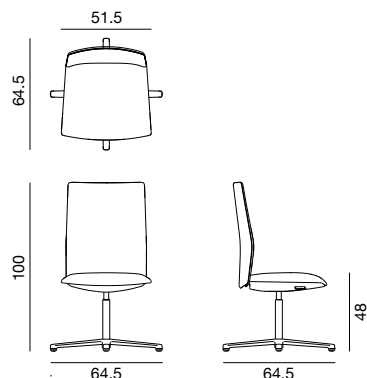
Design Lievore Altherr Molina, 2014

ART. 4820/4821

Office chair with polished or lacquered aluminum 4 way pedestal base on feet glides, available in the swivel version (Item 4820) or with return mechanism (Item 4821). Exposed backshell. Seat with built-in self-tensioning weight response mechanism, backrest with 3-position recline, adjustable lumbar support breathing up to 60 mm. Medium backrest with front face upholstery in nylon mesh in the same color as the backshell (black or white). Seat upholstered in leather, customer's leather, faux leather, fabric or customer's fabric. Fixed armrests are made in nylon with fiber glass, the same color as the backshell, are available upon request and with a surcharge.



Dimensions



Backrest: H 52 cm
Seat: H 48 cm
L 51.5 cm
D 44 cm

Shipment details:

Packaging: 1 pz = 1 box - kg 22/m³0,448
Packaging dimensions: 65 x 65 x 106 cm
Net weight: 17 kg
Gross weight: 22 kg

Backrest

Mesh front face upholstery.

Backrest internal frame (88 % nylon with fiber glass) + adjustable lumbar support function (10% polypropylene)+ fixing plate (2 % metal). Backrest support mesh: 99% PES + 1 % EA, white or black. Outer backrest: white polypropylene PA00001 or black PA00002. Seat/backrest fixing plate: lacquered steel.



Seat

Seat upholstery: fabric / leather / faux leather

Seat base: Die-cast aluminum EN 1676

Internal seat film: molded polypropylene

Seat padding: cold-foamed polyurethane

Self-Tensioning Weight Response Mechanism: 96,72 % metal + 3,28 % plastic



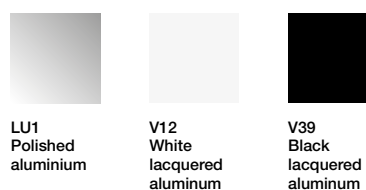
Base

Type: fixed trestle base with wheels

Structure: Die-cast aluminum EN46100

Swivel: Steel

Self-breaking wheels: Steel - PA6 - ABS - PU



Upholstery material

Usage: H 140 cm. Meterage 0,72 ml.

Current range of fabric, leather and faux leather from Arper's color chart collection. (<http://www.arper.com/en/products/materials>)

Kinesit

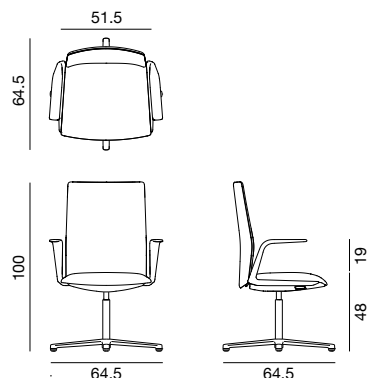
Design Lievore Altherr Molina, 2014

ART. 4820/4821 + braccioli

Office chair with polished or lacquered aluminum 4 way pedestal base on feet glides, available in the swivel version (Item 4820) or with return mechanism (Item 4821). Exposed backshell. Seat with built-in self-tensioning weight response mechanism, backrest with 3-position recline, adjustable lumbar support breathing up to 60 mm. Medium backrest with front face upholstery in nylon mesh in the same color as the backshell (black or white). Seat upholstered in leather, customer's leather, faux leather, fabric or customer's fabric. Fixed armrests are made in nylon with fiber glass, the same color as the backshell.



Dimensions



Backrest: H 52 cm
Seat: H 48 cm
L 51.5 cm
D 44 cm
Armrests: H 19 cm

Shipment details:

Packaging: 1 pz = 1 box - kg 22/m³0,448
Packaging dimensions: 65 x 65 x 106 cm
Net weight: 17 kg
Gross weight: 22 kg

Backrest

Mesh front face upholstery.

Backrest internal frame (88 % nylon with fiber glass) + adjustable lumbar support function (10% polypropylene) + fixing plate (2 % metal). Backrest support mesh: 99% PES + 1 % EA, white or black. Outer backrest: white polypropylene PA00001 or black PA00002. Seat/backrest fixing plate: lacquered steel.



PA00001
White
polypropylene



PA00002
Black
polypropylene



White mesh



Black mesh

Seat

Seat upholstery: fabric / leather / faux leather

Seat base: Die-cast aluminum EN 1676

Internal seat film: molded polypropylene

Seat padding: cold-foamed polyurethane

Self-Tensioning Weight Response Mechanism: 96,72 % metal + 3,28 % plastic



White seat
base



Black seat
base

Base

Type: fixed trestle base with wheels

Structure: Die-cast aluminum EN46100

Swivel: Steel

Self-breaking wheels: Steel - PA6 - ABS - PU



LU1
Polished
aluminium



V12
White
lacquered
aluminium



V39
Black
lacquered
aluminium

Upholstery material

Usage: H 140 cm. Meterage 0,72 ml.

Current range of fabric, leather and faux leather from Arper's color chart collection. (<http://www.arper.com/en/products/materials>)

Kinesit

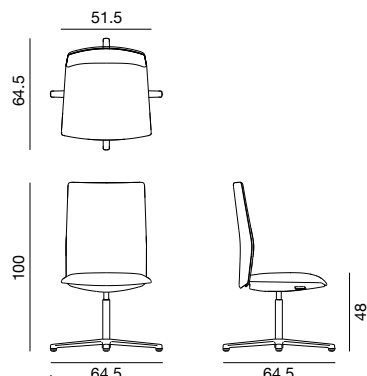
Design Lievore Altherr Molina, 2014

ART. 4826/4827

Office chair with polished or lacquered aluminum 4 way pedestal base on feet glides, available in the swivel version (Item 4826) or with return mechanism (Item 4827). Exposed backshell (black or white). Seat with built-in self-tensioning weight response mechanism, backrest with 3-position recline, adjustable lumbar support breathing up to 60 mm. Medium backrest and seat with front face upholstery available in leather, customer's leather, faux leather, fabric or customer's fabric. Fixed armrests are made in nylon with fiber glass, the same color as the backshell, and different upholsteries for seat and backrest are available upon request and with a surcharge.



Dimensions



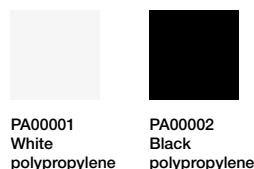
Backrest: H 52 cm
Seat: H 48 cm
L 51.5 cm
D 44 cm

Shipment details:

Packaging: 1 pz = 1 box - kg 22/m³ 0,448
Packaging dimensions: 65 x 65 x 106 cm
Net weight: 17 kg
Gross weight: 22 kg

Backrest

Front face upholstery available in leather, COL, faux leather, fabric or COM.
Backrest internal frame (88 % nylon with fiber glass) + adjustable lumbar support function (10% polypropylene)+ fixing plate (2 % metal). Outer backrest: white polypropylene PA00001 or black PA00002. Seat/backrest fixing plate: lacquered steel.



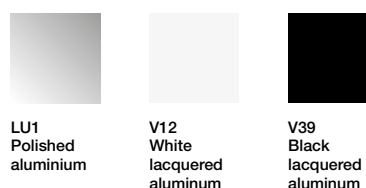
Seat

Seat upholstery: fabric / leather / faux leather
Seat base: Die-cast aluminum EN 1676
Internal seat film: molded polypropylene
Seat padding: cold-foamed polyurethane
Self-Tensioning Weight Response Mechanism: 96,72 % metal + 3,28 % plastic



Base

Type: 4 way pedestal base
Structure: Die-cast aluminum EN46100
Swivel/Return mechanism: Steel
Glides: Aluminum + PA6



Upholstery material

Usage: H 140 cm. Meterage 0,83 ml.
Current range of fabric, leather and faux leather from Arper's color chart collection. (<http://www.arper.com/en/products/materials>)

Kinesit

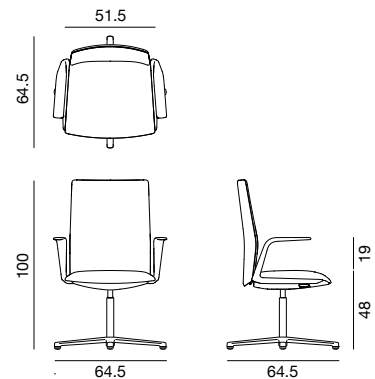
Design Lievore Altherr Molina, 2014

ART. 4826/4827 + armrests

Office chair with polished or lacquered aluminum 4 way pedestal base on feet glides, available in the swivel version (Item 4826) or with return mechanism (Item 4827). Exposed backshell (black or white). Seat with built-in self-tensioning weight response mechanism, backrest with 3-position recline, adjustable lumbar support breathing up to 60 mm. Medium backrest and seat with front face upholstery available in leather, customer's leather, faux leather, fabric or customer's fabric. Fixed armrests are made in nylon with fiber glass, the same color as the backshell. Different upholsteries for seat and backrest are available upon request and with a surcharge.



Dimensions



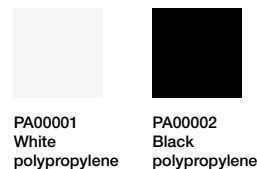
Backrest: H 52 cm
Seat: H 48 cm
L 51.5 cm
D 44 cm
Armrests: H 19 cm

Shipment details:

Packaging: 1 pz = 1 box - kg 22/m³0,448
Packaging dimensions: 65 x 65 x 106 cm
Net weight: 17 kg
Gross weight: 22 kg

Backrest

Front face upholstery available in leather, COL, faux leather, fabric or COM.
Backrest internal frame (88 % nylon with fiber glass) + adjustable lumbar support function (10% polypropylene)+ fixing plate (2 % metal). Outer backrest: white polypropylene PA00001 or black PA00002. Seat/backrest fixing plate: lacquered steel.



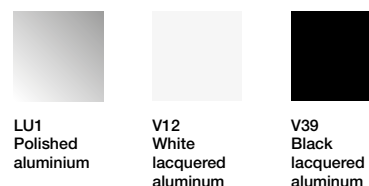
Seat

Seat upholstery: fabric / leather / faux leather
Seat base: Die-cast aluminum EN 1676
Internal seat film: molded polypropylene
Seat padding: cold-foamed polyurethane
Self-Tensioning Weight Response Mechanism: 96,72 % metal + 3,28 % plastic



Base

Type: 4 way pedestal base
Structure: Die-cast aluminum EN46100
Swivel/Return mechanism: Steel
Glides: Aluminum + PA6



Upholstery material

Usage: H 140 cm. Meterage 0,83 ml.
Current range of fabric, leather and faux leather from Arper's color chart collection. (<http://www.arper.com/en/products/materials>)

Kinesit

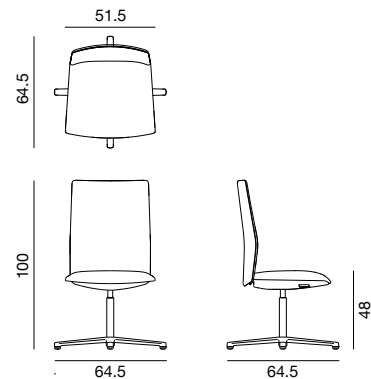
Design Lievore Altherr Molina, 2014

ART. 4832/4833

Office chair with polished or lacquered aluminum 4 way pedestal base on feet glides, available in the swivel version (Item 4832) or with return mechanism (Item 4833). Shell with medium backrest. Seat with built-in self-tensioning weight response mechanism, backrest with 3-position recline, adjustable lumbar support breathing up to 60 mm. Shell entirely upholstered in leather, customer's leather, faux leather, fabric or customer's fabric. Fixed armrests are made in nylon with fiber glass, the same color as the underseat cover (black or white), and different upholsteries for seat and backrest are available upon request and with a surcharge.



Dimensions



Backrest: H 52 cm
Seat: H 48 cm
L 51.5 cm
D 44 cm

Shipment details:

Packaging: 1 pz = 1 box - kg 22/m³ 0,448
Packaging dimensions: 65 x 65 x 106 cm
Net weight: 17 kg
Gross weight: 22 kg

Backrest

Entirely upholstered backrest available in leather, COL, faux leather, fabric or COM.

Backrest internal frame (88 % nylon with fiber glass) + adjustable lumbar support function (10% polypropylene) + fixing plate (2 % metal). Seat/backrest fixing plate: lacquered steel.

Seat

Seat upholstery: fabric / leather / faux leather / COL / COM

Seat base: Die-cast aluminum EN 1676

Internal seat film: molded polypropylene

Seat padding: cold-foamed polyurethane

Self-Tensioning Weight Response Mechanism: 96,72 % metal + 3,28 % plastic

Base

Type: 4 way pedestal base

Structure: Die-cast aluminum EN46100

Swivel/Return mechanism: Steel

Glides: Aluminum + PA6

Upholstery material

Usage: H 140 cm. Meterage 1,49 ml.

Current range of fabric, leather and faux leather from Arper's color chart collection. (<http://www.arper.com/en/products/materials>)



White seat base



Black seat base



LU1 Polished aluminium



V12 White lacquered aluminium



V39 Black lacquered aluminium

Kinesit

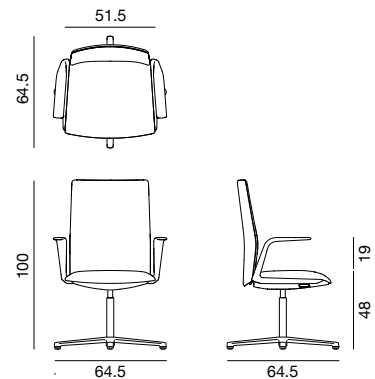
Design Lievore Altherr Molina, 2014

ART. 4832/4833 + armrests

Office chair with polished or lacquered aluminum 4 way pedestal base on feet glides, available in the swivel version (Item 4832) or with return mechanism (Item 4833). Shell with medium backrest. Seat with built-in self-tensioning weight response mechanism, backrest with 3-position recline, adjustable lumbar support breathing up to 60 mm. Shell entirely upholstered in leather, customer's leather, faux leather, fabric or customer's fabric. Fixed armrests are made in nylon with fiber glass, the same color as the underseat cover (black or white). Different upholsteries for seat and backrest are available upon request and with a surcharge.



Dimensions



Backrest: H 52 cm
Seat: H 48 cm
L 51.5 cm
D 44 cm
Armrests: H 19 cm

Shipment details:

Packaging: 1 pz = 1 box - kg 22/m³0,448
Packaging dimensions: 65 x 65 x 106 cm
Net weight: 17 kg
Gross weight: 22 kg

Backrest

Entirely upholstered backrest available in leather, COL, faux leather, fabric or COM.

Backrest internal frame (88 % nylon with fiber glass) + adjustable lumbar support function (10% polypropylene) + fixing plate (2 % metal). Seat/backrest fixing plate: lacquered steel.

Seat

Seat upholstery: fabric / leather / faux leather / COL / COM

Seat base: Die-cast aluminum EN 1676

Internal seat film: molded polypropylene

Seat padding: cold-foamed polyurethane

Self-Tensioning Weight Response Mechanism: 96,72 % metal + 3,28 % plastic

Base

Type: 4 way pedestal base

Structure: Die-cast aluminum EN46100

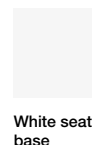
Swivel/Return mechanism: Steel

Glides: Aluminum + PA6

Upholstery material

Usage: H 140 cm. Meterage 1,49 ml.

Current range of fabric, leather and faux leather from Arper's color chart collection. (<http://www.arper.com/en/products/materials>)



White seat base



Black seat base



LU1 Polished aluminium



V12 White lacquered aluminium



V39 Black lacquered aluminium