

# Kinesit

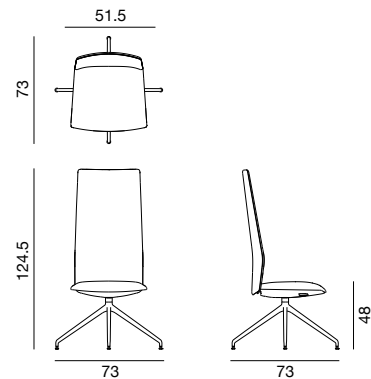
Design Lievore Altherr Molina, 2014

## ART. 4836

Executive chair with aluminum swivel trestle base and glides. Shell with high backrest. Seat with built-in self-tensioning weight response mechanism, backrest with 3-position recline. Shell entirely upholstered in leather, customer's leather, faux leather, fabric or customer's fabric. Fixed armrests are made in nylon with fiber glass, in the same color as the underseat cover (black or white), are available upon request and with a surcharge.



## Dimensions



Backrest: H 76 cm  
Seat: H 48 cm  
L 51.5 cm  
D 44 cm

## Shipment details:

Packaging: 1 pz = 1 box - kg 24/m<sup>3</sup> 0,549  
Packaging dimensions: 65 x 65 x 130 cm  
Net weight: 18,5 kg  
Gross weight: 24 kg

## Backrest

Entirely upholstered backrest available in leather, COL, faux leather, fabric or COM.

Backrest internal frame in steel.

Cold-foamed polyurethane backrest.

Seat/backrest fixing plate: lacquered steel.

## Seat

Seat upholstery: fabric / leather / faux leather / COL / COM

Seat base: Die-cast aluminum EN 1676

Internal seat film: molded polypropylene

Seat padding: cold-foamed polyurethane

Self-Tensioning Weight Response Mechanism: 96,72 % metal + 3,28 % plastic

## Base

Type: 5 way swivel base with glides

Structure: Die-cast aluminum EN46100

Swivel: Steel

Glides: HDPE + Steel

## Upholstery material

Usage: H 140 cm. Meterage 1,76 ml.

Current range of fabric, leather and faux leather from Arper's color chart collection. (<http://www.arper.com/en/products/materials>)



White seat base



Black seat base



LU1 Polished aluminium



V12 White lacquered aluminium



V39 Black lacquered aluminium

# Kinesit

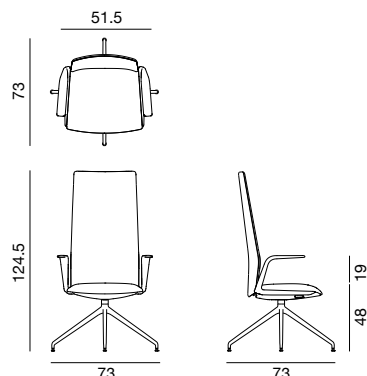
Design Lievore Altherr Molina, 2014

## ART. 4836 + armrests

Executive chair with aluminum swivel trestle base and glides. Shell with high backrest. Seat with built-in self-tensioning weight response mechanism, backrest with 3-position recline. Shell entirely upholstered in leather, customer's leather, faux leather, fabric or customer's fabric. Fixed armrests are made in nylon with fiber glass, in the same color as the underseat cover (black or white).



## Dimensions



Backrest: H 76 cm  
Seat: H 48 cm  
L 51.5 cm  
D 44 cm  
Armrests: H 19 cm

## Shipment details:

Packaging: 1 pz = 1 box - kg 24/m<sup>3</sup>0,549  
Packaging dimensions: 65 x 65 x 130 cm  
Net weight: 18,5 kg  
Gross weight: 24 kg

## Backrest

Entirely upholstered backrest available in leather, COL, faux leather, fabric or COM.

Backrest internal frame in steel.

Cold-foamed polyurethane backrest.

Seat/backrest fixing plate: lacquered steel.

## Seat

Seat upholstery: fabric / leather / faux leather / COL / COM

Seat base: Die-cast aluminum EN 1676

Internal seat film: molded polypropylene

Seat padding: cold-foamed polyurethane

Self-Tensioning Weight Response Mechanism: 96,72 % metal + 3,28 % plastic

## Base

Type: 5 way swivel base with glides

Structure: Die-cast aluminum EN46100

Swivel: Steel

Glides: HDPE + Steel

## Upholstery material

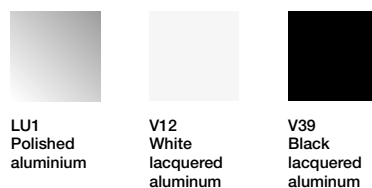
Usage: H 140 cm. Meterage 1,76 ml.

Current range of fabric, leather and faux leather from Arper's color chart collection. (<http://www.arper.com/en/products/materials>)



White seat base

Black seat base



LU1 Polished aluminium

V12 White lacquered aluminium

V39 Black lacquered aluminium