

Kinesit

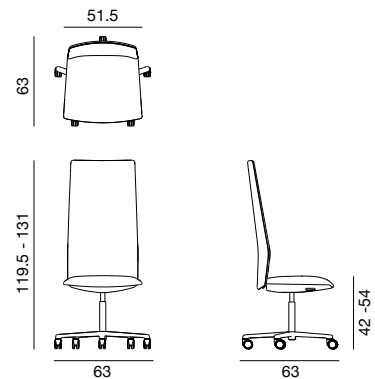
Design Lievore Altherr Molina, 2014

ART. 4841

Executive chair with polished or lacquered aluminum 5 way swivel base on castors, the same color as the base (castors Type H hard for carpets, castors Type W soft for wooden, marble and tiles floor), fitted with gas-lift mechanism for height adjustment. Shell with high backrest. Seat with built-in self-tensioning weight response mechanism, backrest with 3-position recline. Shell entirely upholstered in leather, customer's leather, faux leather, fabric or customer's fabric. Fixed armrests are made in nylon with fiber glass, in the same color as the underseat cover (black or white), are available upon request and with a surcharge.



Dimensions



Backrest: H 76 cm
Seat: H 42-54 cm
L 51.5 cm
D 44 cm

Shipment details:

Packaging: 1 pz = 1 box - kg 24/m³ 0,549
Packaging dimensions: 65 x 65 x 130 cm
Net weight: 18,5 kg
Gross weight: 24 kg

Backrest

Entirely upholstered backrest available in leather, COL, faux leather, fabric or COM.

Backrest internal frame in steel.

Cold-foamed polyurethane backrest.

Seat/backrest fixing plate: lacquered steel.

Seat

Seat upholstery: fabric / leather / faux leather / COL / COM

Seat base: Die-cast aluminum EN 1676

Internal seat film: molded polypropylene

Seat padding: cold-foamed polyurethane

Self-Tensioning Weight Response Mechanism: 96,72 % metal + 3,28 % plastic

Base

Type: 5 star base with wheels

Structure: Die-cast aluminum EN46100

Gas mechanism: 99% Steel - 1% plastic - gas (nitrogen)

Self-breaking wheels: Steel - PA6 - ABS - PU



White seat base



Black seat base



LU1 Polished aluminium



V12 White lacquered aluminium



V39 Black lacquered aluminium

Upholstery material

Usage: H 140 cm. Meterage 1,76 ml.

Current range of fabric, leather and faux leather from Arper's color chart collection. (<http://www.arper.com/en/products/materials>)

Kinesit

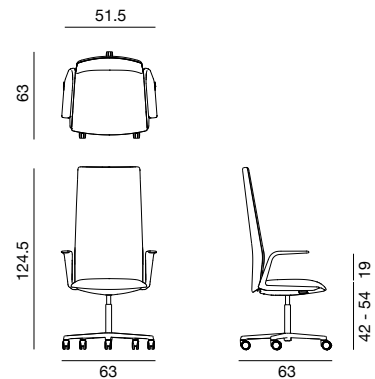
Design Lievore Altherr Molina, 2014

ART. 4841 + armrests

Executive chair with polished or lacquered aluminum 5 way swivel base on castors, the same color as the base (castors Type H hard for carpets, castors Type W soft for wooden, marble and tiles floor), fitted with gas-lift mechanism for height adjustment. Shell with high backrest. Seat with built-in self-tensioning weight response mechanism, backrest with 3-position recline. Shell entirely upholstered in leather, customer's leather, faux leather, fabric or customer's fabric. Fixed armrests are made in nylon with fiber glass, in the same color as the underseat cover (black or white).



Dimensions



Backrest: H 76 cm
Seat: H 42-54 cm
L 51.5 cm
D 44 cm
Armrests: H 19 cm

Shipment details:

Packaging: 1 pz = 1 box - kg 24/m³0,549
Packaging dimensions: 65 x 65 x 130 cm
Net weight: 18,5 kg
Gross weight: 24 kg

Backrest

Entirely upholstered backrest available in leather, COL, faux leather, fabric or COM.

Backrest internal frame in steel.

Cold-foamed polyurethane backrest.

Seat/backrest fixing plate: lacquered steel.

Seat

Seat upholstery: fabric / leather / faux leather / COL / COM

Seat base: Die-cast aluminum EN 1676

Internal seat film: molded polypropylene

Seat padding: cold-foamed polyurethane

Self-Tensioning Weight Response Mechanism: 96,72 % metal + 3,28 % plastic

Base

Type: 5 star base with wheels

Structure: Die-cast aluminum EN46100

Gas mechanism: 99% Steel - 1% plastic - gas (nitrogen)

Self-breaking wheels: Steel - PA6 - ABS - PU

Upholstery material

Usage: H 140 cm. Meterage 1,76 ml.

Current range of fabric, leather and faux leather from Arper's color chart collection. (<http://www.arper.com/en/products/materials>)



White seat base



Black seat base



LU1 Polished aluminium



V12 White lacquered aluminium



V39 Black lacquered aluminium