

# Kinesit

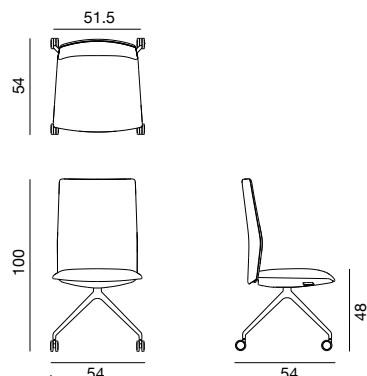
Design Lievore Altherr Molina, 2014

## ART. 4819

Office chair with aluminum fixed trestle base and castors, the same color as the base (castors Type H hard for carpets, castors Type W soft for wooden, marble and tiles floor) and exposed backshell. Seat with built-in self-tensioning weight response mechanism, backrest with 3-position recline, adjustable lumbar support breathing up to 60 mm. Medium backrest with front face upholstery in nylon mesh in the same color as the backshell (black or white). Seat upholstered in leather, customer's leather, faux leather, fabric or customer's fabric. Fixed armrests are made in nylon with fiber glass, the same color as the backshell, are available upon request and with a surcharge.



## Dimensions



Backrest: H 52 cm  
Seat: H 48 cm  
L 51.5 cm  
D 44 cm

## Shipment details:

Packaging: 1 pz = 1 box - kg 22/m<sup>3</sup> 0,448  
Packaging dimensions: 65 x 65 x 106 cm  
Net weight: 17 kg  
Gross weight: 22 kg

## Backrest

Mesh front face upholstery.  
Backrest internal frame (88 % nylon with fiber glass) + adjustable lumbar support function (10% polypropylene) + fixing plate (2 % metal). Backrest support mesh: 99% PES + 1 % EA, white or black. Outer backrest: white polypropylene PA00001 or black PA00002. Seat/backrest fixing plate: lacquered steel.



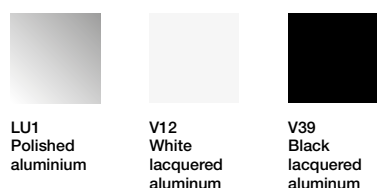
## Seat

Seat upholstery: fabric / leather / faux leather / COL / COM  
Seat base: Die-cast aluminum EN 1676  
Internal seat film: molded polypropylene  
Seat padding: cold-foamed polyurethane  
Self-Tensioning Weight Response Mechanism: 96,72 % metal + 3,28 % plastic



## Base

Type: fixed trestle base with wheels  
Structure: Die-cast aluminum EN46100  
Swivel: Steel  
Self-breaking wheels: Steel - PA6 - ABS - PU



## Upholstery material

Usage: H 140 cm. Meterage 0,72 ml.  
Current range of fabric, leather and faux leather from Arper's color chart collection. (<http://www.arper.com/en/products/materials>)

# Kinesit

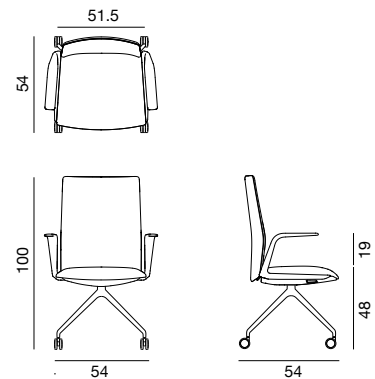
Design Lievore Altherr Molina, 2014

## ART. 4819 + armrests

Office chair with aluminum fixed trestle base and castors, the same color as the base (castors Type H hard for carpets, castors Type W soft for wooden, marble and tiles floor) and exposed backshell. Seat with built-in self-tensioning weight response mechanism, backrest with 3-position recline, adjustable lumbar support breathing up to 60 mm. Medium backrest with front face upholstery in nylon mesh in the same color as the backshell (black or white). Seat upholstered in leather, customer's leather, faux leather, fabric or customer's fabric. Fixed armrests are made in nylon with fiber glass, the same color as the backshell.



## Dimensions



Backrest: H 52 cm  
Seat: H 48 cm  
L 51.5 cm  
D 44 cm  
Armrests: H 19 cm

## Shipment details:

Packaging: 1 pz = 1 box - kg 22/m<sup>3</sup>0,448  
Packaging dimensions: 65 x 65 x 106 cm  
Net weight: 17 kg  
Gross weight: 22 kg

### Backrest

Mesh front face upholstery.  
Backrest internal frame (88 % nylon with fiber glass) + adjustable lumbar support function (10% polypropylene) + fixing plate (2 % metal). Backrest support mesh: 99% PES + 1 % EA, white or black. Outer backrest: white polypropylene PA00001 or black PA00002. Seat/backrest fixing plate: lacquered steel.



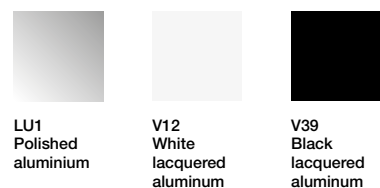
### Seat

Seat upholstery: fabric / leather / faux leather / COL / COM  
Seat base: Die-cast aluminum EN 1676  
Internal seat film: molded polypropylene  
Seat padding: cold-foamed polyurethane  
Self-Tensioning Weight Response Mechanism: 96,72 % metal + 3,28 % plastic



### Base

Type: fixed trestle base with wheels  
Structure: Die-cast aluminum EN46100  
Swivel: Steel  
Self-breaking wheels: Steel - PA6 - ABS - PU



### Upholstery material

Usage: H 140 cm. Meterage 0,72 ml.  
Current range of fabric, leather and faux leather from Arper's color chart collection. (<http://www.arper.com/en/products/materials>)

# Kinesit

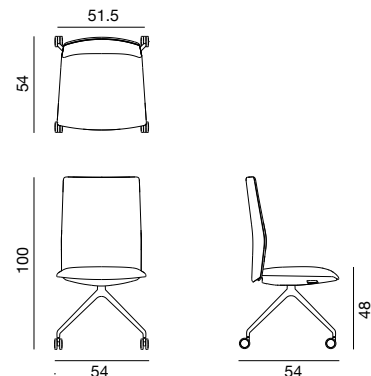
Design Lievore Altherr Molina, 2014

## ART. 4825

Office chair with aluminum fixed trestle base and castors, the same color as the base (castors Type H hard for carpets, castors Type W soft for wooden, marble and tiles floor) and exposed backshell (black or white). Seat with built-in self-tensioning weight response mechanism, backrest with 3-position recline, adjustable lumbar support breathing up to 60 mm. Medium backrest and seat with front face upholstery available in leather, customer's leather, faux leather, fabric or customer's fabric. Fixed armrests are made in nylon with fiber glass, the same color as the backshell, and different upholsteries for seat and backrest are available upon request and with a surcharge.



## Dimensions



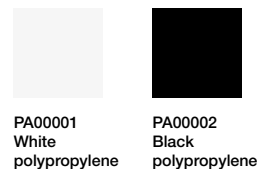
Backrest: H 52 cm  
Seat: H 48 cm  
L 51.5 cm  
D 44 cm

## Shipment details:

Packaging: 1 pz = 1 box - kg 22/m<sup>3</sup> 0,448  
Packaging dimensions: 65 x 65 x 106 cm  
Net weight: 17 kg  
Gross weight: 22 kg

## Backrest

Front face upholstery available in leather, COL, faux leather, fabric or COM.  
Backrest internal frame (88 % nylon with fiber glass) + adjustable lumbar support function (10% polypropylene)+ fixing plate (2 % metal). Outer backrest: white polypropylene PA00001 or black PA00002. Seat/backrest fixing plate: lacquered steel.



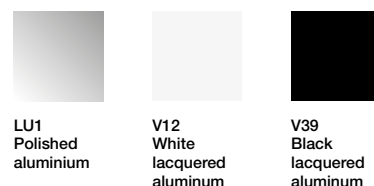
## Seat

Seat upholstery: fabric / leather / faux leather / COL / COM  
Seat base: Die-cast aluminum EN 1676  
Internal seat film: molded polypropylene  
Seat padding: cold-foamed polyurethane  
Self-Tensioning Weight Response Mechanism: 96,72 % metal + 3,28 % plastic



## Base

Type: fixed trestle base with wheels  
Structure: Die-cast aluminum EN46100  
Swivel: Steel  
Self-breaking wheels: Steel - PA6 - ABS - PU



## Upholstery material

Usage: H 140 cm. Meterage 0,83 ml.  
Current range of fabric, leather and faux leather from Arper's color chart collection. (<http://www.arper.com/en/products/materials>)

# Kinesit

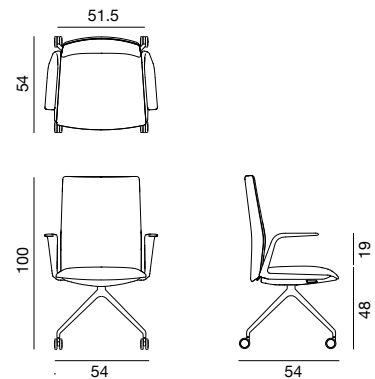
Design Lievore Altherr Molina, 2014

## ART. 4825 + armrests

Office chair with aluminum fixed trestle base and castors, the same color as the base (castors Type H hard for carpets, castors Type W soft for wooden, marble and tiles floor) and exposed backshell (black or white). Seat with built-in self-tensioning weight response mechanism, backrest with 3-position recline, adjustable lumbar support breathing up to 60 mm. Medium backrest and seat with front face upholstery available in leather, customer's leather, faux leather, fabric or customer's fabric. Fixed armrests are made in nylon with fiber glass, the same color as the backshell. Different upholsteries for seat and backrest are available upon request and with a surcharge.



## Dimensions



Backrest: H 52 cm  
Seat: H 48 cm  
L 51.5 cm  
D 44 cm  
Armrests: H 19 cm

## Shipment details:

Packaging: 1 pz = 1 box - kg 22/m<sup>3</sup>0,448  
Packaging dimensions: 65 x 65 x 106 cm  
Net weight: 17 kg  
Gross weight: 22 kg

## Backrest

Front face upholstery available in leather, COL, faux leather, fabric or COM.  
Backrest internal frame (88 % nylon with fiber glass) + adjustable lumbar support function (10% polypropylene)+ fixing plate (2 % metal). Outer backrest: white polypropylene PA00001 or black PA00002. Seat/backrest fixing plate: lacquered steel.



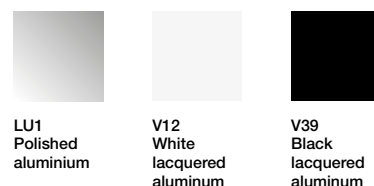
## Seat

Seat upholstery: fabric / leather / faux leather / COL / COM  
Seat base: Die-cast aluminum EN 1676  
Internal seat film: molded polypropylene  
Seat padding: cold-foamed polyurethane  
Self-Tensioning Weight Response Mechanism: 96,72 % metal + 3,28 % plastic



## Base

Type: fixed trestle base with wheels  
Structure: Die-cast aluminum EN46100  
Swivel: Steel  
Self-breaking wheels: Steel - PA6 - ABS - PU



## Upholstery material

Usage: H 140 cm. Meterage 0,83 ml.  
Current range of fabric, leather and faux leather from Arper's color chart collection. (<http://www.arper.com/en/products/materials>)

# Kinesit

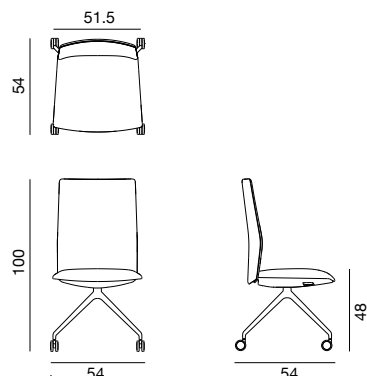
Design Lievore Altherr Molina, 2014

## ART. 4831

Office chair with aluminum fixed trestle base and castors, the same color as the base (castors Type H hard for carpets, castors Type W soft for wooden, marble and tiles floor) and shell with medium backrest. Seat with built-in self-tensioning weight response mechanism, backrest with 3-position recline, adjustable lumbar support breathing up to 60 mm. Shell entirely upholstered in leather, customer's leather, faux leather, fabric or customer's fabric. Fixed armrests are made in nylon with fiber glass, the same color as the underseat cover (black or white), and different upholsteries for seat and backrest are available upon request and with a surcharge.



## Dimensions



Backrest: H 52 cm  
Seat: H 48 cm  
L 51.5 cm  
D 44 cm

## Shipment details:

Packaging: 1 pz = 1 box - kg 22/m<sup>3</sup> 0,448  
Packaging dimensions: 65 x 65 x 106 cm  
Net weight: 17 kg  
Gross weight: 22 kg

## Backrest

Entirely upholstered backrest available in leather, COL, faux leather, fabric or COM.

Backrest internal frame (88 % nylon with fiber glass) + adjustable lumbar support function (10% polypropylene) + fixing plate (2 % metal). Seat/backrest fixing plate: lacquered steel.

## Seat

Seat upholstery: fabric / leather / faux leather / COL / COM

Seat base: Die-cast aluminum EN 1676

Internal seat film: molded polypropylene

Seat padding: cold-foamed polyurethane

Self-Tensioning Weight Response Mechanism: 96,72 % metal + 3,28 % plastic

## Base

Type: fixed trestle base with wheels

Structure: Die-cast aluminum EN46100

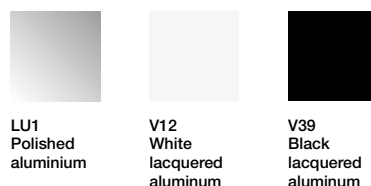
Swivel: Steel

Self-breaking wheels: Steel - PA6 - ABS - PU

## Upholstery material

Usage: H 140 cm. Meterage 1,49 ml.

Current range of fabric, leather and faux leather from Arper's color chart collection. (<http://www.arper.com/en/products/materials>)



# Kinesit

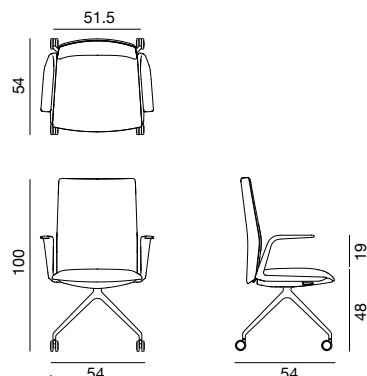
Design Lievore Altherr Molina, 2014

## ART. 4831 + armrests

Office chair with aluminum fixed trestle base and castors, the same color as the base (castors Type H hard for carpets, castors Type W soft for wooden, marble and tiles floor) and shell with medium backrest. Seat with built-in self-tensioning weight response mechanism, backrest with 3-position recline, adjustable lumbar support breathing up to 60 mm. Shell entirely upholstered in leather, customer's leather, faux leather, fabric or customer's fabric. Fixed armrests are made in nylon with fiber glass, the same color as the underseat cover (black or white). Different upholsteries for seat and backrest are available upon request and with a surcharge.



## Dimensions



Backrest: H 52 cm  
Seat: H 48 cm  
L 51.5 cm  
D 44 cm  
Armrests: H 19 cm

## Shipment details:

Packaging: 1 pz = 1 box - kg 22/m<sup>3</sup>0,448  
Packaging dimensions: 65 x 65 x 106 cm  
Net weight: 17 kg  
Gross weight: 22 kg

## Backrest

Entirely upholstered backrest available in leather, COL, faux leather, fabric or COM.

Backrest internal frame (88 % nylon with fiber glass) + adjustable lumbar support function (10% polypropylene) + fixing plate (2 % metal). Seat/backrest fixing plate: lacquered steel.

## Seat

Seat upholstery: fabric / leather / faux leather / COL / COM

Seat base: Die-cast aluminum EN 1676

Internal seat film: molded polypropylene

Seat padding: cold-foamed polyurethane

Self-Tensioning Weight Response Mechanism: 96,72 % metal + 3,28 % plastic

## Base

Type: fixed trestle base with wheels

Structure: Die-cast aluminum EN46100

Swivel: Steel

Self-breaking wheels: Steel - PA6 - ABS - PU

## Upholstery material

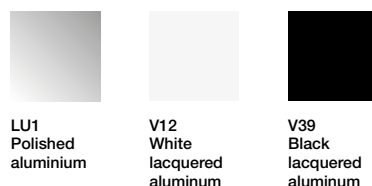
Usage: H 140 cm. Meterage 1,49 ml.

Current range of fabric, leather and faux leather from Arper's color chart collection. (<http://www.arper.com/en/products/materials>)



White seat base

Black seat base



LU1 Polished aluminium

V12 White lacquered aluminium

V39 Black lacquered aluminium